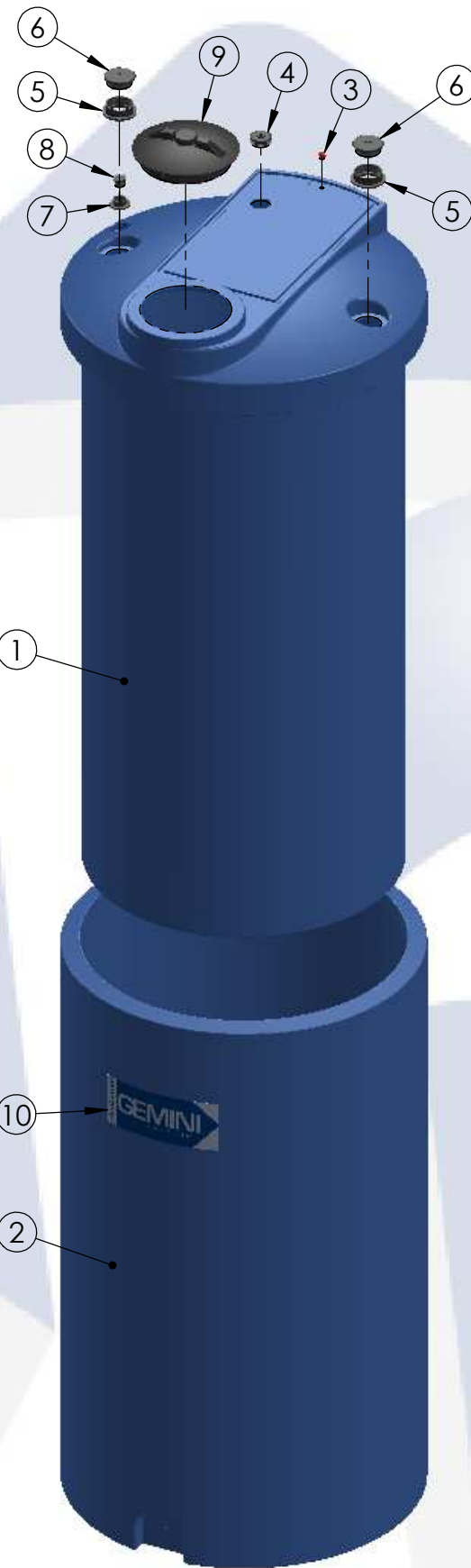




**ISO VIEW  
(ASSEMBLED)**



**TRIMETRIC VIEW  
(EXPLODED)**

160 GALLON GEMINI	PART NUMBER	
	BLUE	NATURAL
STANDARD (1.5 SPG)	01-29877	01-29939
HD (1.9 SPG)	01-29940	01-29941

ITEM NO.	DESCRIPTION	QTY.
1	160G GEMINI PRIMARY TANK	1
2	160G GEMINI SECONDARY TANK	1
3	RED CAPLUG / O-RING SUB-ASSY	1
4	2" CAPLUG / GROMMET SUB-ASSY	1
5	2" FNPT SPIN WELD FITTING, PE	2
6	2" MPT PLUG, PE, BLACK	2
7	3/4" FNPT SPIN WELD FITTING, PE	1
8	3/4" THREADED PLUG, PE	1
9	8" TWIST LID ASSEMBLY	1
10	LOGO	1

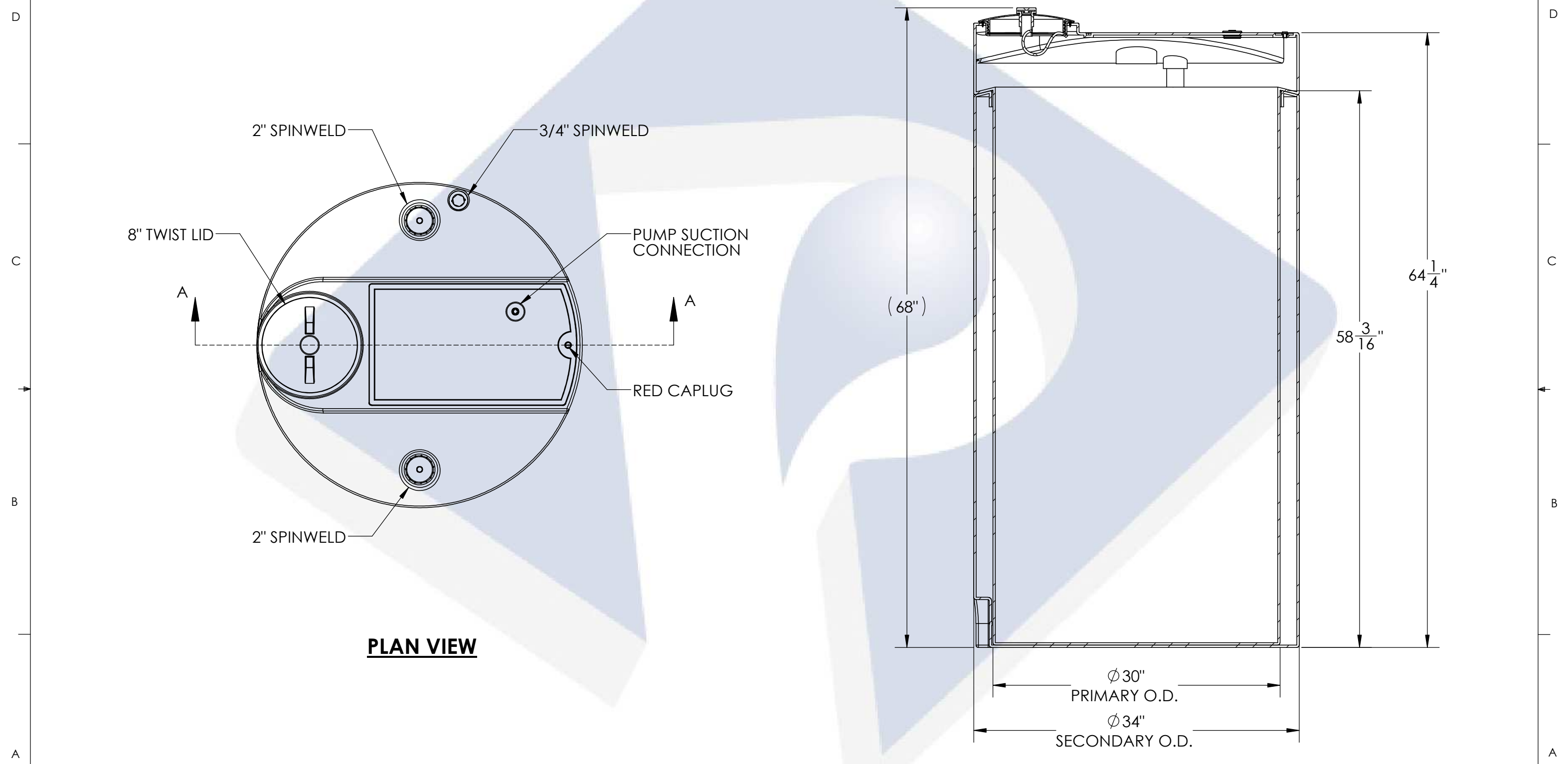
**NOTES:**

- CAPACITY: 160 GAL. NOMINAL
- APPROXIMATE SHIPPING WEIGHT: 160 LBS (INCLUDES PALLET)
- TANK MATERIAL: LLDPE W/ UV INHIBITOR
- SERVICE PRESSURE: ATMOSPHERIC

**PROPRIETARY AND CONFIDENTIAL**  
THE INFORMATION CONTAINED IN THIS DRAWING IS THE SOLE PROPERTY OF PEABODY ENGINEERING. ANY REPRODUCTION IN PART OR AS A WHOLE WITHOUT THE WRITTEN PERMISSION OF PEABODY ENGINEERING IS PROHIBITED.

UNLESS OTHERWISE SPECIFIED:		NAME	DATE	
DIMENSIONS ARE IN INCHES TOLERANCES: ±1/4" ANGULAR: ± .5° ONE PLACE DECIMAL: ± .25 TWO PLACE DECIMAL: ± .125 THREE PLACE DECIMAL: ± .063		DRAWN	MSM 11/25/13	
TANK MATERIAL: LLDPE	INNER TANK S/N:	CHECKED		PROJECT: <b>160 GALLON GEMINI TANK ASSEMBLY</b>
OUTER TANK S/N:	CUSTOMER PO#	ENG APPR.		CUSTOMER: <b>PEABODY STANDARD</b>
DO NOT SCALE DRAWING		MFG APPR.		SITE/LOCATION: -
		Q.A.		DRAWING#: <b>SEE TABLE</b>
		<b>ALTERNATIVE VERSIONS</b>		SIZE: <b>B</b>
		MATERIALS: XLPE, PPL, PVDF COLORS: NATURAL, BLUE OR BLACK AVAILABLE WITH FRP WRAP		DESC.: <b>PEABODY 160 GALLON GEMINI</b>
		CALL FOR PART NUMBERS		REV.: <b>B</b>
		SCALE: 1:16		SHEET 1 OF 2

8 7 6 5 4 3 2 1



2" SPINWELD

3/4" SPINWELD

8" TWIST LID

PUMP SUCTION CONNECTION

RED CAPLUG

2" SPINWELD

**PLAN VIEW**

(68")

64 <sup>1</sup>/<sub>4</sub>"

58 <sup>3</sup>/<sub>16</sub>"

Ø 30"  
PRIMARY O.D.

Ø 34"  
SECONDARY O.D.

SECTION A-A  
SCALE 1 : 10



PROJECT:  
160G GEMINI TANK FOR CUSTOMER, REV.B

SCALE: 1:16

SHEET 2 OF 2

8 7 6 5 4 3 2 1