

8

7

6

5

4

3

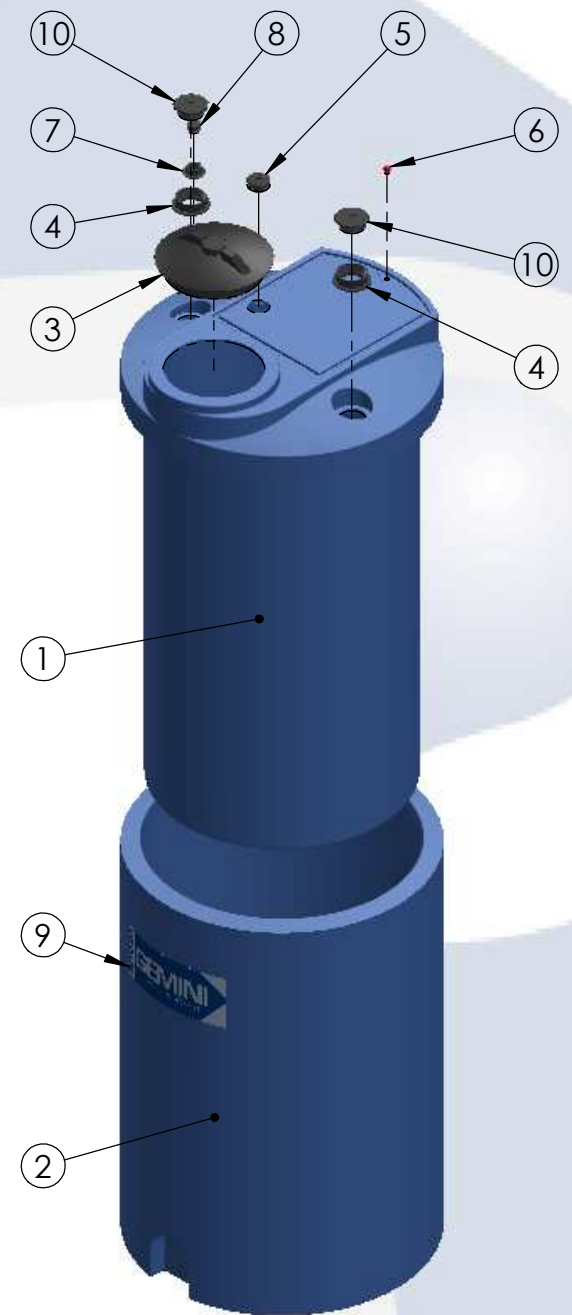
2

1

65 GALLON GEMINI	PART NUMBER	
	BLUE	NATURAL
STANDARD (1.5 SPG)	01-29920	01-29921
HD (1.9 SPG)	01-29922	01-29923



ISOMETRIC VIEW
(ASSEMBLED)



ISOMETRIC VIEW
(EXPLODED)

ITEM NO.	DESCRIPTION	QTY.
1	65G GEMINI PRIMARY TANK	1
2	65G GEMINI SECONDARY TANK	1
3	8" TWIST LID ASSEMBLY	1
4	2" FNPT SPIN WELD FITTING, PE, BLACK	2
5	2" CAPLUG / GROMMET SUB-ASSY	1
6	RED CAPLUG / O-RING SUB-ASSY	1
7	3/4" FNPT SPIN WELD FITTING, PE	1
8	3/4" MPT PLUG, PE, BLACK	1
9	MOLD IN GRAPHIC	1
10	2" MPT PLUG, PE, BLACK	2

NOTES:

- CAPACITY: 65 GAL. NOMINAL
- APPROXIMATE WEIGHT: 48 LBS
- TANK MATERIAL: LLDPE W/ UV INHIBITOR
- SERVICE PRESSURE: ATMOSPHERIC

SCALE 1 : 16

PROPRIETARY AND CONFIDENTIAL
THE INFORMATION CONTAINED IN THIS DRAWING IS THE SOLE PROPERTY OF PEABODY ENGINEERING. ANY REPRODUCTION IN PART OR AS A WHOLE WITHOUT THE WRITTEN PERMISSION OF PEABODY ENGINEERING IS PROHIBITED.

UNLESS OTHERWISE SPECIFIED:		NAME	DATE	
DIMENSIONS ARE IN INCHES TOLERANCES: ±1/4" ANGULAR: ± .5° ONE PLACE DECIMAL: ± .25 TWO PLACE DECIMAL: ± .125 THREE PLACE DECIMAL: ± .063		DRAWN	MSM	
TANK MATERIAL:	LLDPE	CHECKED		PROJECT: 65G GEMINI TANK ASSEMBLY
INNER TANK S/N:		ENG APPR.		CUSTOMER: PEABODY STANDARD
OUTER TANK S/N:		MFG APPR.		SITE/LOCATION: -
CUSTOMER PO#		Q.A.		DRAWING#: SEE TABLE
DO NOT SCALE DRAWING		ALTERNATIVE VERSIONS		SIZE: B DESC.: PEABODY 65 GALLON GEMINI REV.: A
		MATERIALS: XLPE, PPL, PVDF COLORS: NATURAL, BLUE OR BLACK AVAILABLE WITH FRP WRAP		SCALE: 1:12 SHEET 1 OF 2
		CALL FOR PART NUMBERS		

D

C

B

A

D

C

B

A

8

7

6

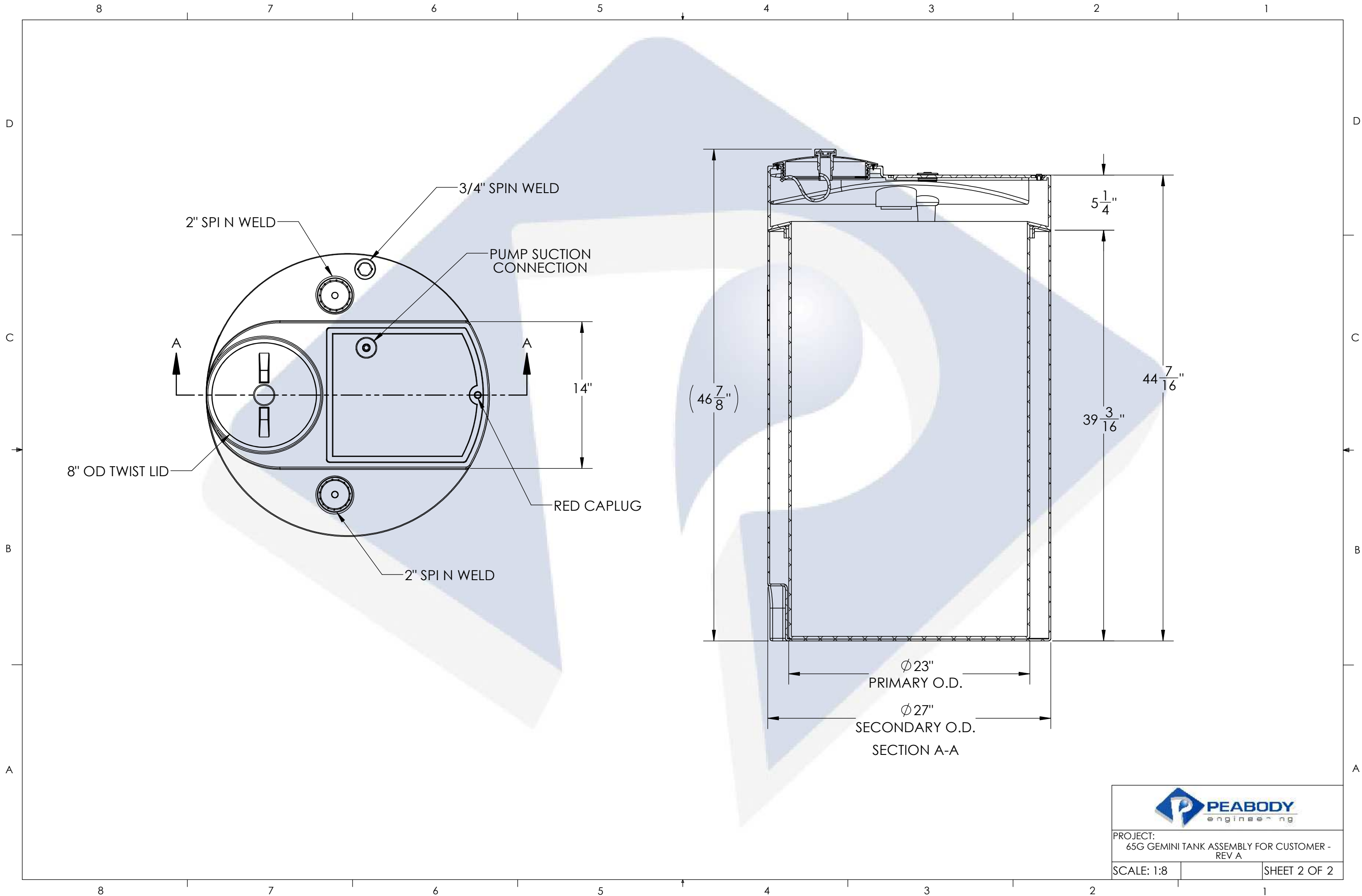
5

4

3

2

1



PROJECT:
65G GEMINI TANK ASSEMBLY FOR CUSTOMER -
REV A

SCALE: 1:8

SHEET 2 OF 2