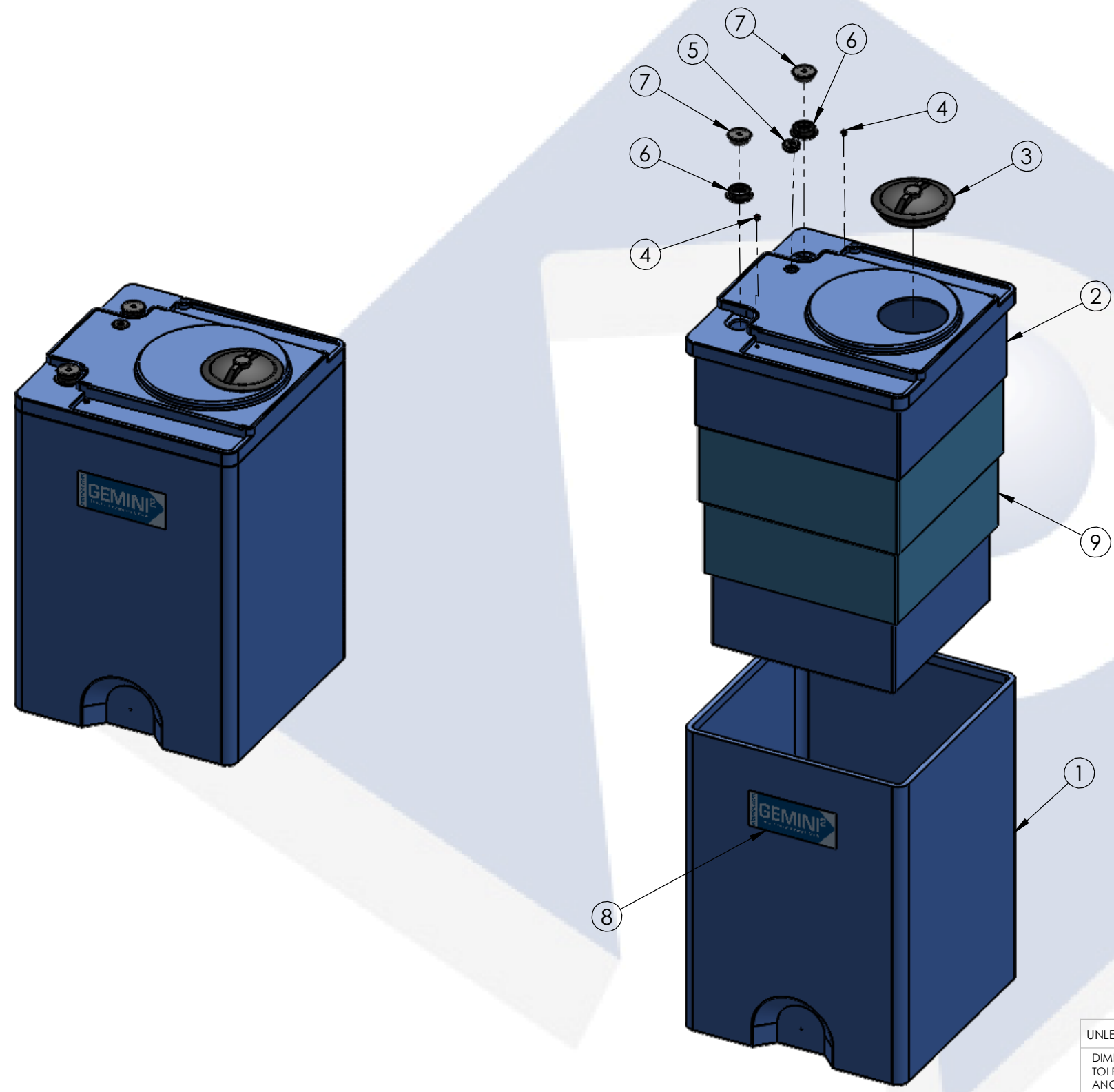


120 GALLON GEMINI <sup>2</sup>	PART NUMBER	
	BLUE	NATURAL
STANDARD (1.5 SPG)	01-29671	01-29675
HD (1.9 SPG)	01-30076	01-30080



TOP LEVEL ASSEMBLY		
ITEM NO.	DESCRIPTION	QTY.
1	GEMINI <sup>2</sup> , 120G OUTER TANK	1
2	GEMINI <sup>2</sup> , 120G INNER TANK	1
3	8" TWIST LID ASSEMBLY	1
4	RED CAPLUG / O-RING SUB-ASSY	2
5	2" CAPLUG / GROMMET SUB-ASSY	1
6	2" FNPT SPIN WELD FITTING, PE, BLACK	2
7	2" MPT PLUG, PE, BLACK	2
8	LOGO	1
9	FRP STIFFENER	1
10	2" CAPLUG / GROMMET SUB-ASSY - DOUBLE GROMMET - SHIPPED LOOSE	1

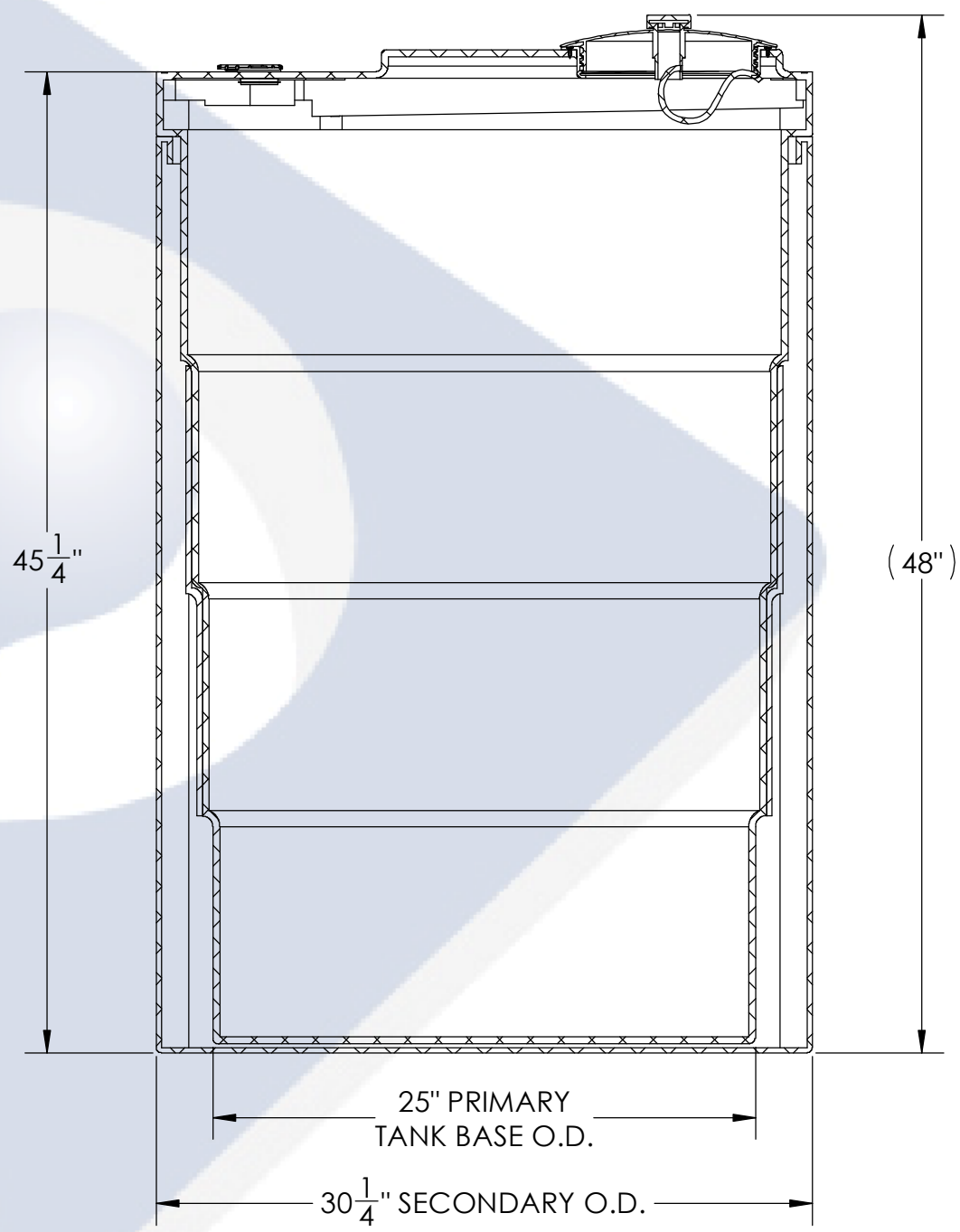
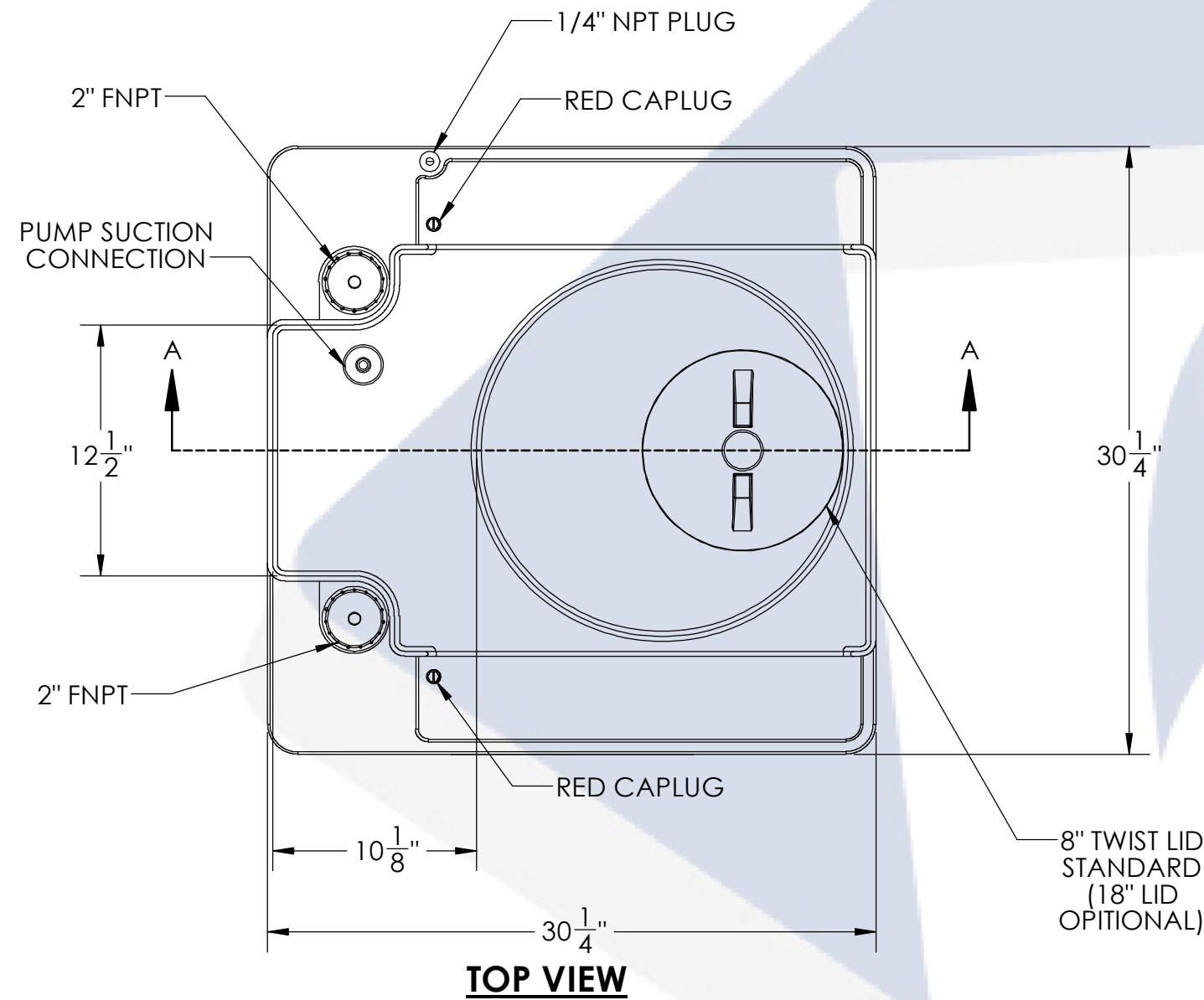
- NOTES:**
- CAPACITY: 120 GAL. NOMINAL
  - APPROXIMATE WEIGHT: 105 LBS
  - TANK MATERIAL: HDPE W/ UV INHIBITOR
  - SERVICE PRESSURE: ATMOSPHERIC

**PROPRIETARY AND CONFIDENTIAL**  
 THE INFORMATION CONTAINED IN THIS DRAWING IS THE SOLE PROPERTY OF PEABODY ENGINEERING. ANY REPRODUCTION IN PART OR AS A WHOLE WITHOUT THE WRITTEN PERMISSION OF PEABODY ENGINEERING IS PROHIBITED.

UNLESS OTHERWISE SPECIFIED:		NAME	DATE	
DIMENSIONS ARE IN INCHES TOLERANCES: ±1/4" ANGULAR: ± .5° ONE PLACE DECIMAL: ± .25 TWO PLACE DECIMAL: ± .125 THREE PLACE DECIMAL: ± .063		DRAWN	MSM 12/29/14	
TANK MATERIAL:	HDPE	CHECKED		PROJECT: 120 GALLON GEMINI <sup>2</sup> TANK ASSEMBLY
INNER TANK S/N:		ENG APPR.		CUSTOMER: PEABODY STANDARD
OUTER TANK S/N:		MFG APPR.		SITE/LOCATION: -
CUSTOMER PO#		Q.A.		DRAWING#: SEE TABLE
DO NOT SCALE DRAWING		<b>ALTERNATIVE VERSIONS</b> MATERIALS: XLPE, PPL, PVDF COLORS: NATURAL, BLUE OR BLACK AVAILABLE WITH FRP WRAP		SIZE DESC. <b>B</b> PEABODY 120 GALLON GEMINI <sup>2</sup> REV. <b>E</b>
		CALL FOR PART NUMBERS		SCALE: 1:20 SHEET 1 OF 2

8 7 6 5 4 3 2 1

D C B A



**SECTION A-A**  
**SCALE 1 : 8**



PROJECT:  
120G GEMINI<sup>3</sup>, ASSY, REV. E, CUSTOMER DRAWING

SCALE: 1:20

SHEET 2 OF 2

A B C D

8 7 6 5 4 3 2 1