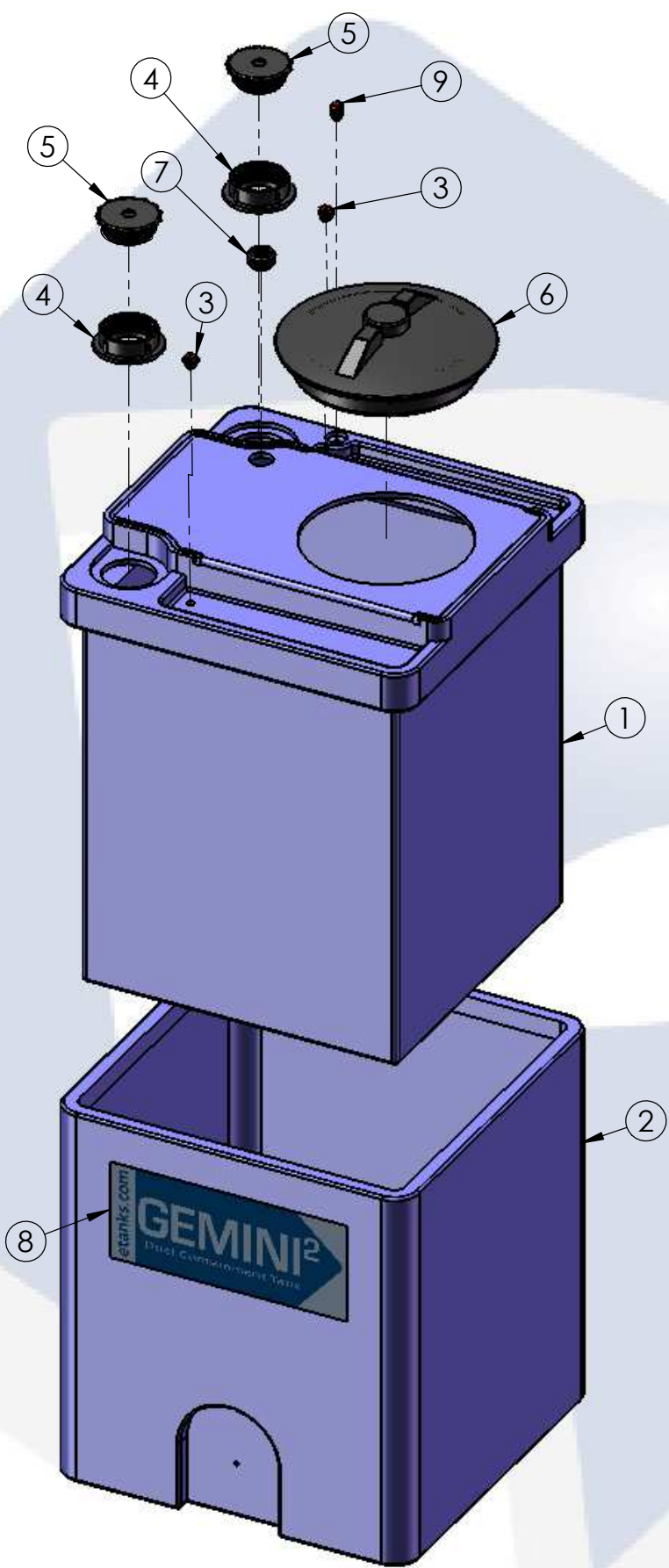


8 7 6 5 4 3 2 1

20 GALLON GEMINI <sup>2</sup>	PART NUMBER	
	BLUE	NATURAL
STANDARD (1.5 SPG)	01-29333	01-29371
HD (1.9 SPG)	01-30052	01-30056



**ISO VIEW  
ASSEMBLED**



**TRIMETRIC VIEW  
EXPLODED**

**TOP LEVEL ASSEMBLY BOM**

ITEM NO.	DESCRIPTION	QTY.
1	GEMINI <sup>2</sup> , 20G INNER TANK	1
2	GEMINI <sup>2</sup> , 20G OUTER TANK	1
3	RED CAPLUG / O-RING SUB-ASSY	2
4	2" FNPT SPIN WELD FITTING, PE	2
5	2" THREADED PLUG, PE	2
6	8" TWIST LID ASSEMBLY	1
7	1 1/4" CAPLUG / GROMMET SUB-ASSY	1
8	LOGO	1
9	PLUG, 1/4" NPT, RED CAPLUG	1

- NOTES:**
- CAPACITY: 20 GAL. NOMINAL
  - APPROXIMATE WEIGHT: 27 LBS
  - TANK MATERIAL: LLDPE W/ UV INHIBITOR
  - SERVICE PRESSURE: ATMOSPHERIC

UNLESS OTHERWISE SPECIFIED:  
 DIMENSIONS ARE IN INCHES  
 TOLERANCES: ±1/4"  
 ANGULAR: ±.5°  
 ONE PLACE DECIMAL: ±.25  
 TWO PLACE DECIMAL: ±.125  
 THREE PLACE DECIMAL: ±.063

DRAWN	NAME	DATE
CHECKED	MSM	11/25/13
ENG APPR.		
MFG APPR.		
TANK MATERIAL:	LLDPE	
INNER TANK S/N:		
OUTER TANK S/N:		
CUSTOMER PO#		
DO NOT SCALE DRAWING	CALL FOR PART NUMBERS	

**PEABODY ENGINEERING**

PROJECT: 20 GALLON GEMINI<sup>2</sup> TANK ASSEMBLY

CUSTOMER: PEABODY STANDARD

SITE/LOCATION: -

DRAWING#: SEE TABLE

SIZE	DESC.	REV.
B	PEABODY 20 GALLON GEMINI <sup>2</sup>	C

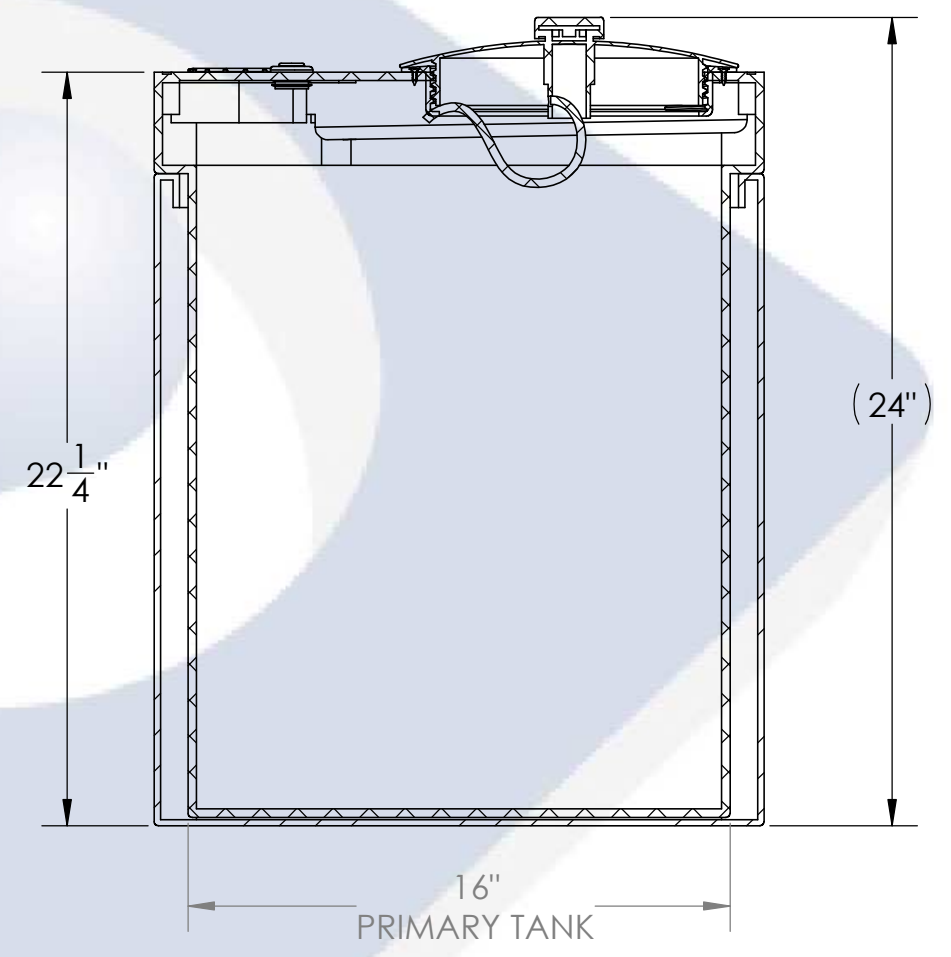
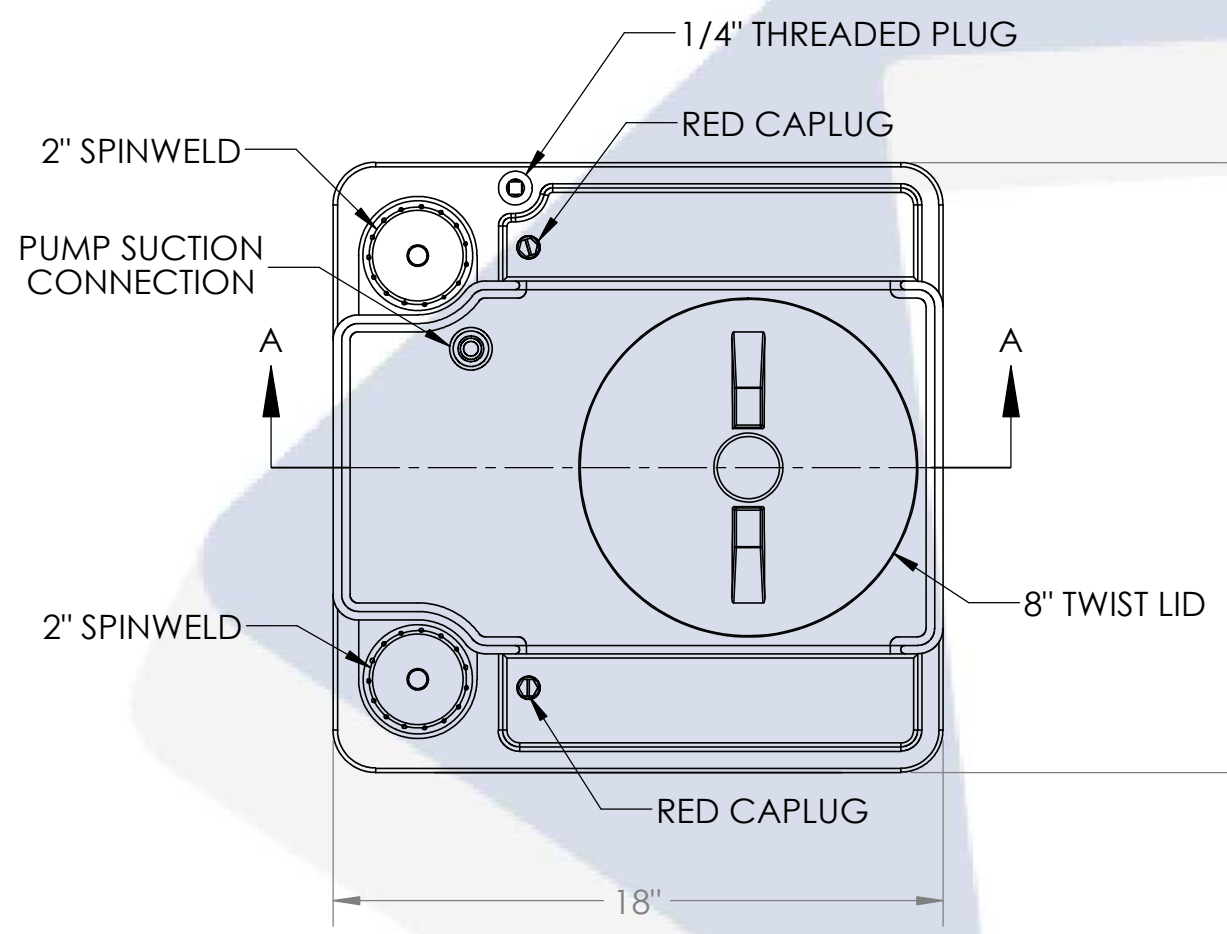
SCALE: 1:12 SHEET 1 OF 2

**PROPRIETARY AND CONFIDENTIAL**  
 THE INFORMATION CONTAINED IN THIS DRAWING IS THE SOLE PROPERTY OF PEABODY ENGINEERING. ANY REPRODUCTION IN PART OR AS A WHOLE WITHOUT THE WRITTEN PERMISSION OF PEABODY ENGINEERING IS PROHIBITED.

8 7 6 5 4 3 2 1

8 7 6 5 4 3 2 1

D C B A



8 7 6 5 4 3 2 1



PROJECT:  
20G GEMINI<sup>2</sup>, ASSEMBLY FOR CUSTOMER, REV. C

SCALE: 1:12

SHEET 2 OF 2