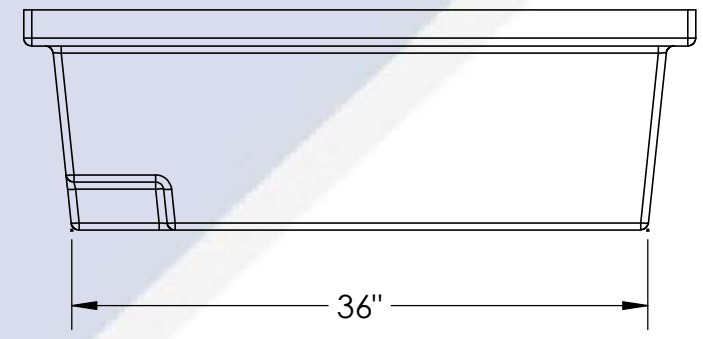
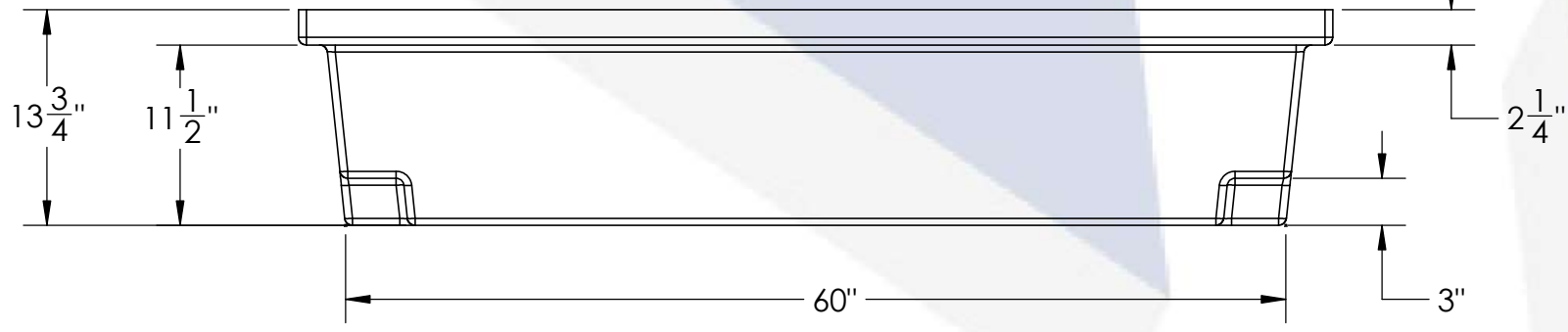
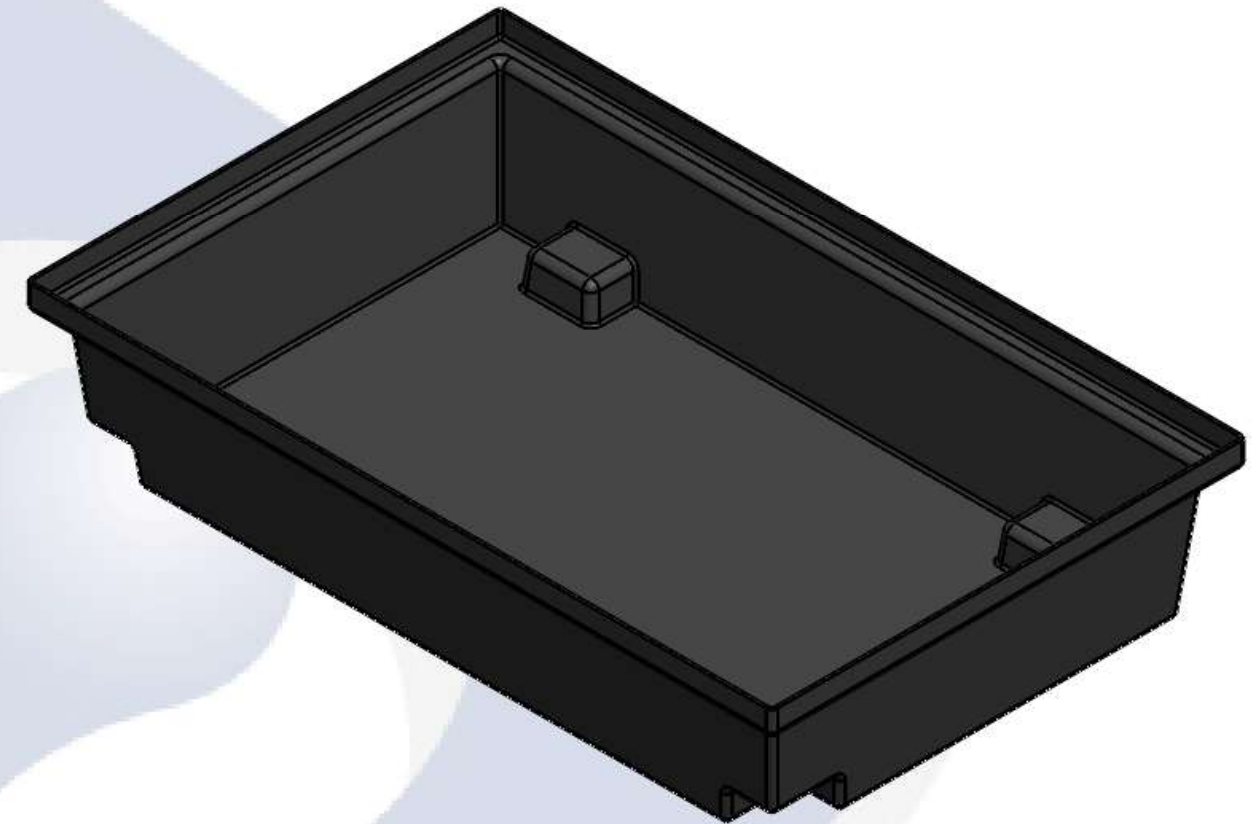
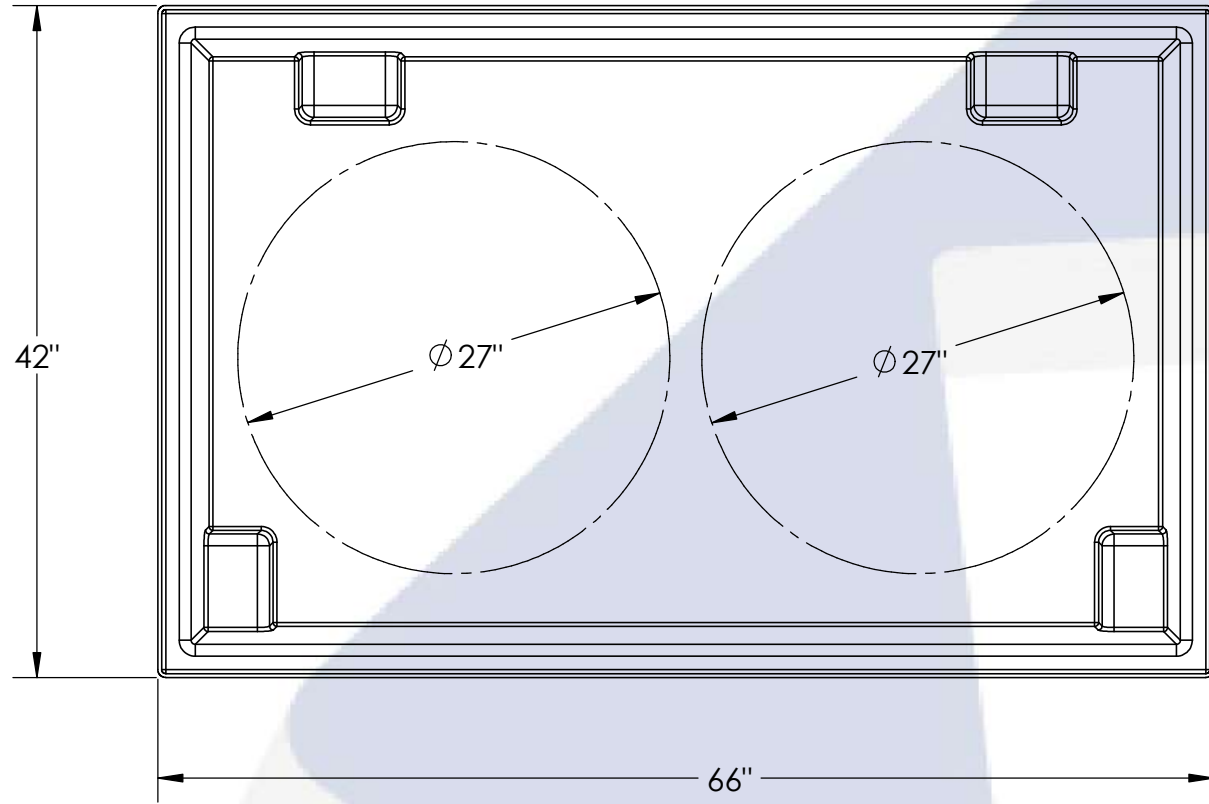


8 7 6 5 4 3 2 1

D
C
B
A



- NOTES:**
1. CAPACITY: 110 GAL. NOMINAL
 2. APPROXIMATE WEIGHT: 43.57 LBS
 3. TANK MATERIAL: LLDPE W/ UV INHIBITOR
 4. SERVICE PRESSURE: ATMOSPHERIC

PROPRIETARY AND CONFIDENTIAL
 THE INFORMATION CONTAINED IN THIS DRAWING IS THE SOLE PROPERTY OF PEABODY ENGINEERING. ANY REPRODUCTION IN PART OR AS A WHOLE WITHOUT THE WRITTEN PERMISSION OF PEABODY ENGINEERING IS PROHIBITED.

UNLESS OTHERWISE SPECIFIED:
 DIMENSIONS ARE IN INCHES
 TOLERANCES: ±1/4"
 ANGULAR: ± .5°
 ONE PLACE DECIMAL: ± .25
 TWO PLACE DECIMAL: ± .125
 THREE PLACE DECIMAL: ± .063

TANK MATERIAL: **LLDPE**

INNER TANK S/N:

OUTER TANK S/N:

CUSTOMER PO#

DO NOT SCALE DRAWING

	NAME	DATE
DRAWN	MSM	9/10/15
CHECKED		
ENG APPR.		
MFG APPR.		
Q.A.		

ALTERNATIVE VERSIONS

MATERIALS: XLPE, PPL, PVDF
COLORS: NATURAL, BLUE OR BLACK
 AVAILABLE WITH FRP WRAP

CALL FOR PART NUMBERS



PROJECT: **(2X) 75/100G PROCHEM BASIN**

CUSTOMER: **PEABODY STANDARD**

SITE/LOCATION: **-**

DRAWING#: **253-31633**

SIZE	DESC.	REV.
B	CONTAINMENT BASIN FOR TWO 100G PROCHEM TANK (110G CONTAINMENT)	A

SCALE: 1:12 SHEET 1 OF 1

8 7 6 5 4 3 2 1