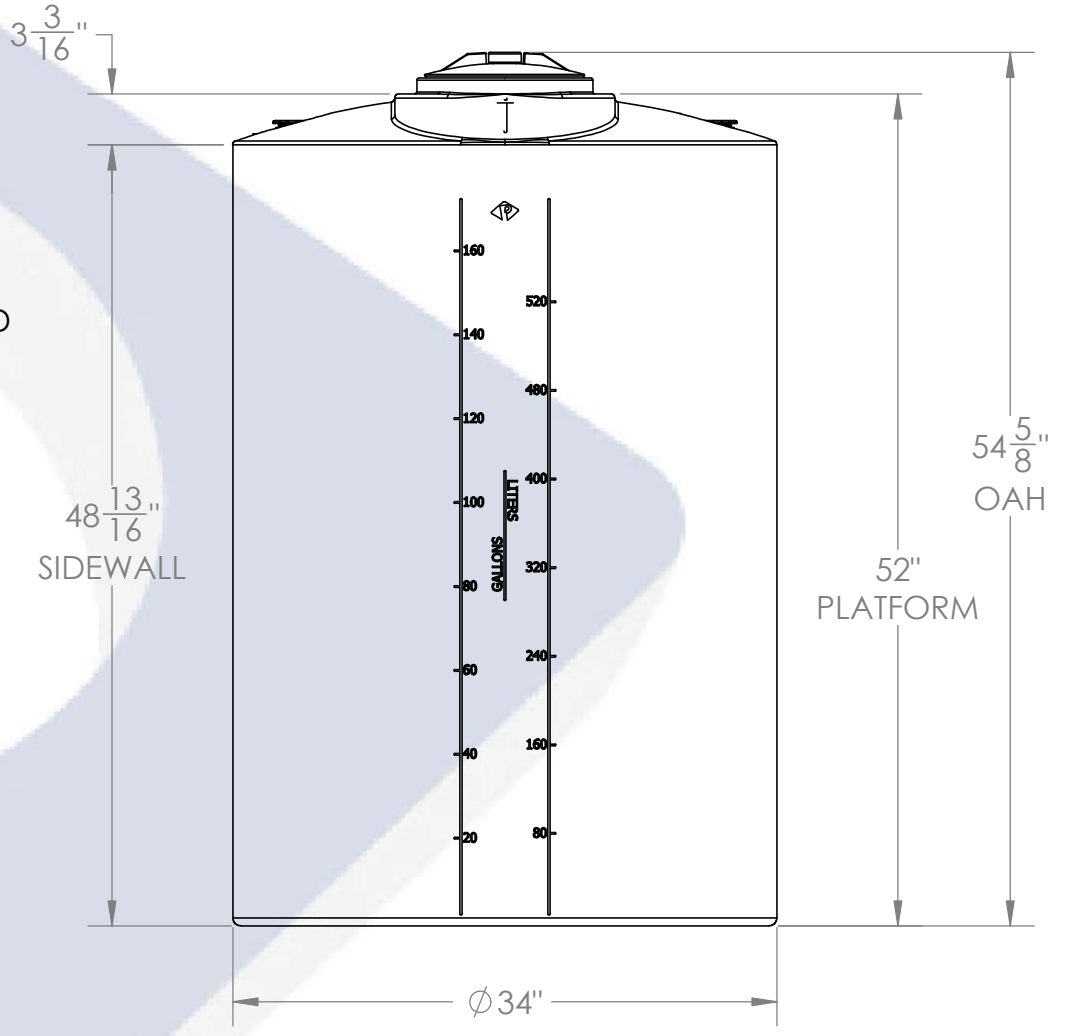
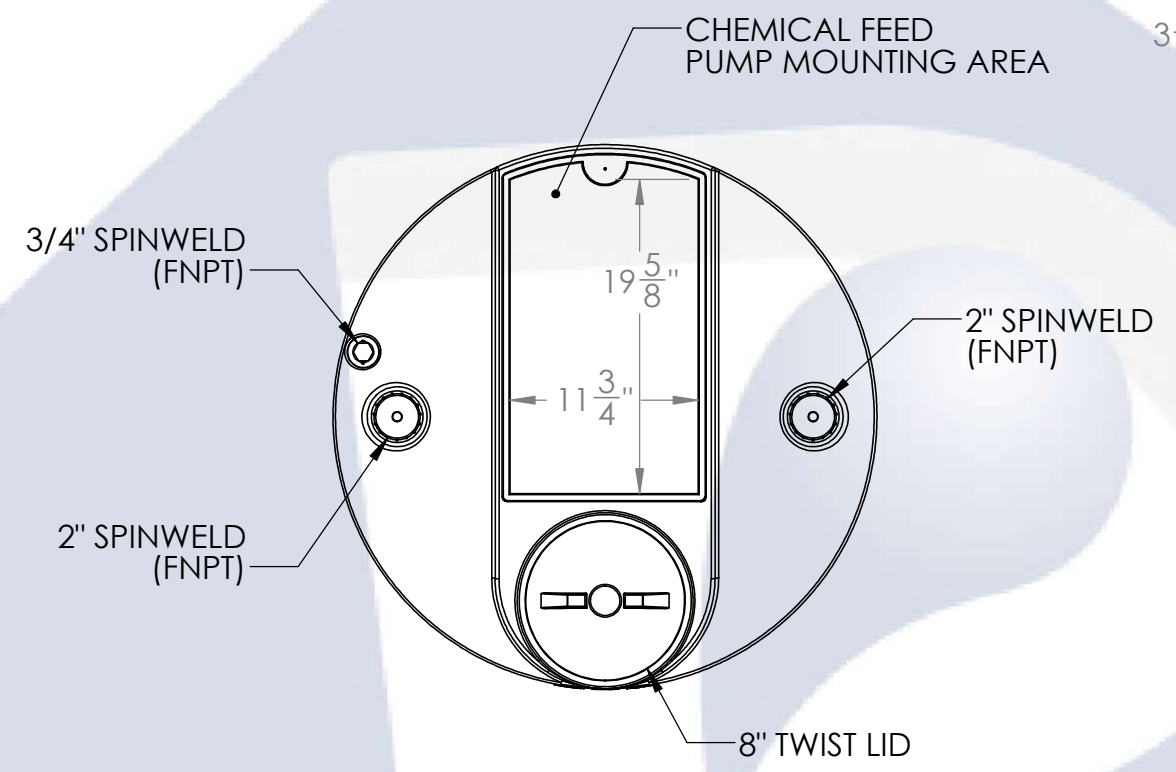
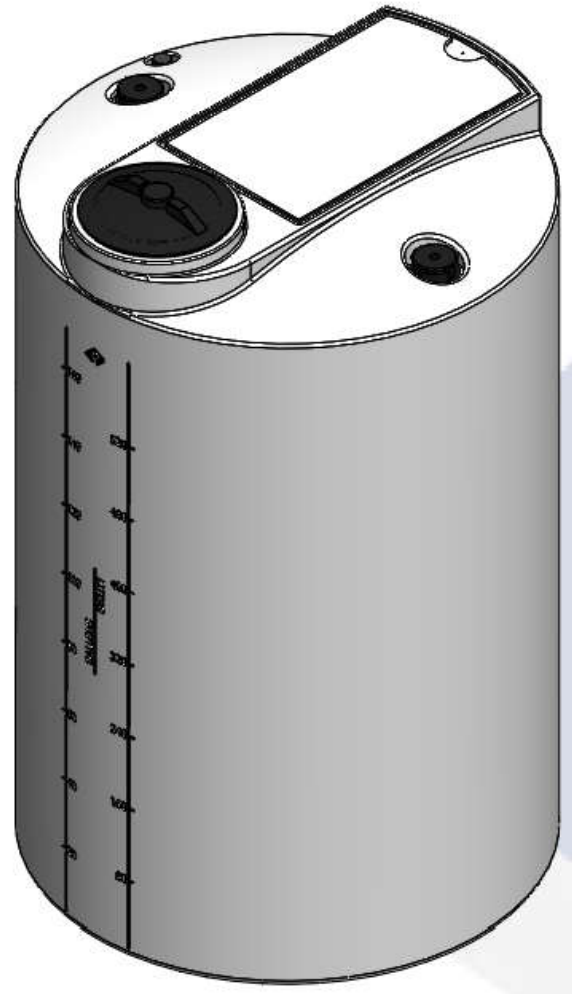


D  
C  
B  
A



175G PROCHEM TANK	
MATERIAL	PART NUMBERS
LLDPE, NATURAL, 1.9 SPG	01-31660
XLPE, NATURAL, 1.9 SPG	01-31663
LLDPE, FDA BLACK, 1.0 SPG	01-31870

- NOTES:**
- CAPACITY: 175 GAL. NOMINAL
  - TANK MATERIAL OPTIONS  
LLDPE HDLPE XLPE FDA WATER PPL PVDF
  - SERVICE PRESSURE: ATMOSPHERIC
  - NSF/ANSI STANDARD 61 CERTIFIED
  - AVAILABLE W/ FRP WRAP  
CONTACT CUSTOMER SERVICE FOR ADDITIONAL INFORMATION

**PROPRIETARY AND CONFIDENTIAL**  
THE INFORMATION CONTAINED IN THIS DRAWING IS THE SOLE PROPERTY OF PEABODY ENGINEERING. ANY REPRODUCTION IN PART OR AS A WHOLE WITHOUT THE WRITTEN PERMISSION OF PEABODY ENGINEERING IS PROHIBITED.

UNLESS OTHERWISE SPECIFIED:  
DIMENSIONS ARE IN INCHES  
TOLERANCES: ±1/4"  
ANGULAR: ±.5°  
ONE PLACE DECIMAL: ±.25  
TWO PLACE DECIMAL: ±.125  
THREE PLACE DECIMAL: ±.063

TANK MATERIAL:  
INNER TANK S/N:  
OUTER TANK S/N:  
CUSTOMER PO#

DO NOT SCALE DRAWING

	NAME	DATE
DRAWN	RFR	03/29/17
CHECKED		
ENG APPR.		
MFG APPR.		
Q.A.		

**PEABODY**  
ENGINEERING

PROJECT: **PROCHEM® TANKS**

CUSTOMER: **PEABODY STANDARD**

SITE/LOCATION: -

DRAWING#: **SEE TABLE**

SIZE	DESC.	REV.
<b>B</b>	<b>175 GAL PROCHEM® TANK, Ø34" x 54.5"</b>	<b>B2</b>

SCALE: 1:12 SHEET 1 OF 1