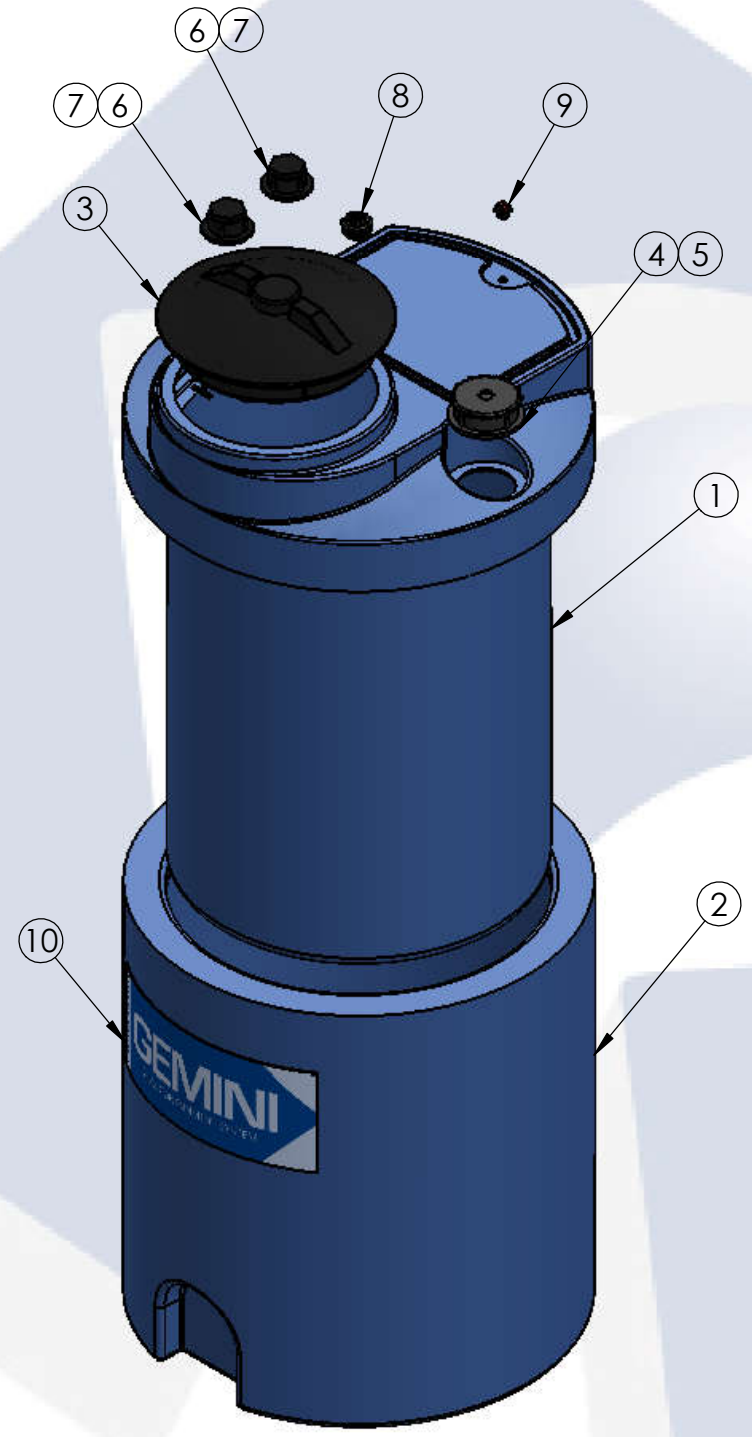


15 GALLON GEMINI	PART NUMBER	
	BLUE	NATURAL
STANDARD (1.5 SPG)	01-28907	01-28906
HD (1.9 SPG)	01-29772	01-29763

ALTERNATE CONFIGURATION TO MEET NSF/ANSI STANDARD 61 AVAILABLE



**ISOMETRIC VIEW (ASSEMBLED)**



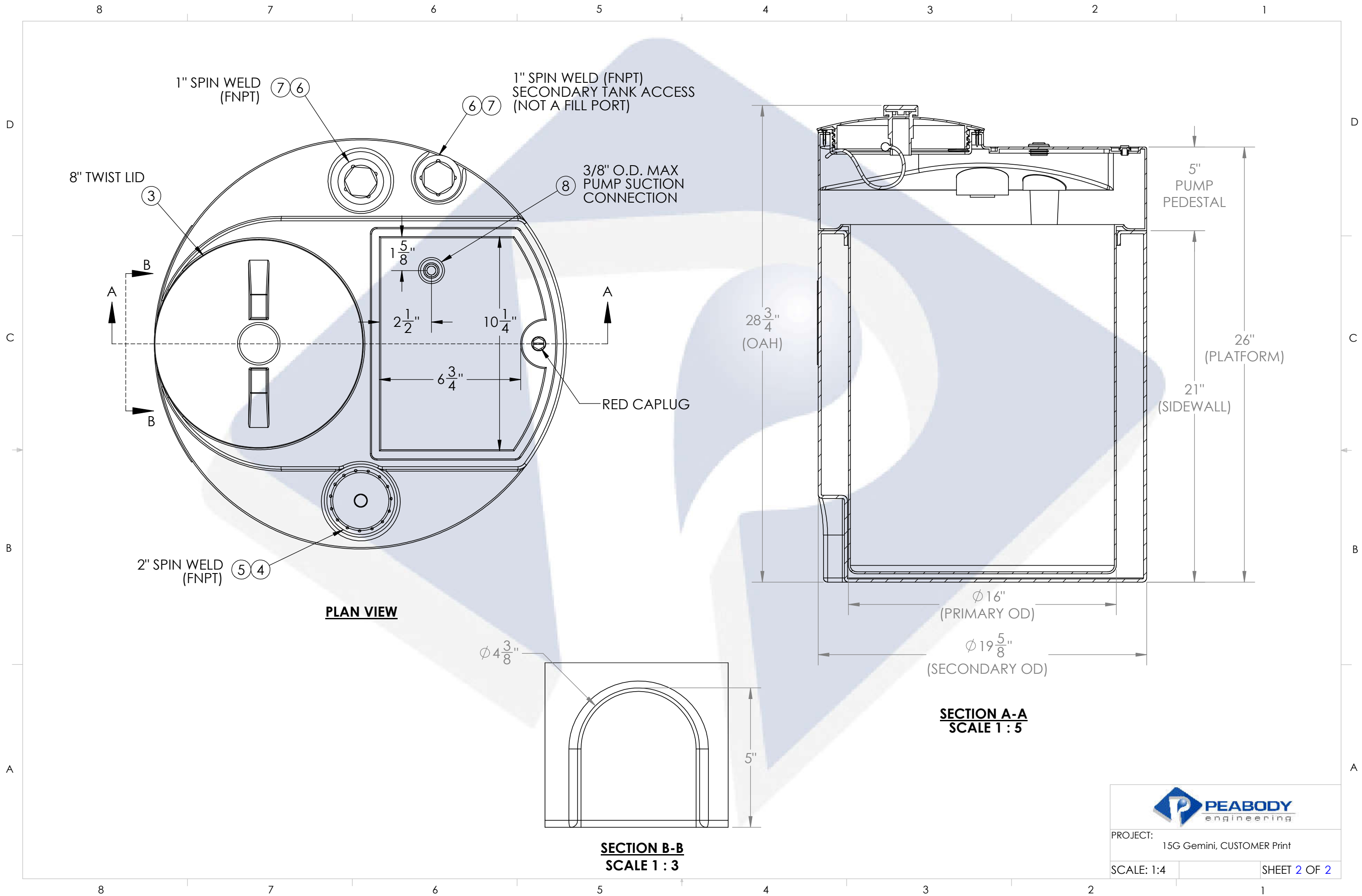
**ISOMETRIC VIEW (EXPLODED)**

TOP LEVEL ASSEMBLY		
ITEM NO.	DESCRIPTION	QTY.
1	15G GEMINI PRIMARY TANK	1
2	15G GEMINI SECONDARY TANK	1
3	Ø10" OD / 8" ID TWIST LID ASSY	1
4	Ø2" FNPT SPIN WELD FITTING, PE	1
5	Ø2" THREADED PLUG, PE	1
6	Ø1" FNPT SPIN WELD FITTING, PE	2
7	Ø1" THREADED PLUG, PE	2
8	Ø1-1/4" CAPLUG / GROMMET SUB-ASSY	1
9	RED CAPLUG / O-RING SUB-ASSY	1
10	MOLD IN GRAPHIC	1

- NOTES:**
- CAPACITY: 15 GAL. NOMINAL
  - APPROXIMATE WEIGHT: 25 LBS
  - TANK MATERIAL: LLDPE W/ UV INHIBITOR
  - GASKETS: EPDM
  - SERVICE PRESSURE: ATMOSPHERIC

**PROPRIETARY AND CONFIDENTIAL**  
 THE INFORMATION CONTAINED IN THIS DRAWING IS THE SOLE PROPERTY OF PEABODY ENGINEERING. ANY REPRODUCTION IN PART OR AS A WHOLE WITHOUT THE WRITTEN PERMISSION OF PEABODY ENGINEERING IS PROHIBITED.

UNLESS OTHERWISE SPECIFIED:		NAME	DATE	
DIMENSIONS ARE IN INCHES TOLERANCES: ±1/4" ANGULAR: ±.5° ONE PLACE DECIMAL: ±.25 TWO PLACE DECIMAL: ±.125 THREE PLACE DECIMAL: ±.063		DRAWN	RFR 05/31/17	
TANK MATERIAL:	LLDPE	CHECKED		PROJECT: GEMINI DUAL CONTAINMENT TANKS
INNER TANK S/N:		ENG APPR.		CUSTOMER: PEABODY STANDARD
OUTER TANK S/N:		MFG APPR.		SITE/LOCATION: -
CUSTOMER PO#		Q.A.		DRAWING#: SEE TABLE
DO NOT SCALE DRAWING		<b>ALTERNATIVE VERSIONS</b> MATERIALS: XLPE, PPL, PVDF COLORS: NATURAL, BLUE OR BLACK AVAILABLE WITH FRP WRAP CALL FOR PART NUMBERS		SIZE: B    DESC.:    REV.: E SCALE: 1:8    SHEET 1 OF 2



1" SPIN WELD (FNPT) (7)(6)

1" SPIN WELD (FNPT) SECONDARY TANK ACCESS (NOT A FILL PORT) (6)(7)

8" TWIST LID (3)

3/8" O.D. MAX PUMP SUCTION CONNECTION (8)

5" PUMP PEDESTAL

26" (PLATFORM)

21" (SIDEWALL)

28 3/4" (OAH)

Ø16" (PRIMARY OD)

Ø19 5/8" (SECONDARY OD)

**SECTION A-A**  
SCALE 1 : 5

2" SPIN WELD (FNPT) (5)(4)

**PLAN VIEW**

RED CAPLUG

Ø4 3/8"

5"

**SECTION B-B**  
SCALE 1 : 3



PROJECT: 15G Gemini, CUSTOMER Print

SCALE: 1:4

SHEET 2 OF 2