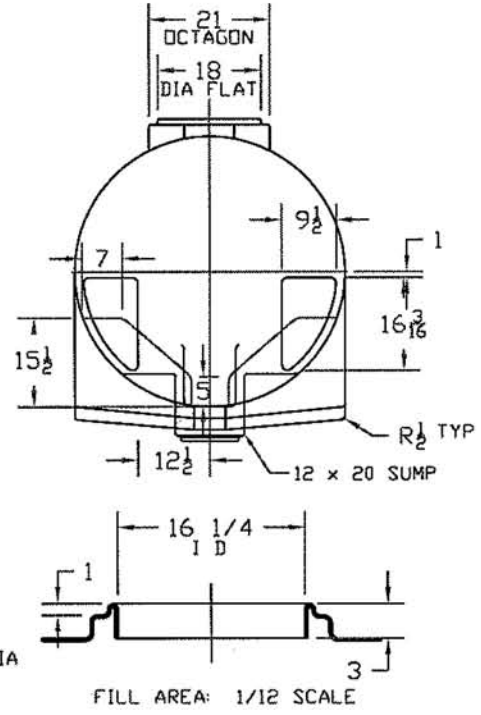
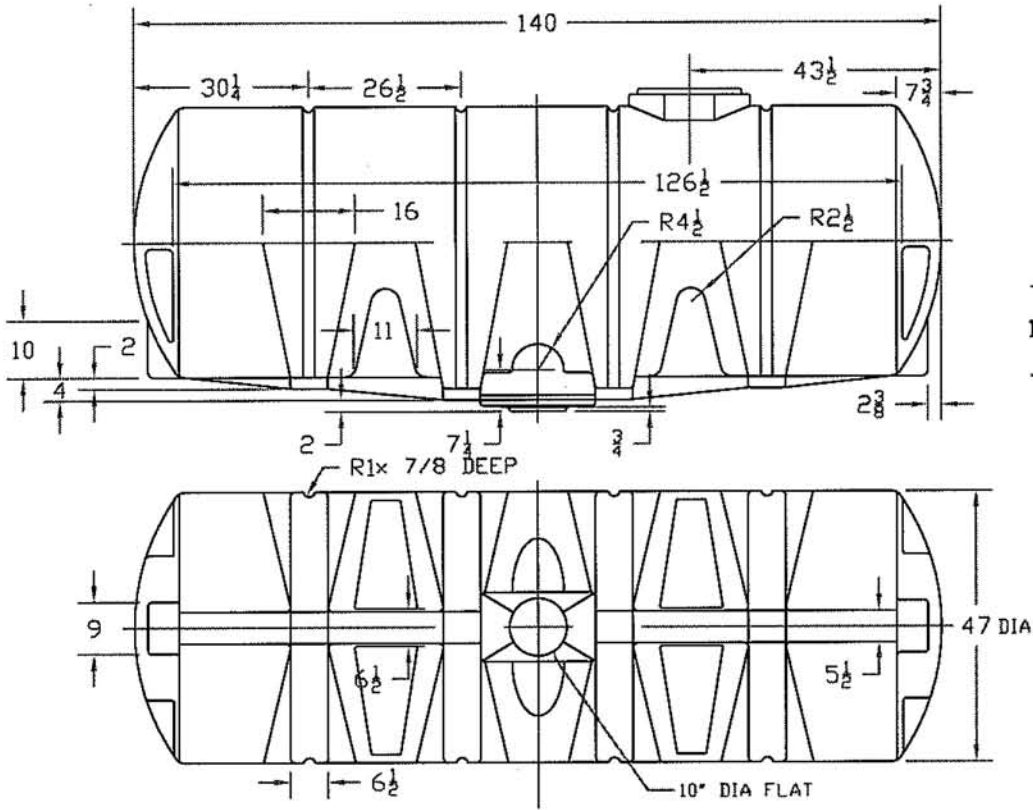



ZONE	REV	DESCRIPTION	DATE	APPROVED
	A	SUMP AREA REVISED	28SEP01	



		 PEABODY engineering			
		1010 GALLON HORIZONTAL DRAINABLE TANK			
JTP	11JUL94	SIZE B	FSCM NO.	DWG NO.	REV A
		SCALE 1/24		SHEET	