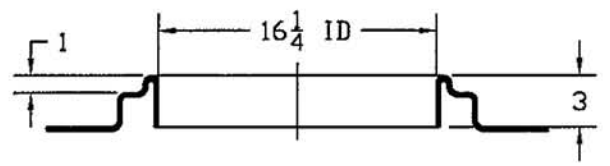
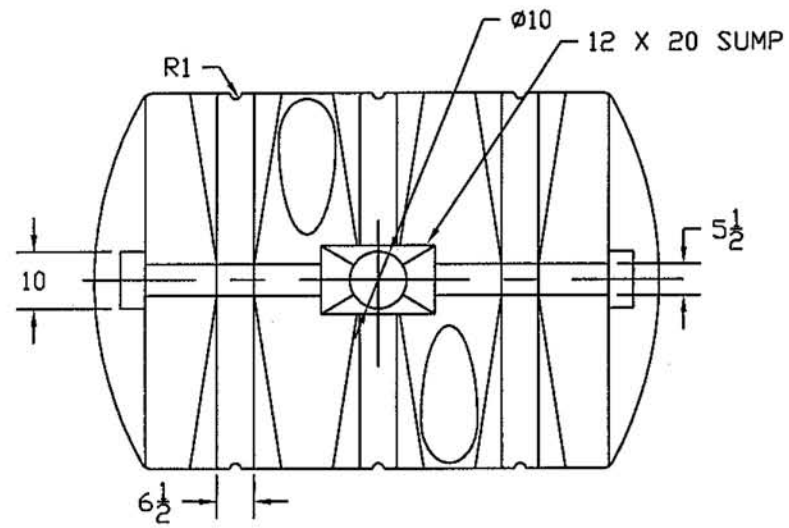
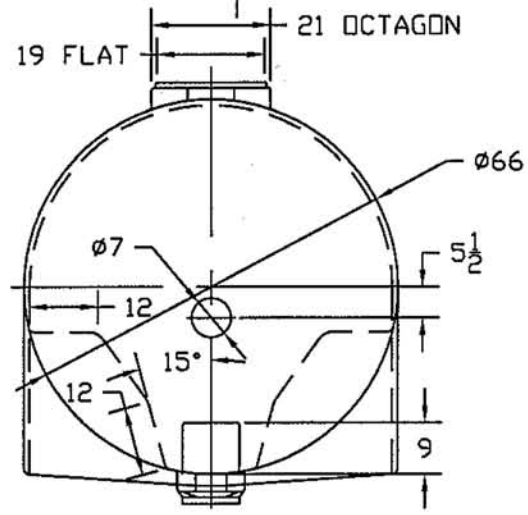
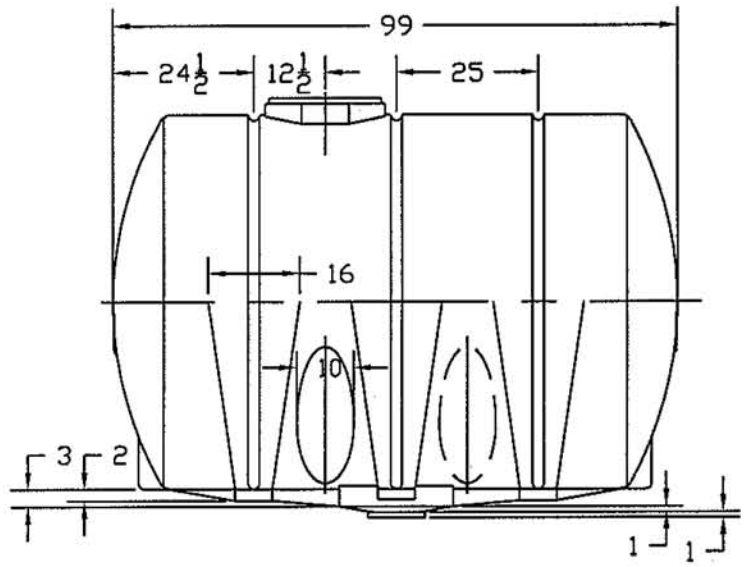



ZONE	REV	DESCRIPTION	DATE	APPROVED



FILLWELL DETAIL - 1/8" SCALE

JTP 04AUG03				1310 GALLON DRAINABLE HORIZONTAL TANK	
		SIZE B	FSCM NO.	DWG NO.	REV
SCALE 1/24		SHEET			