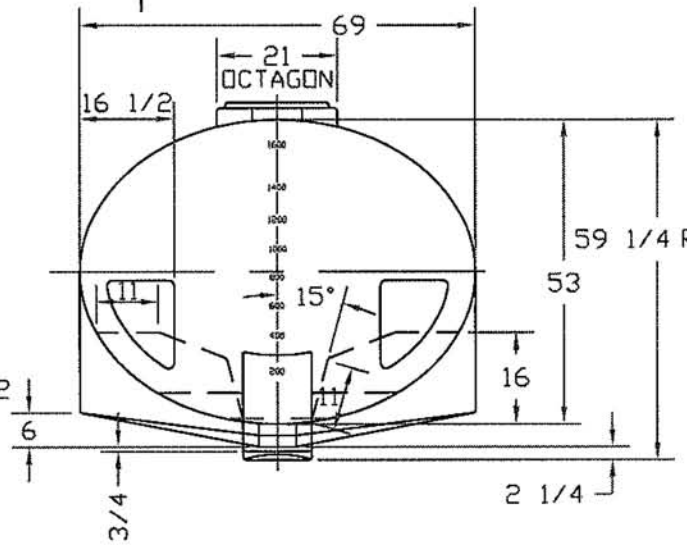
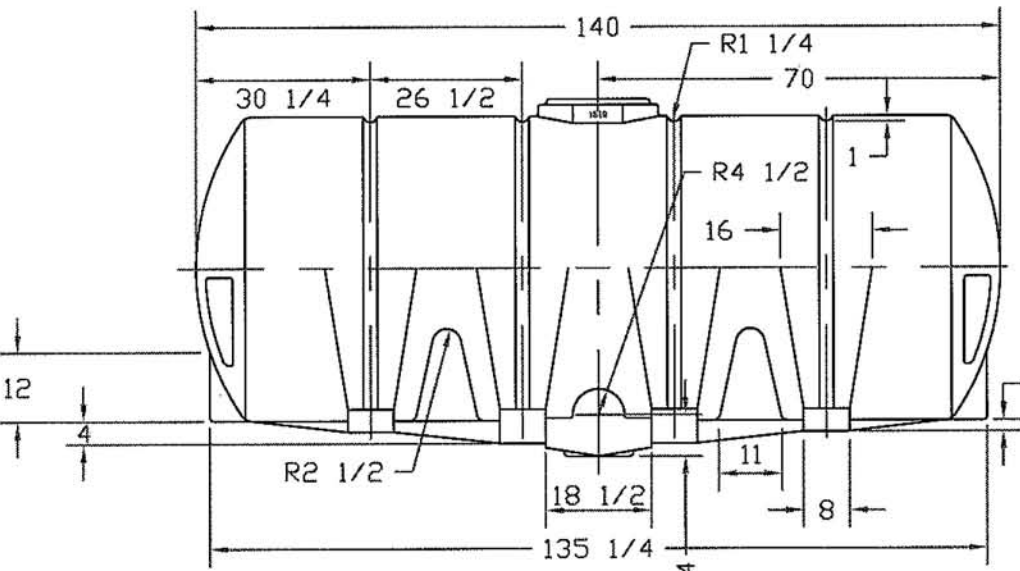
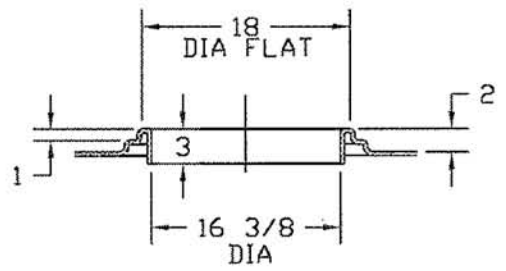
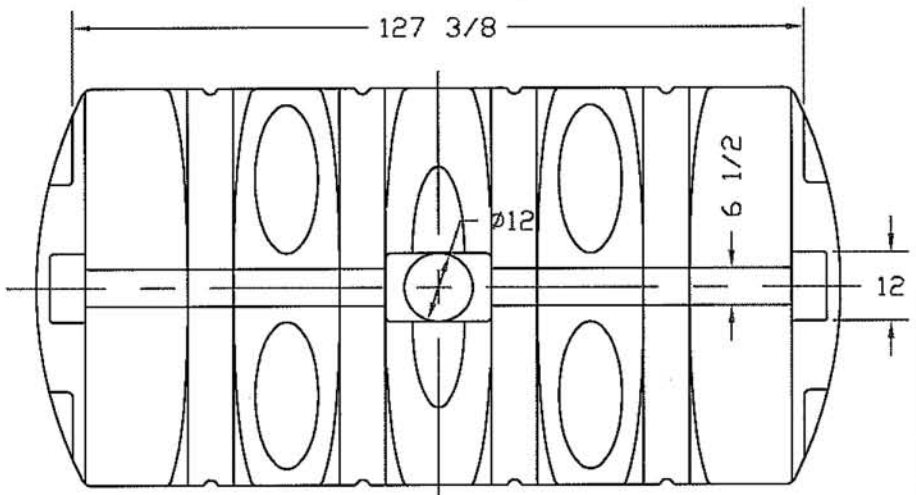


| ZONE | REV | DESCRIPTION | DATE | APPROVED |
|------|-----|-------------------------|---------|----------|
| | A | REDRAWN W/ REVISED SUMP | 26FEB99 | |



- 55 5/8
- 48 1/4
- 42 5/8
- 59 1/4 REE
- 37 1/2
- 32 1/2
- 27 5/8
- 22 3/8
- 16 1/4



FILLWELL DETAIL
1/12 SCALE



1610 GALLON ELLIPTICAL
DRAINABLE TANK

JTP 29OCT97

SIZE B FSCM NO.

REV A

SCALE 1/24

SHEET