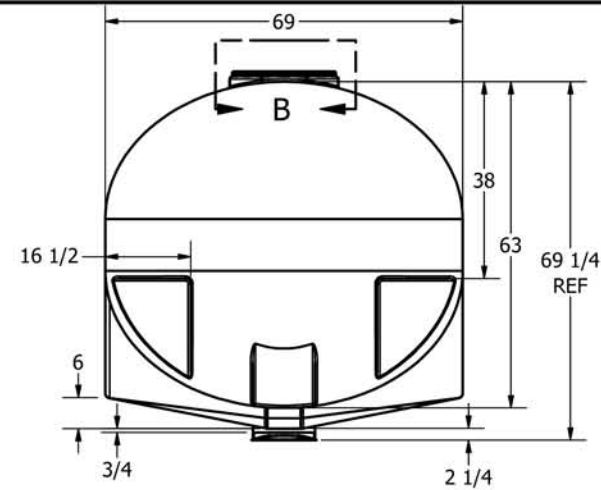
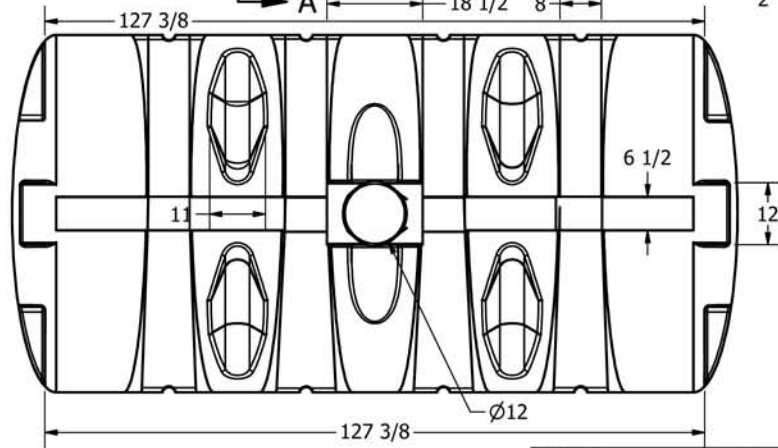
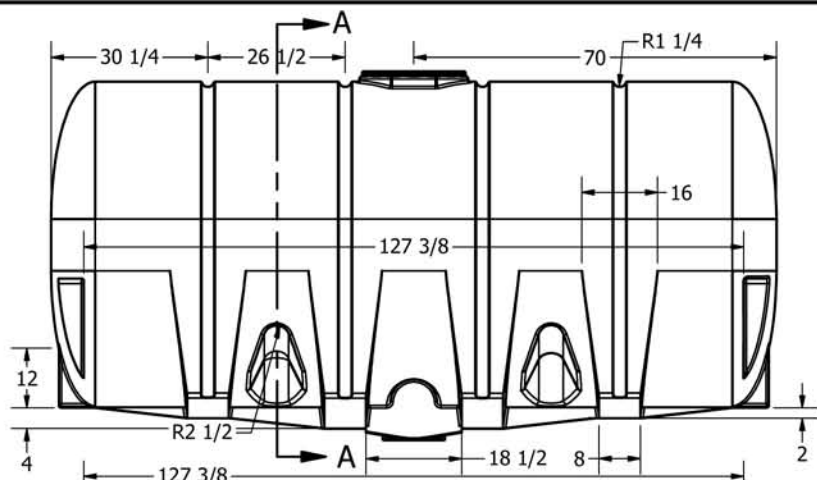
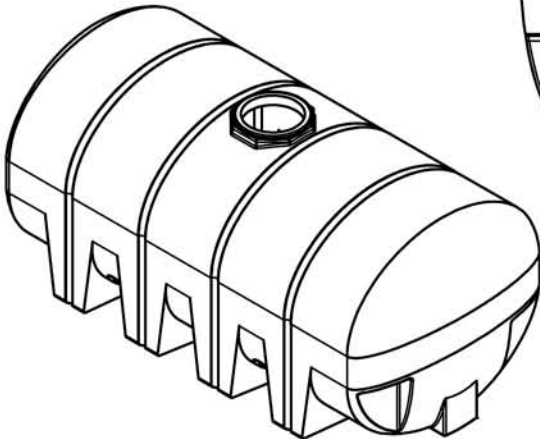


SECTION A-A
SCALE 1/24



DETAIL B
SCALE 1 / 12



DRAWN	Jerry Paulson	9/21/2010
CHECKED		
QA		
MFG		
APPROVED		



TITLE		
2010 GALLON ELLIPTICAL DRAINABLE TANK		
SIZE	DWG NO	REV
B		
SCALE: 1/24	SHEET 1 OF 1	