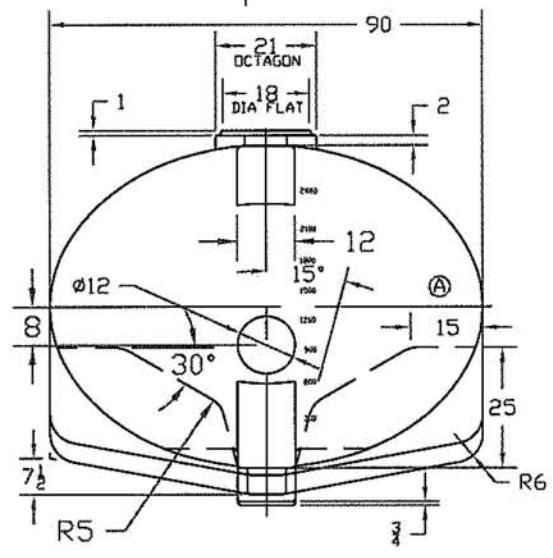
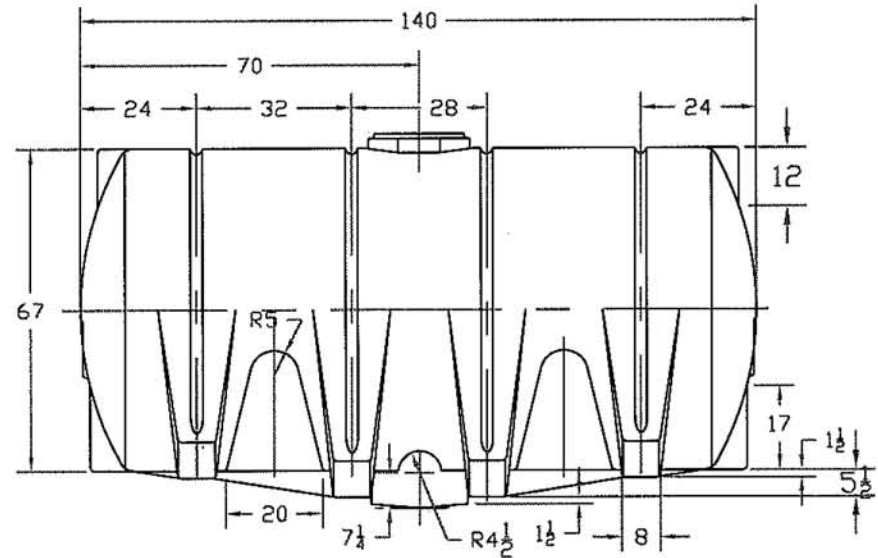
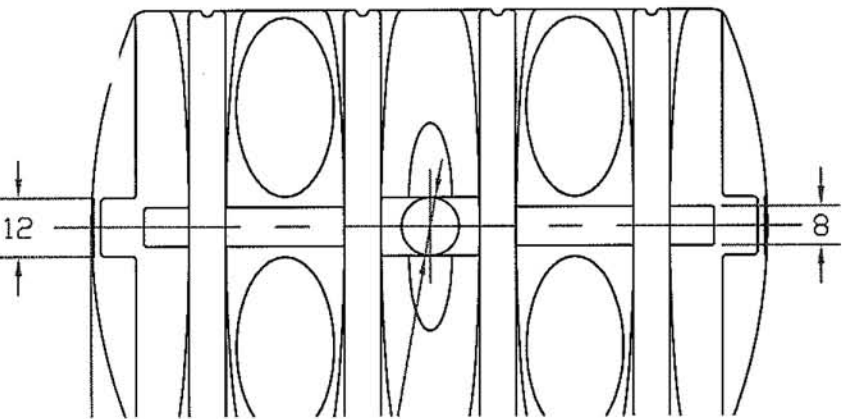



REVISIONS				
ZONE	REV	DESCRIPTION	DATE	APPROVED
	A	WAS 22 1/2	06MAY02	



- 65.4
- 57.5
- 50.9
- 44.6
- 38.5
- 32.3
- 25.6
- 18.0
- 0.0



FILL OPENING DETAILS  
1/8 SCALE

		 <b>PEABODY</b> engineering	
<b>2610 GALLON ELLIPTICAL DRAINABLE LEG TANK</b>			
JTP	21MAY01	SIZE B	FSCM NO.
		DWG NO.	REV
SCALE 1/32		SHEET	