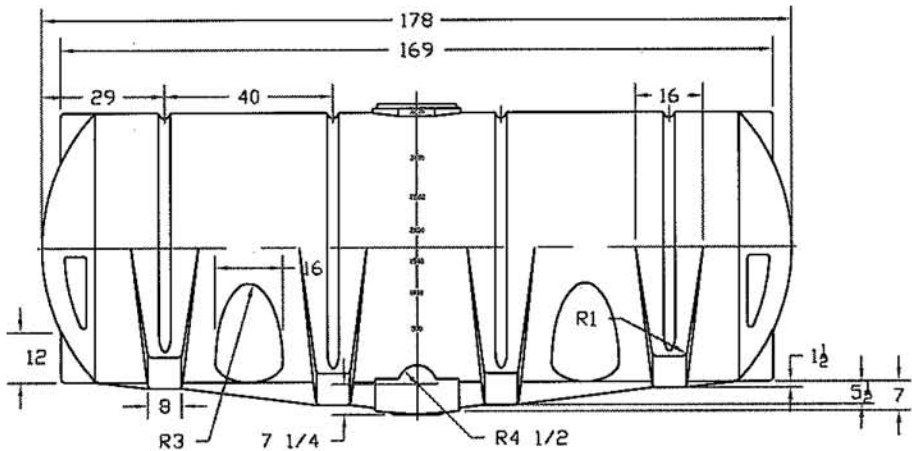
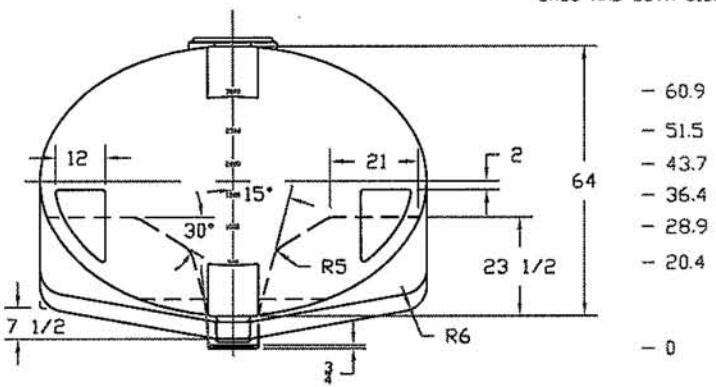


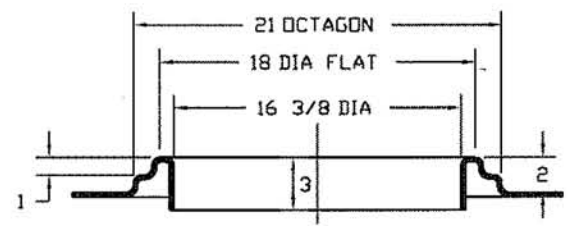
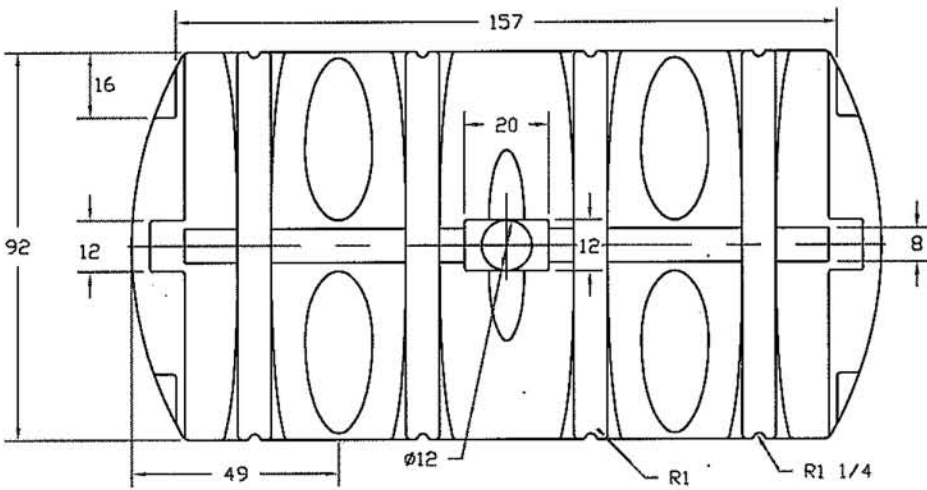
REVISIONS				
ZONE	REV	DESCRIPTION	DATE	APPROVED



NOTE: GALLON MARKINGS ARE BOTH ENDS AND BOTH SIDES



- 60.9
- 51.5
- 43.7
- 36.4
- 28.9
- 20.4
- 0



FILL OPENING DETAILS
1/8 SCALE

JTP 07MAY99				3210 GALLON ELLIPTICAL DRAINABLE LEG TANK	
		SIZE B	FSCM NO.	DWG NO.	REV
SCALE 1/32		SHEET			