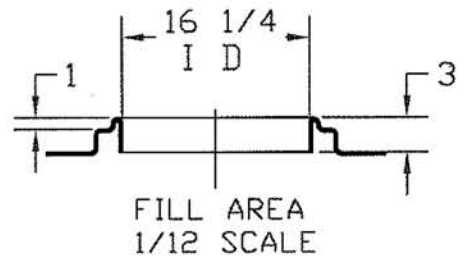
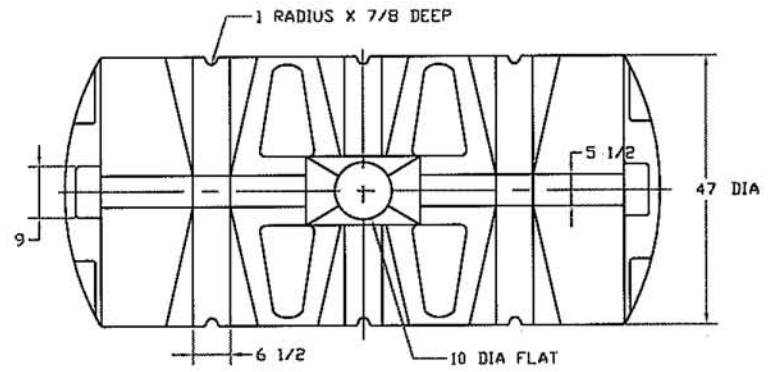
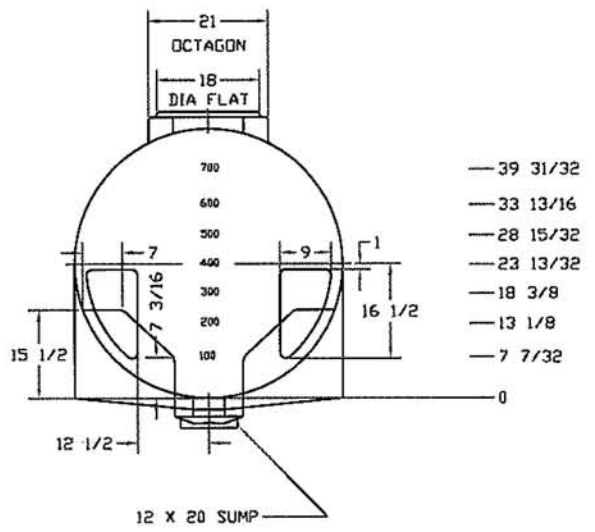
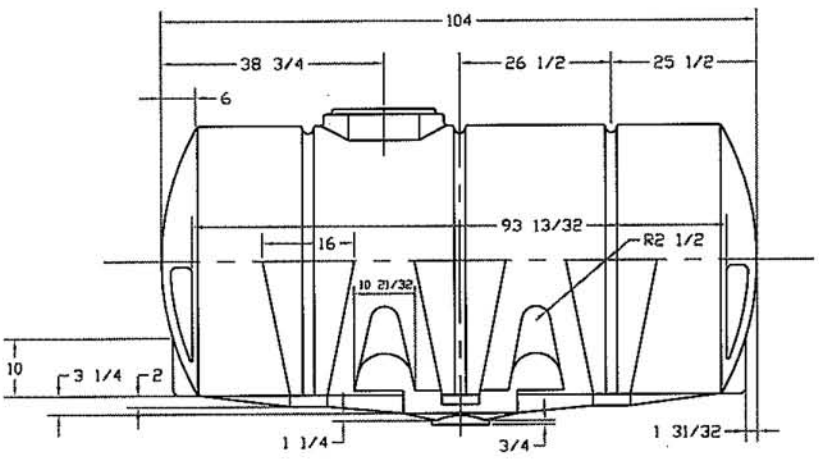



ZONE	REV	DESCRIPTION	DATE	APPROVED



JTP 2MAY95			
		710 GAL. HORIZONTAL DRAINABLE TANK	
SIZE B	FSCM NO.	DWG NO.	REV
SCALE 1/24		SHEET	