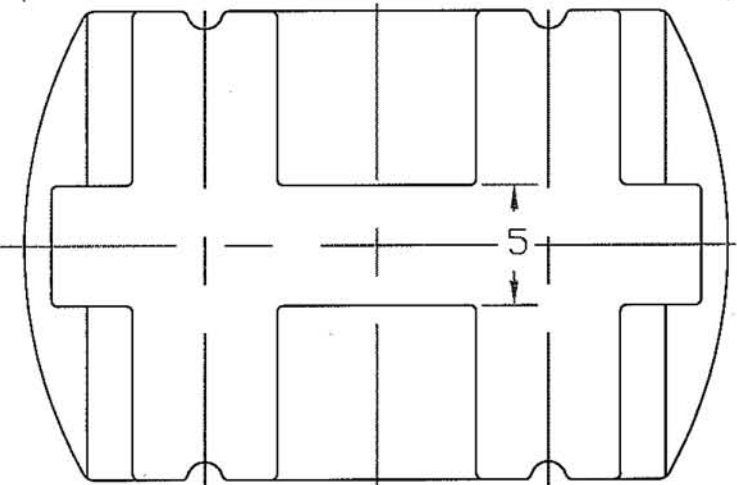
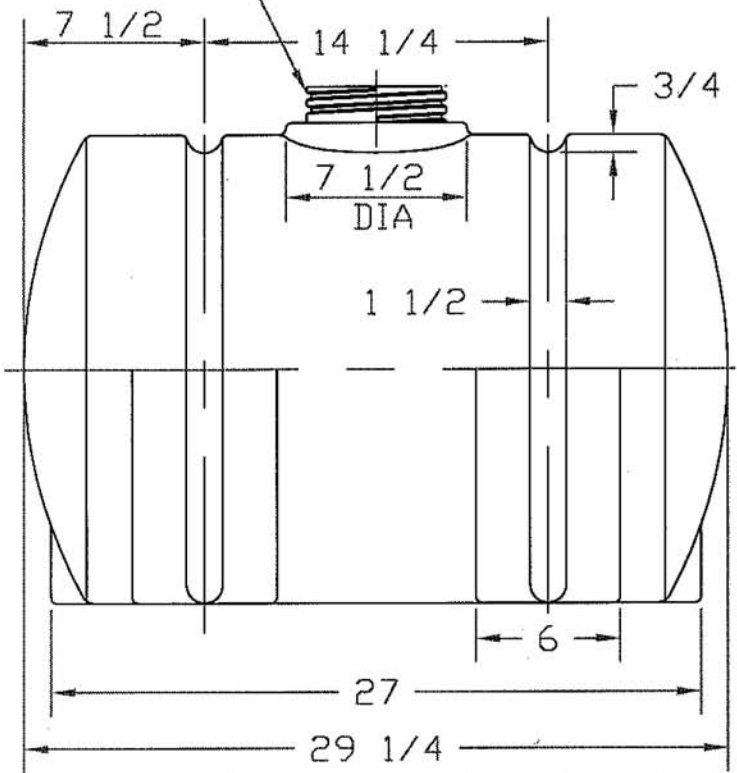
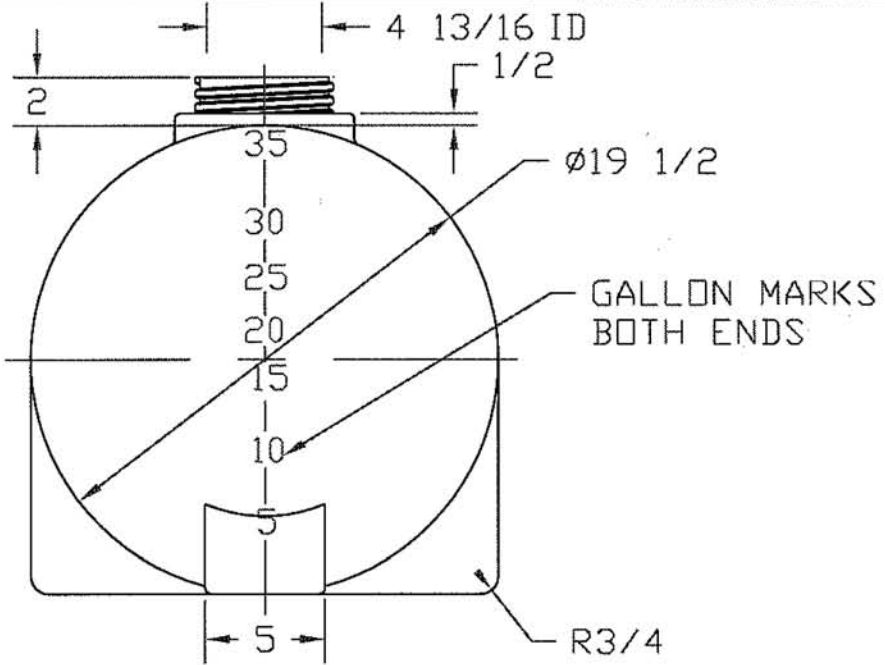



ACME THREAD
 5-3/4 MAJOR DIA
 5-3/8 MINOR DIA
 9/16 PITCH



REVISIONS				
ZONE	REV	DESCRIPTION	DATE	APPROVED
	A	REDRAWN	06JAN97	
	B	LID THREAD REVISED	09FEB00	



			
		<h3>35 GALLON HORIZONTAL TANK</h3>	
JTP	06JAN97	SIZE A	FSCM NO.
		DWG NO.	REV B
		SCALE 1/8	SHEET