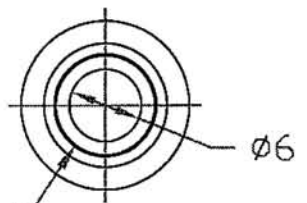
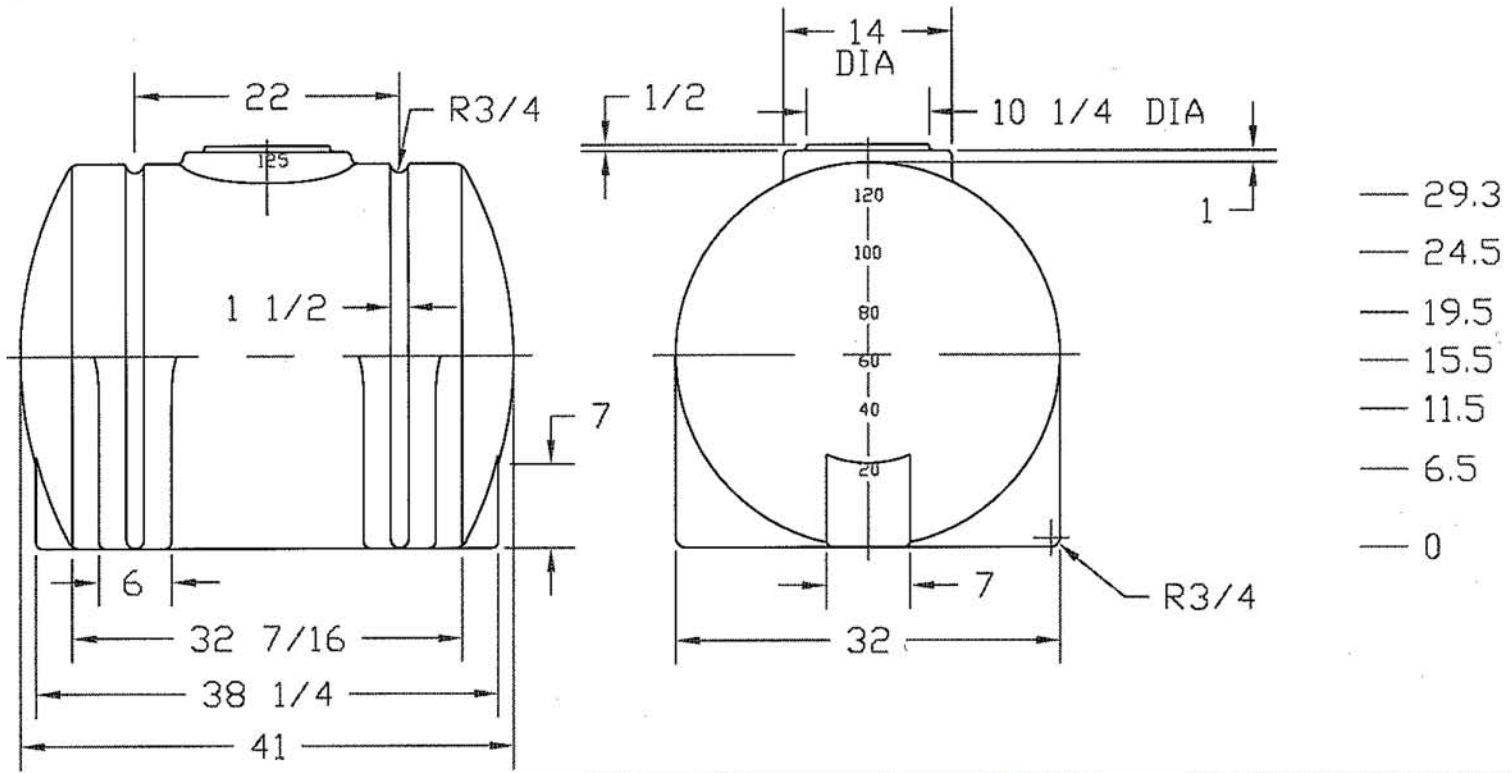


REVISIONS				
ZONE	REV	DESCRIPTION	DATE	APPROVED
	A	REDRAWN	14AUG97	



8 1/4 ACME THD,
RH, FOR 60002 LID



GALLON MARKS BOTH ENDS

PEABODY
engineering

125 GALLON HORIZONTAL
LEG TANK

JTP	14AUG97	SIZE A	FSCM NO.	DWG NO.	REV A
-----	---------	-----------	----------	---------	----------

SCALE 1/16 SHEET