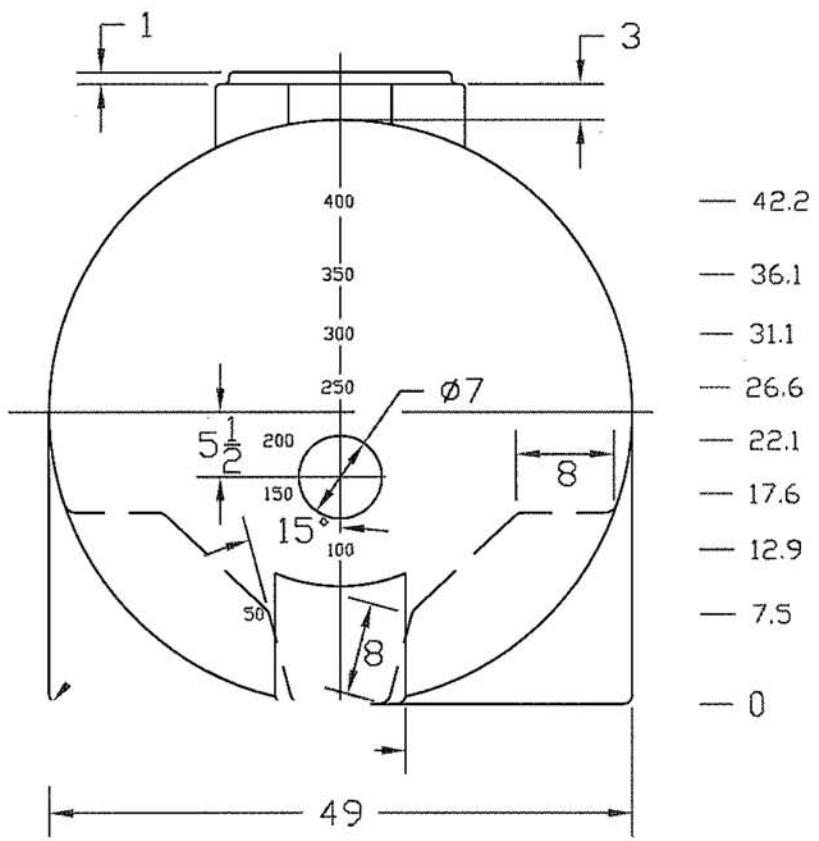
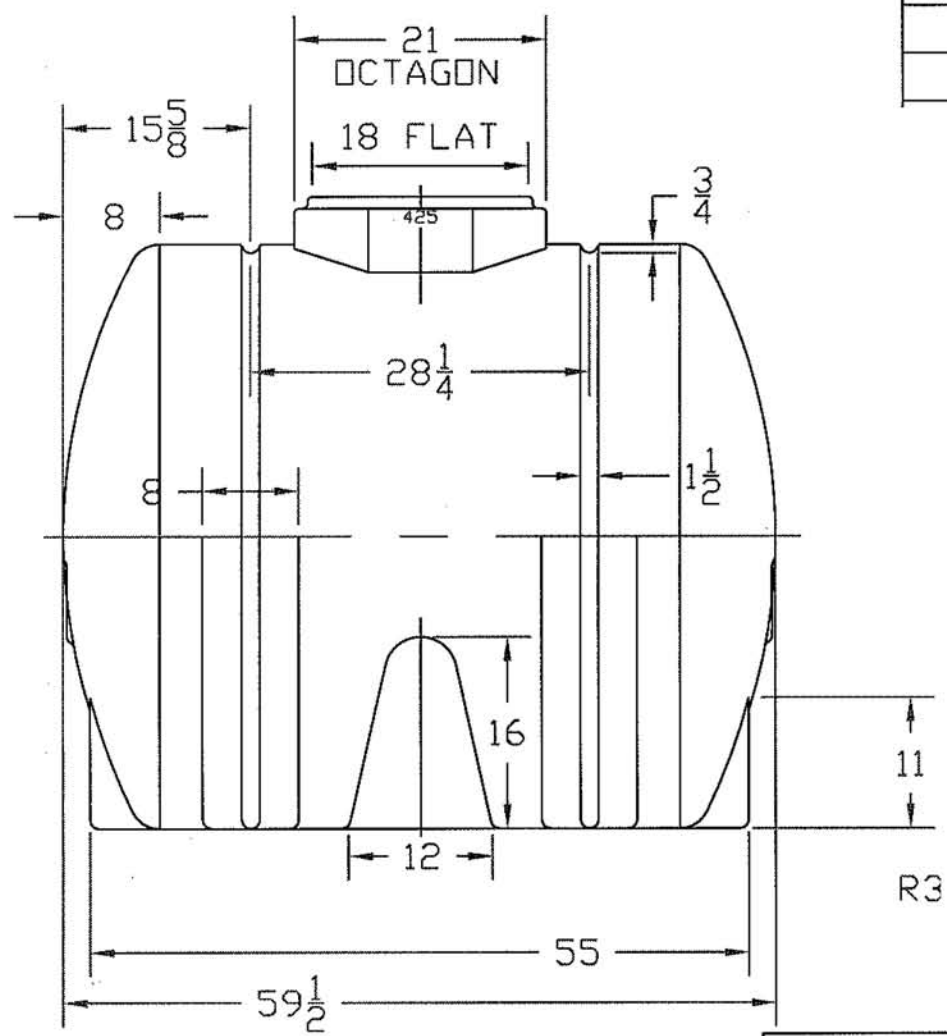



REVISIONS				
ZONE	REV	DESCRIPTION	DATE	APPROVED



NOTE: GALLONAGE MARKS ONE END

		425 GAL HORIZONTAL TANK		
		JTP 10JUL01	SIZE A	FSCM NO.
SCALE 1/16		SHEET		