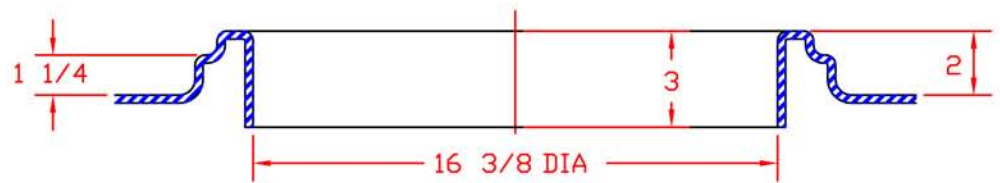
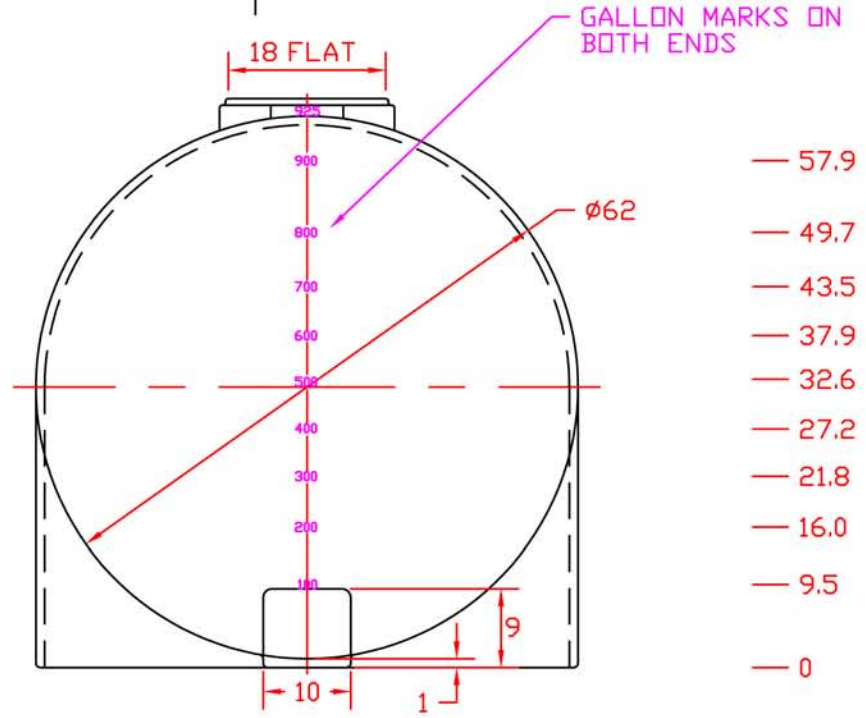
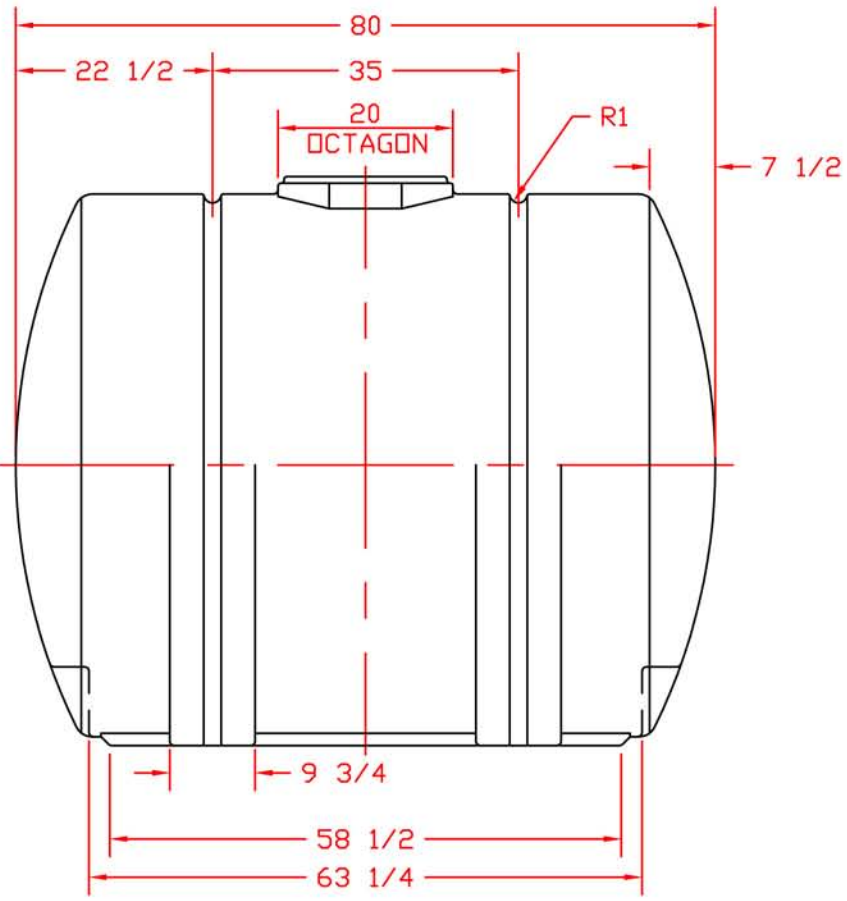


| REVISIONS |     |             |      |          |
|-----------|-----|-------------|------|----------|
| ZONE      | REV | DESCRIPTION | DATE | APPROVED |
|           |     |             |      |          |



FILL AREA, 1/4 SCALE

|             |  |        |          |                            |     |
|-------------|--|--------|----------|----------------------------|-----|
| JTP 16SEP99 |  |        |          | 925 GALLON HORIZONTAL TANK |     |
|             |  | SIZE B | FSCM NO. | DWG NO.                    | REV |
| SCALE 1/16  |  | SHEET  |          |                            |     |