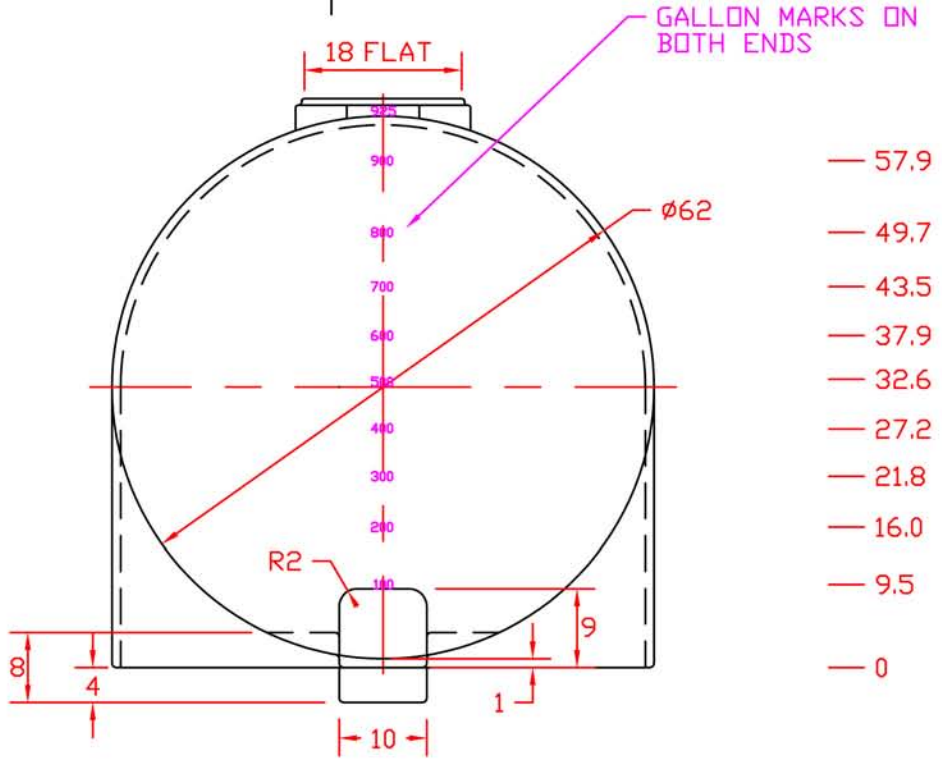
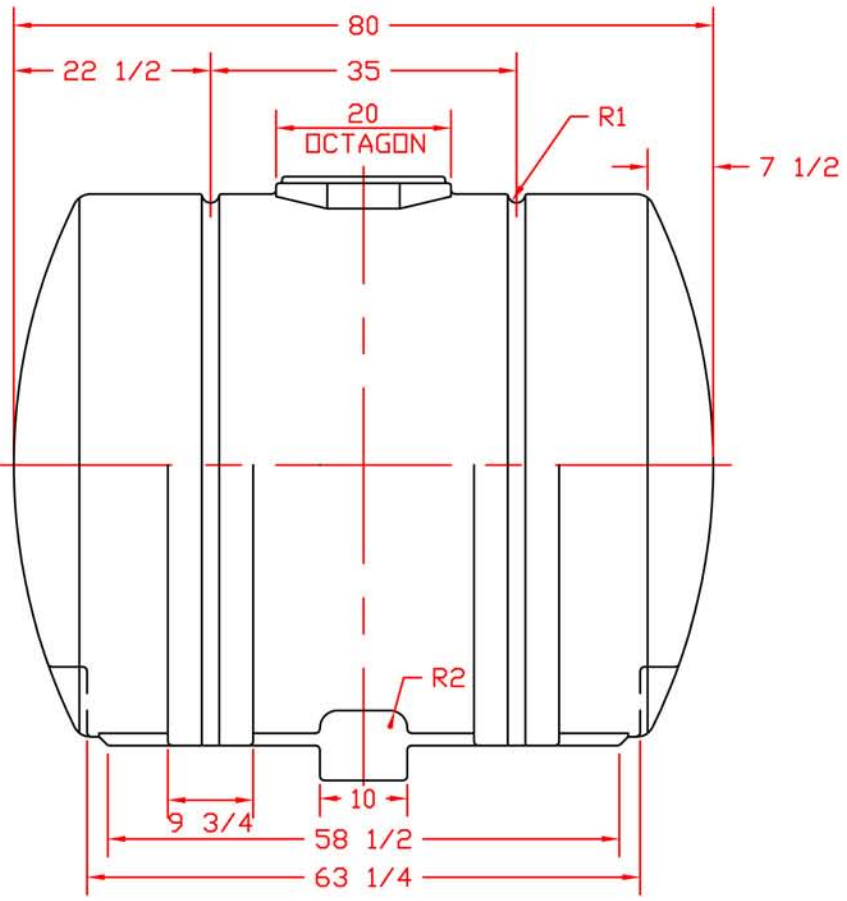


REVISIONS				DATE	APPROVED
ZONE	REV	DESCRIPTION			



FILL AREA, 1/4 SCALE

JTP 16SEP99				925 GALLON HORIZONTAL TANK WITH SUMP	
		SIZE B	FSCM NO.	DWG NO.	REV
SCALE 1/16		SHEET			