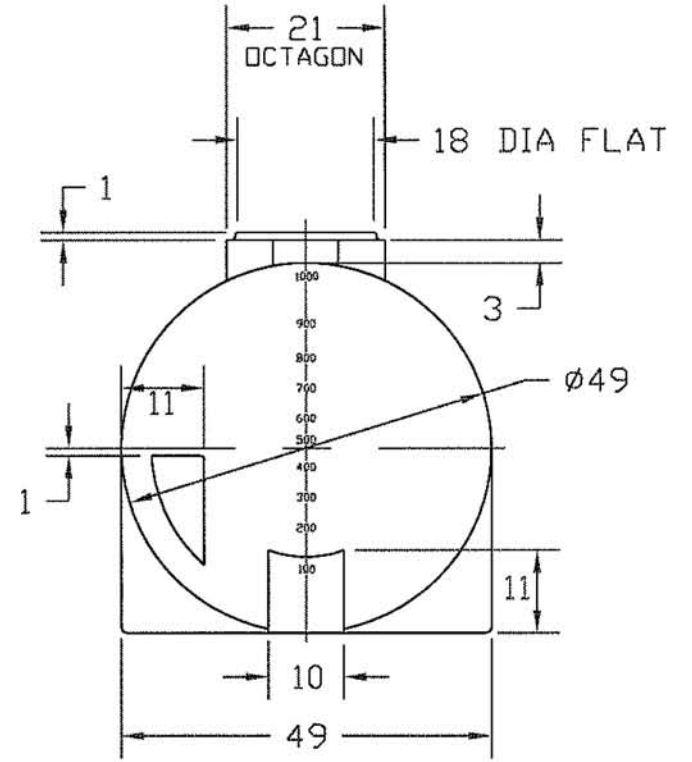
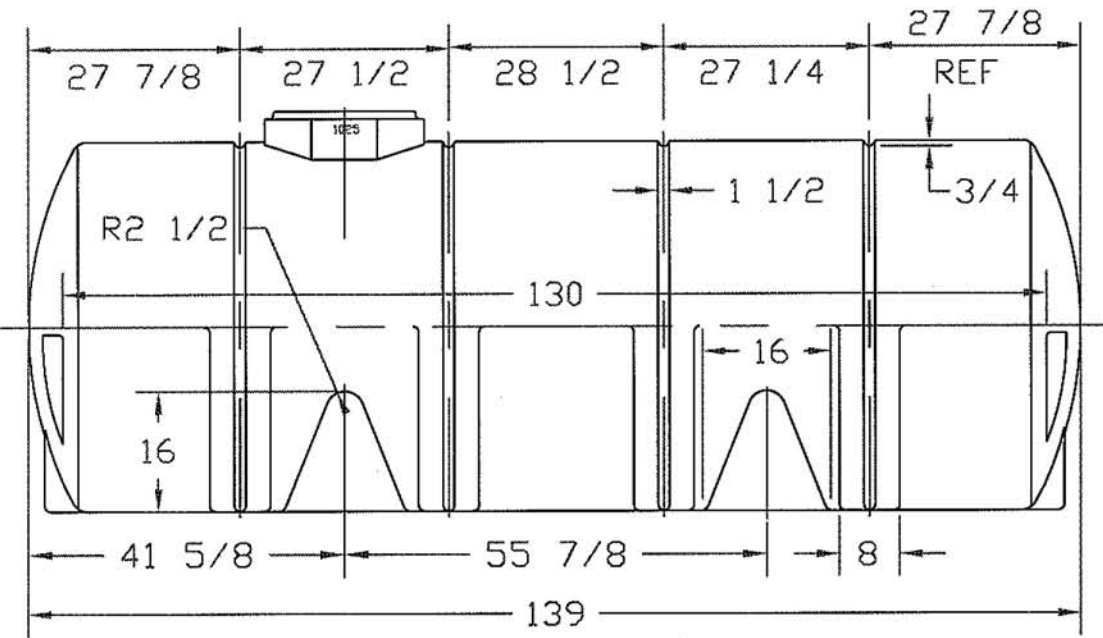


REVISIONS				
ZONE	REV	DESCRIPTION	DATE	APPROVED
	C	REDRAWN	06MAY97	



		 PEABODY engineering	
		1025 GALLON HORIZONTAL STORAGE TANK	
JTP	06MAY97	SIZE A	FSCM NO.
		DWG NO.	REV C
		SCALE 1/24	SHEET