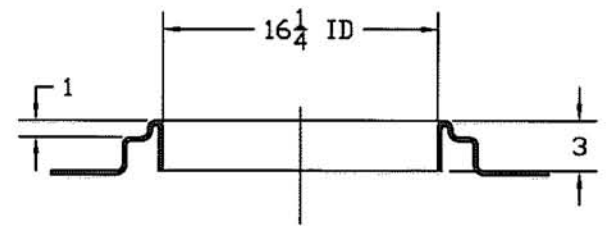
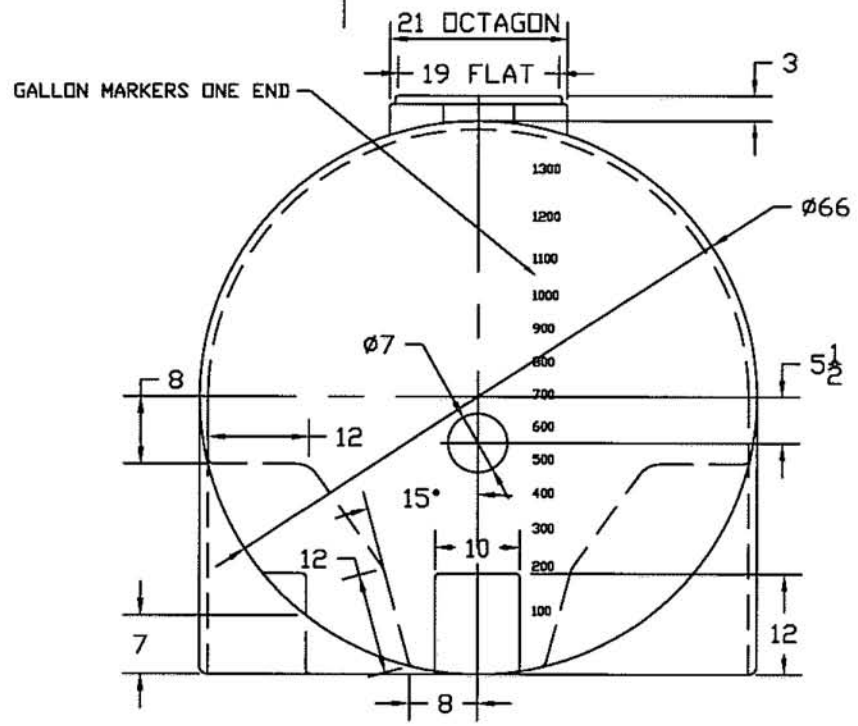
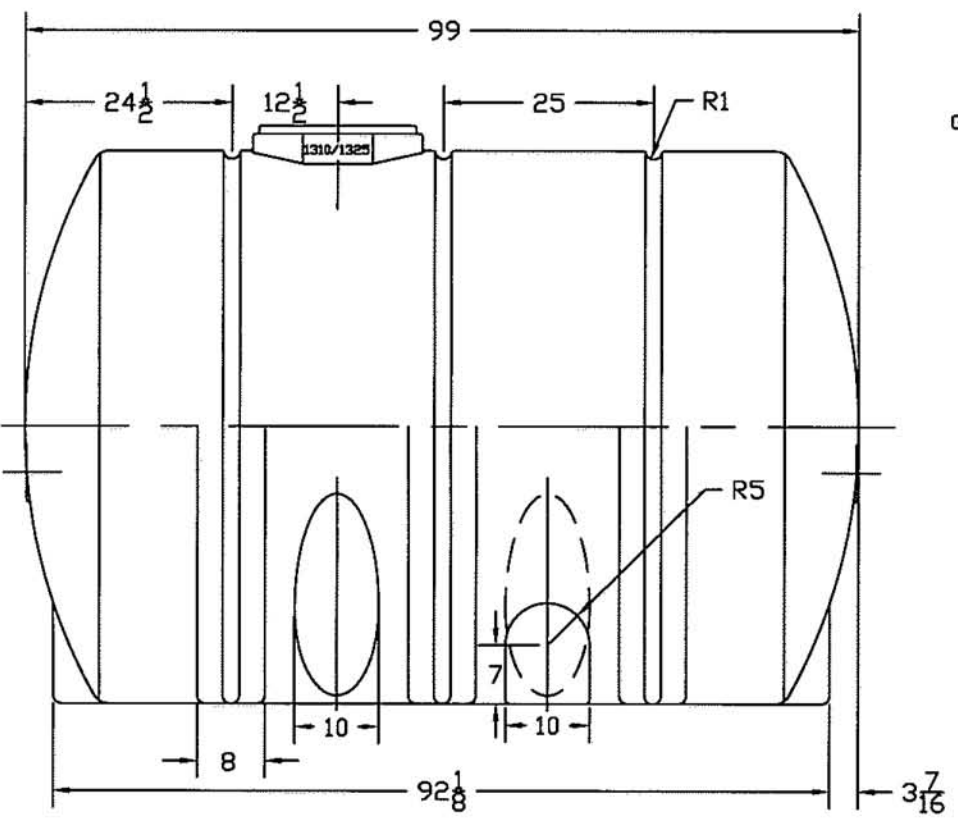


REVISIONS				
ZONE	REV	DESCRIPTION	DATE	APPROVED



FILLWELL DETAIL - 1/8" SCALE

JTP 04AUG03				1325 GALLON HORIZONTAL LEG TANK	
		SIZE B	FSCM NO.	DWG NO.	REV
SCALE 1/16		SHEET			