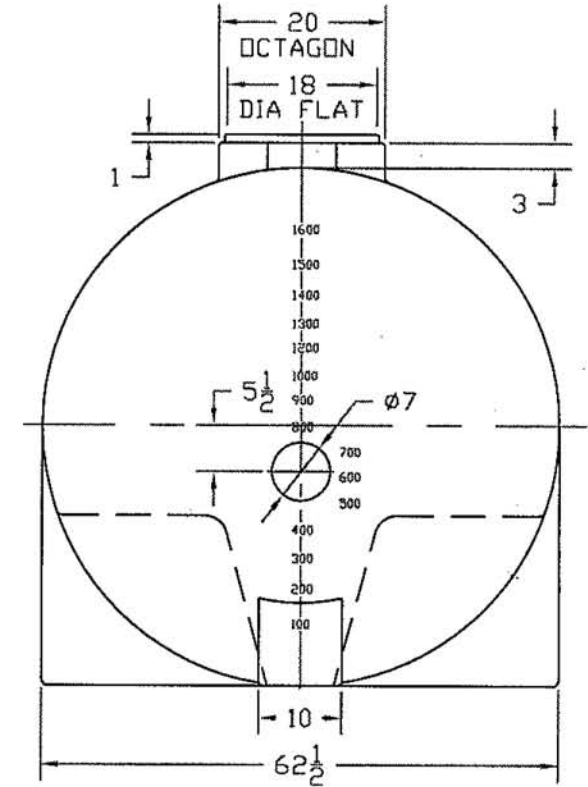
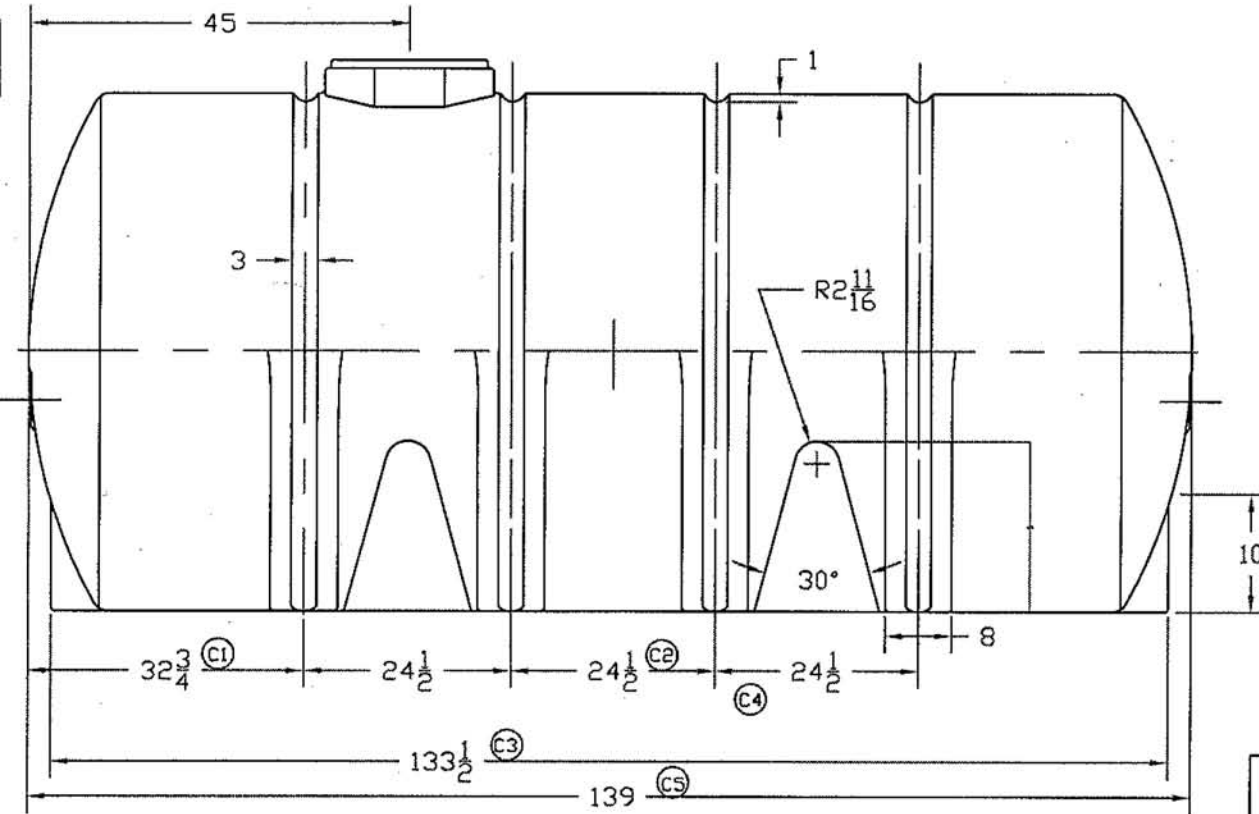



REVISIONS				
ZONE	REV	DESCRIPTION	DATE	APPROVED
	D	SPARGER FLATS REV'D.	17AUG04	

REVISIONS				
ZONE	REV	DESCRIPTION	DATE	APPROVED
	B	REDDRAWN	14AUG97	
	C	DIMS MATCHED TO PROD	23OCT01	
		1) 132, 2) 21,		
		3) 129-1/4, 4) 131, 5) 134		



		 PEABODY engineering			
		1625 GALLON HORIZONTAL LEG TANK			
JTP	14AUG97	SIZE B	FSCM NO.	DWG NO.	REV D
		SCALE 1/16			SHEET