

8

7

6

5

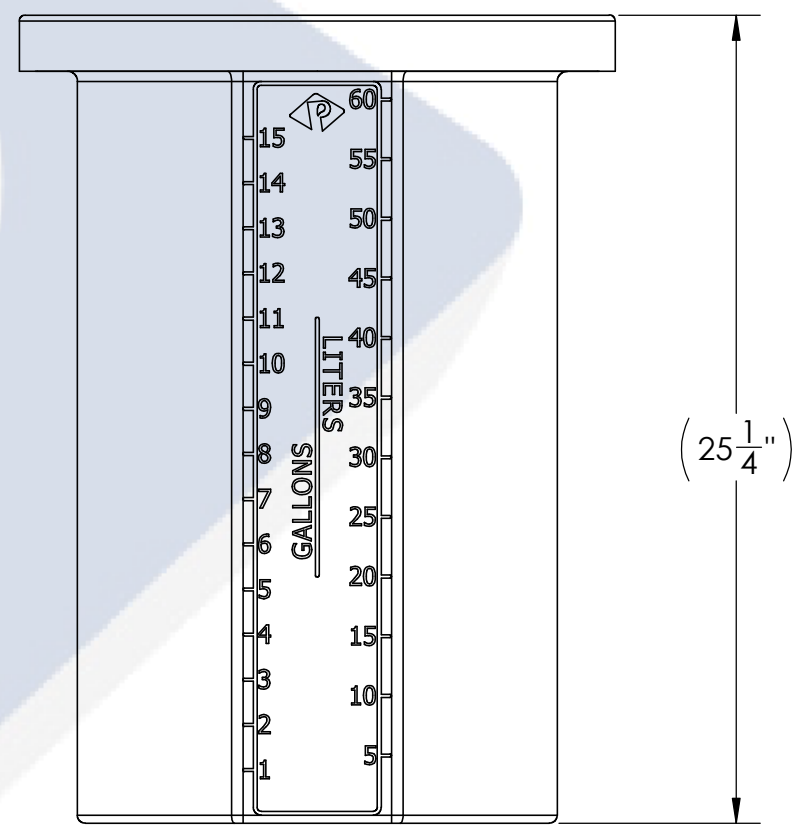
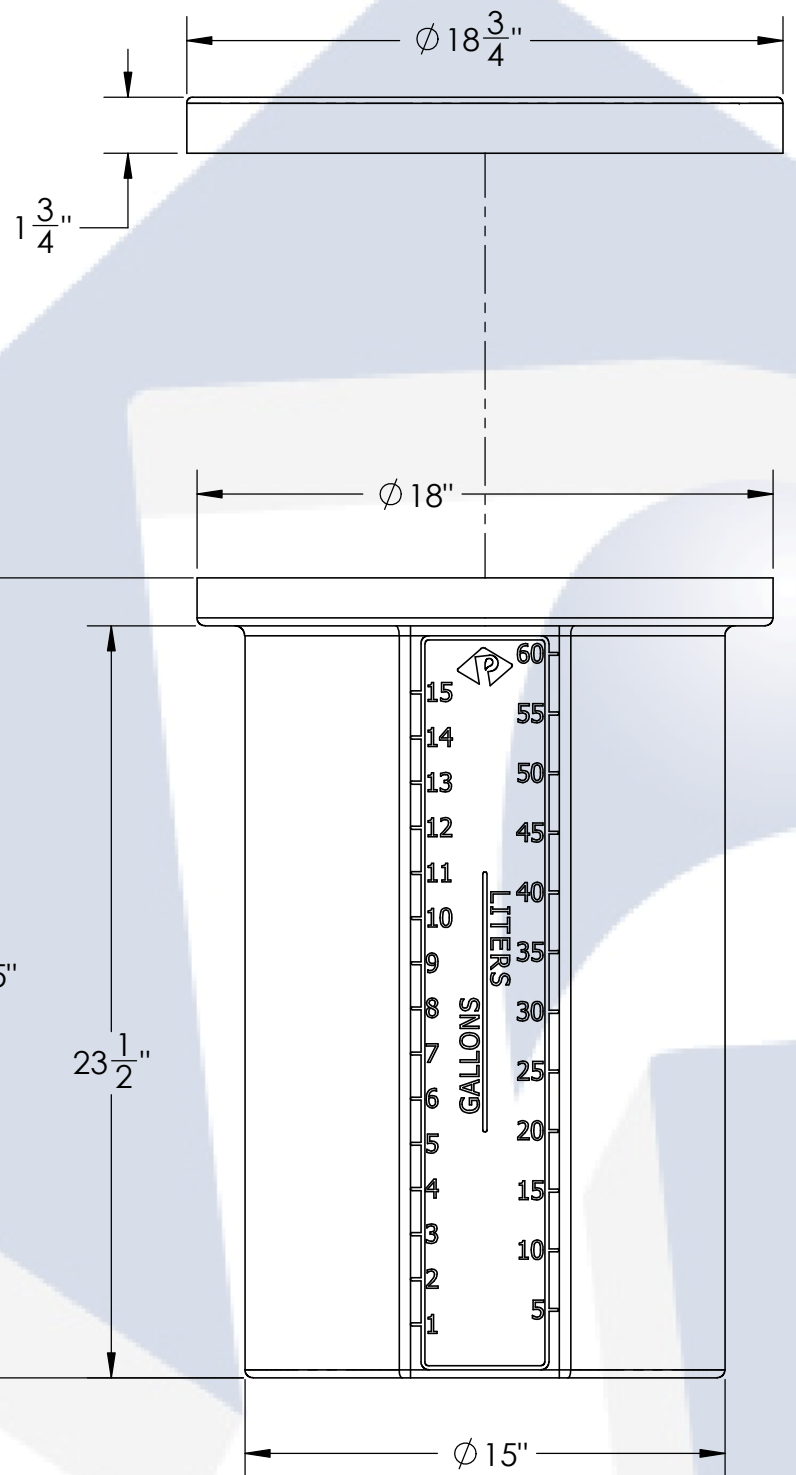
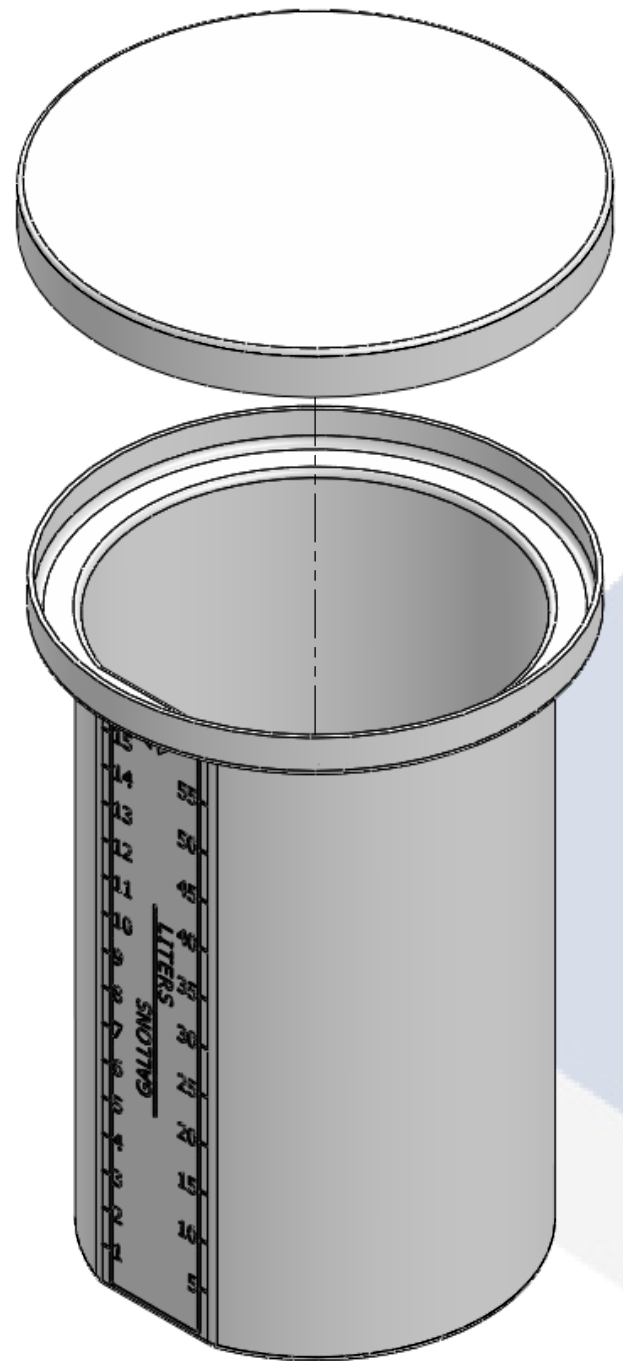
4

3

2

1

15 GALLON OPEN TOP	PART NUMBER	
	BLUE	NATURAL
STANDARD (1.5 SPG)	01-29476	01-28961



- NOTES:**
- CAPACITY: 15 GAL. NOMINAL
  - APPROXIMATE WEIGHT: 12 LBS
  - TANK MATERIAL: HDLPE W/ UV INHIBITOR
  - SERVICE PRESSURE: ATMOSPHERIC

**PROPRIETARY AND CONFIDENTIAL**  
 THE INFORMATION CONTAINED IN THIS DRAWING IS THE SOLE PROPERTY OF PEABODY ENGINEERING. ANY REPRODUCTION IN PART OR AS A WHOLE WITHOUT THE WRITTEN PERMISSION OF PEABODY ENGINEERING IS PROHIBITED.

UNLESS OTHERWISE SPECIFIED:		NAME	DATE	
DIMENSIONS ARE IN INCHES TOLERANCES: ±1/4" ANGULAR: ±.5° ONE PLACE DECIMAL: ±.25 TWO PLACE DECIMAL: ±.125 THREE PLACE DECIMAL: ±.063	DRAWN	MSM	02/24/14	
TANK MATERIAL: HDPE	CHECKED			PROJECT: 15 GALLON OPEN TOP TANK ASSEMBLY
INNER TANK S/N:	ENG APPR.			CUSTOMER: PEABODY STANDARD
OUTER TANK S/N:	MFG APPR.			SITE/LOCATION: -
CUSTOMER PO#	Q.A.			DRAWING#: SEE TABLE
DO NOT SCALE DRAWING	<b>ALTERNATIVE VERSIONS</b>			SIZE: B
	MATERIALS: XLPE, PPL, PVDF COLORS: NATURAL, BLUE OR BLACK AVAILABLE WITH FRP WRAP			DESC. PEABODY 15 GALLON OPEN TOP
	CALL FOR PART NUMBERS			REV. F
	SCALE: 1:6			SHEET 1 OF 1

8

7

6

5

4

3

2

1