

8

7

6

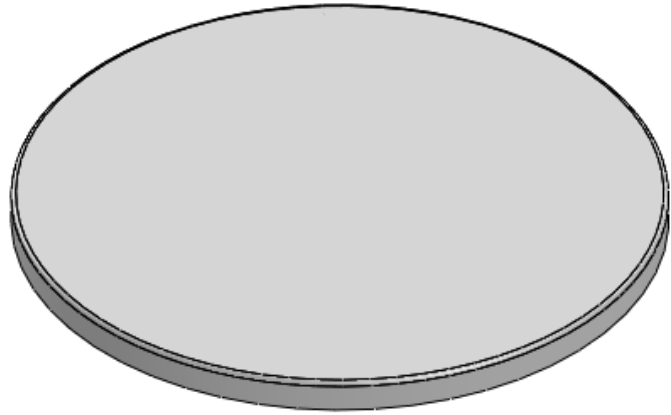
5

4

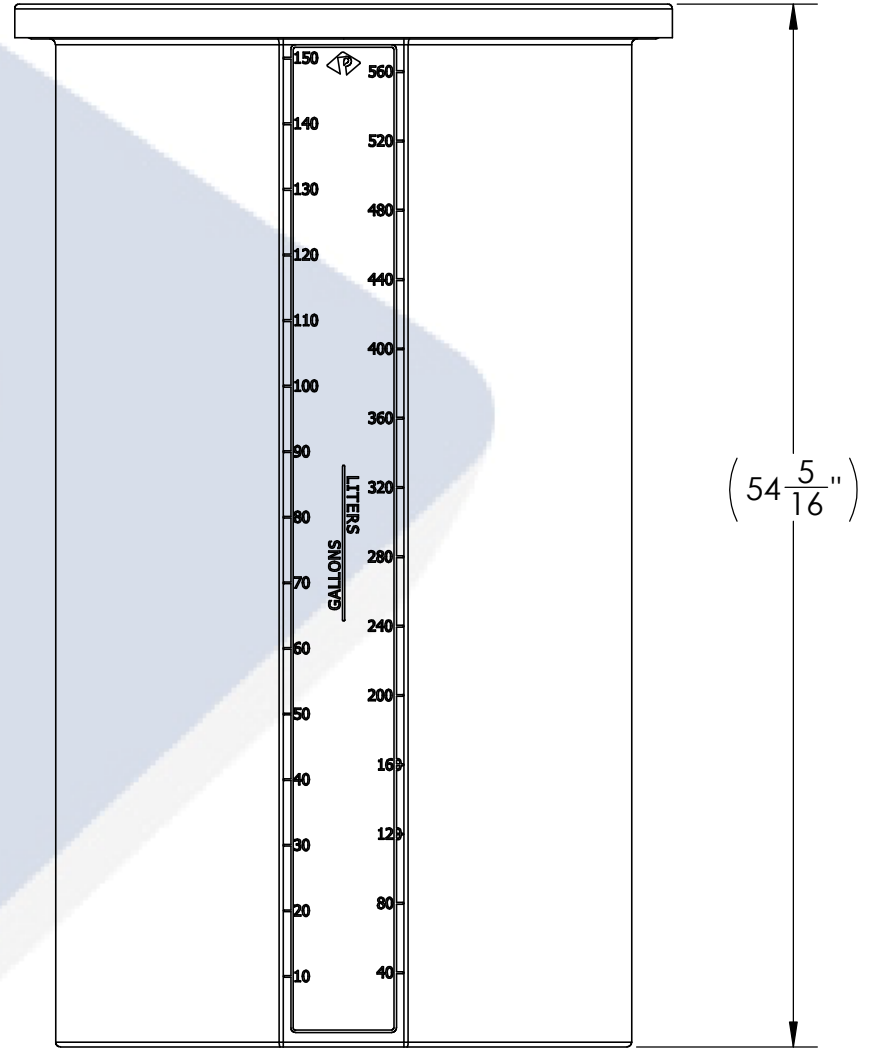
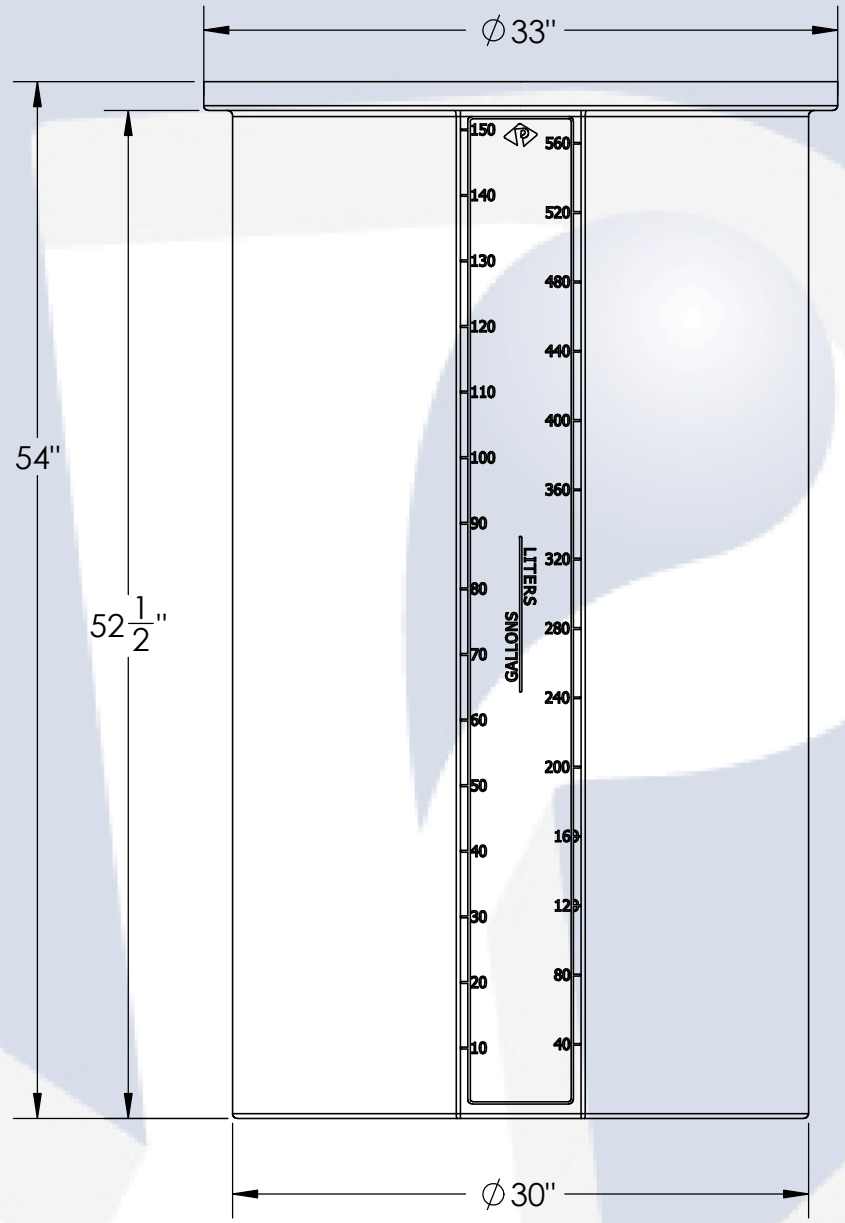
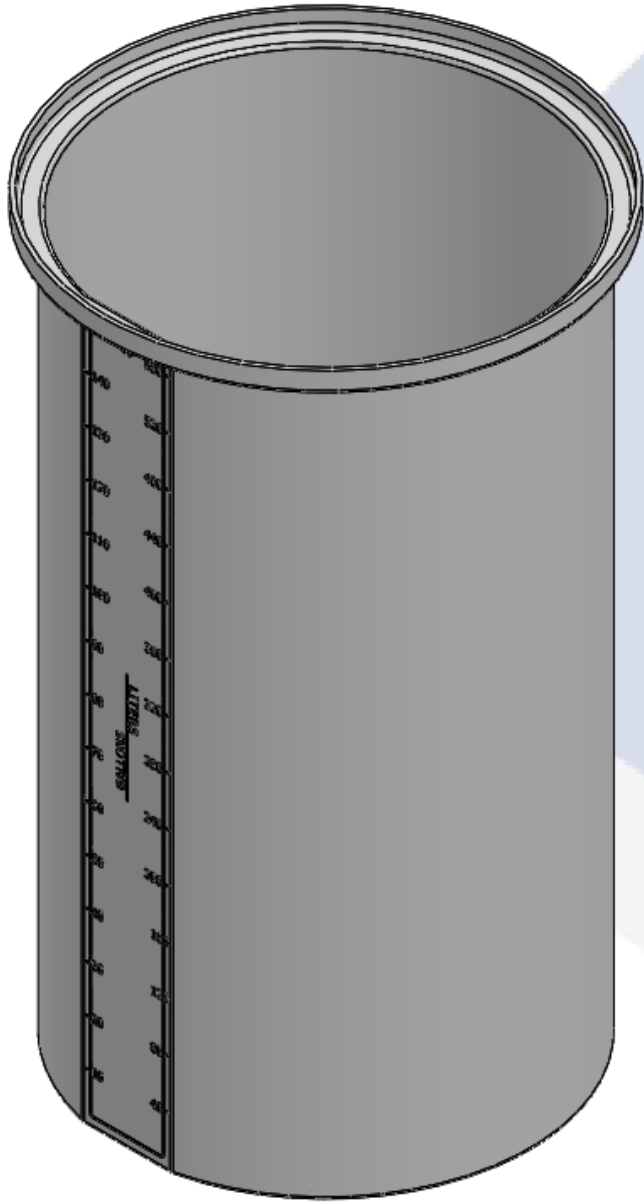
3

2

1



150 GALLON OPEN TOP	PART NUMBER	
	BLUE	NATURAL
STANDARD (1.5 SPG)	01-29601	01-28969



D

D

C

C

B

B

A

A

NOTES:

- CAPACITY: 150 GAL. NOMINAL
- APPROXIMATE WEIGHT: 60 LBS
- TANK MATERIAL: HDLPE W/ UV INHIBITOR
- SERVICE PRESSURE: ATMOSPHERIC

PROPRIETARY AND CONFIDENTIAL
 THE INFORMATION CONTAINED IN THIS DRAWING IS THE SOLE PROPERTY OF PEABODY ENGINEERING. ANY REPRODUCTION IN PART OR AS A WHOLE WITHOUT THE WRITTEN PERMISSION OF PEABODY ENGINEERING IS PROHIBITED.

UNLESS OTHERWISE SPECIFIED: DIMENSIONS ARE IN INCHES TOLERANCES: ±1/4" ANGULAR: ± .5° ONE PLACE DECIMAL: ± .25 TWO PLACE DECIMAL: ± .125 THREE PLACE DECIMAL: ± .063	DRAWN	NAME	DATE	
	CHECKED	MSM	11/25/13	
	ENG APPR.			
	MFG APPR.			
TANK MATERIAL: HDPE	Q.A.			PROJECT: 150 GALLON OPEN TOP TANK ASSEMBLY
INNER TANK S/N:	ALTERNATIVE VERSIONS			CUSTOMER: PEABODY STANDARD
OUTER TANK S/N:	MATERIALS: XLPE, PPL, PVDF COLORS: NATURAL, BLUE OR BLACK AVAILABLE WITH FRP WRAP			SITE/LOCATION: -
CUSTOMER PO#	CALL FOR PART NUMBERS			DRAWING#: SEE TABLE
DO NOT SCALE DRAWING	SIZE	DESC.	REV.	
	B	PEABODY 150 GALLON OPEN TOP	C	
	SCALE: 1:10		SHEET 1 OF 1	

8

7

6

5

4

3

2

1