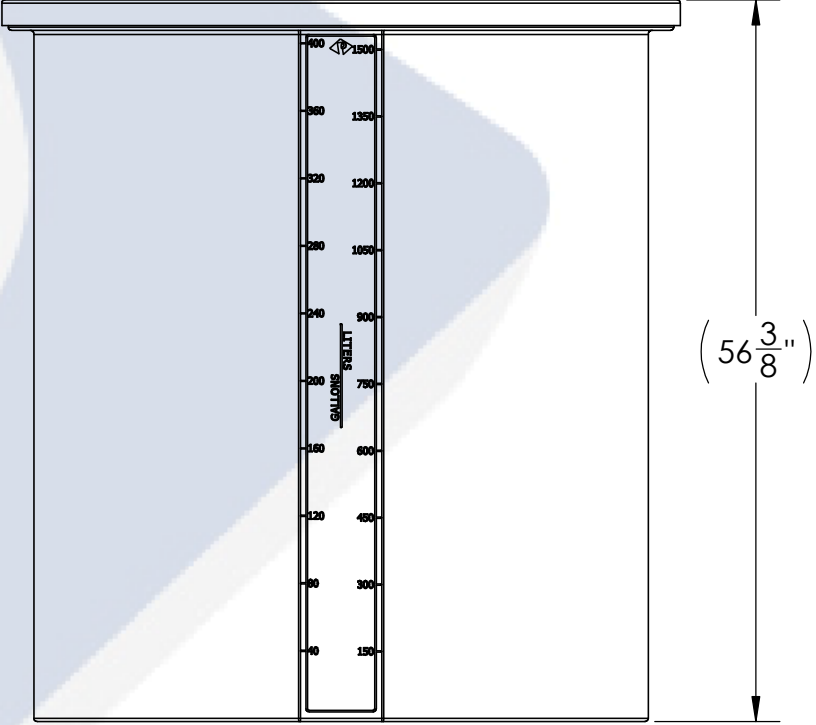
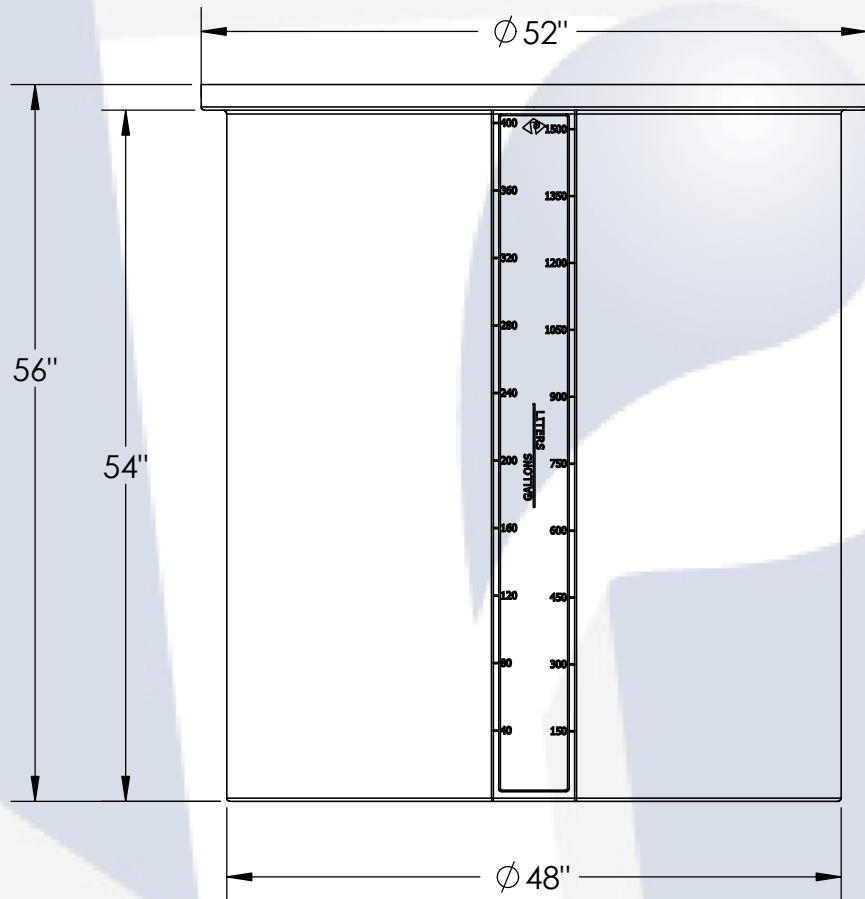
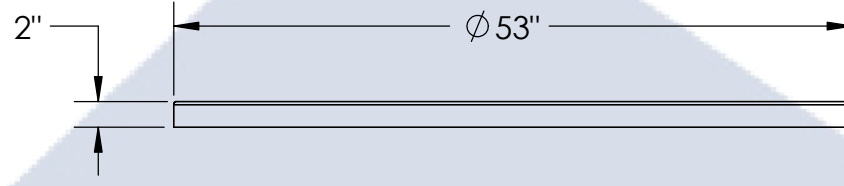
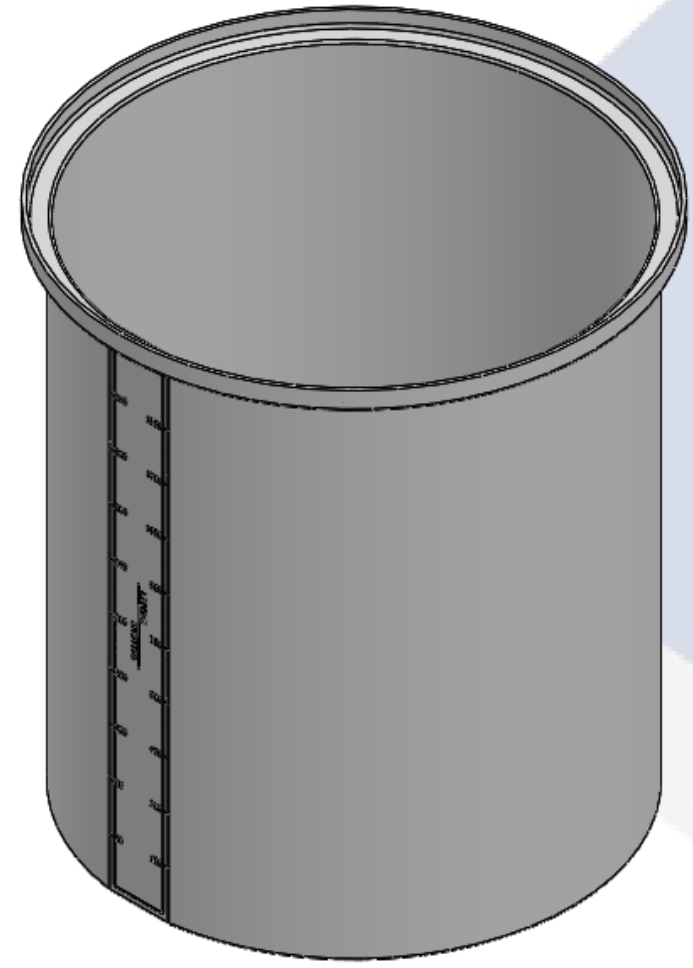
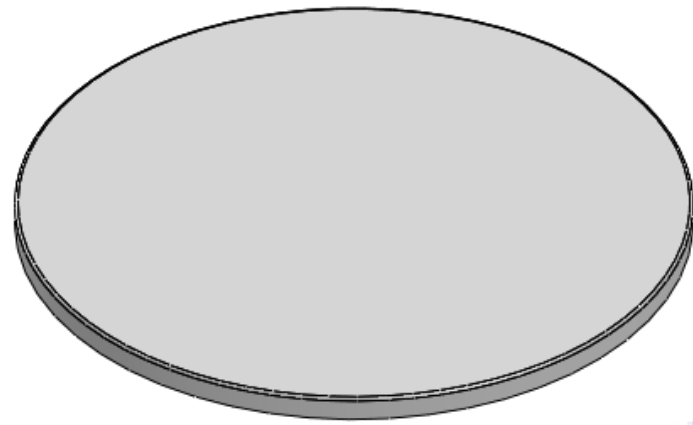


8 7 6 5 4 3 2 1

400 GALLON OPEN TOP	PART NUMBER	
	BLUE	NATURAL
STANDARD (1.5 SPG)	01-29606	01-29053



D  
C  
B  
A

D  
C  
B  
A

- NOTES:**
- CAPACITY: 400 GAL. NOMINAL
  - APPROXIMATE WEIGHT: 130 LBS
  - TANK MATERIAL: HDLPE W/ UV INHIBITOR
  - SERVICE PRESSURE: ATMOSPHERIC

**PROPRIETARY AND CONFIDENTIAL**  
THE INFORMATION CONTAINED IN THIS DRAWING IS THE SOLE PROPERTY OF PEABODY ENGINEERING. ANY REPRODUCTION IN PART OR AS A WHOLE WITHOUT THE WRITTEN PERMISSION OF PEABODY ENGINEERING IS PROHIBITED.

UNLESS OTHERWISE SPECIFIED:		NAME	DATE
DIMENSIONS ARE IN INCHES	DRAWN	MSM	11/25/13
TOLERANCES: ±1/4"	CHECKED		
ANGULAR: ±.5°	ENG APPR.		
ONE PLACE DECIMAL: ±.25	MFG APPR.		
TWO PLACE DECIMAL: ±.125	Q.A.		
THREE PLACE DECIMAL: ±.063	<b>ALTERNATIVE VERSIONS</b>		
TANK MATERIAL: HDPE	MATERIALS: XLPE, PPL, PVDF		
INNER TANK S/N:	COLORS: NATURAL, BLUE OR BLACK		
OUTER TANK S/N:	AVAILABLE WITH FRP WRAP		
CUSTOMER PO#	CALL FOR PART NUMBERS		
DO NOT SCALE DRAWING			



PROJECT: 400 GALLON OPEN TOP TANK ASSEMBLY			
CUSTOMER: PEABODY STANDARD			
SITE/LOCATION: -			
DRAWING#: SEE ABOVE			
SIZE	DESC.	REV.	
B	PEABODY 400 GALLON OPEN TOP	B	
SCALE: 1:15		SHEET 1 OF 1	

8 7 6 5 4 3 2 1