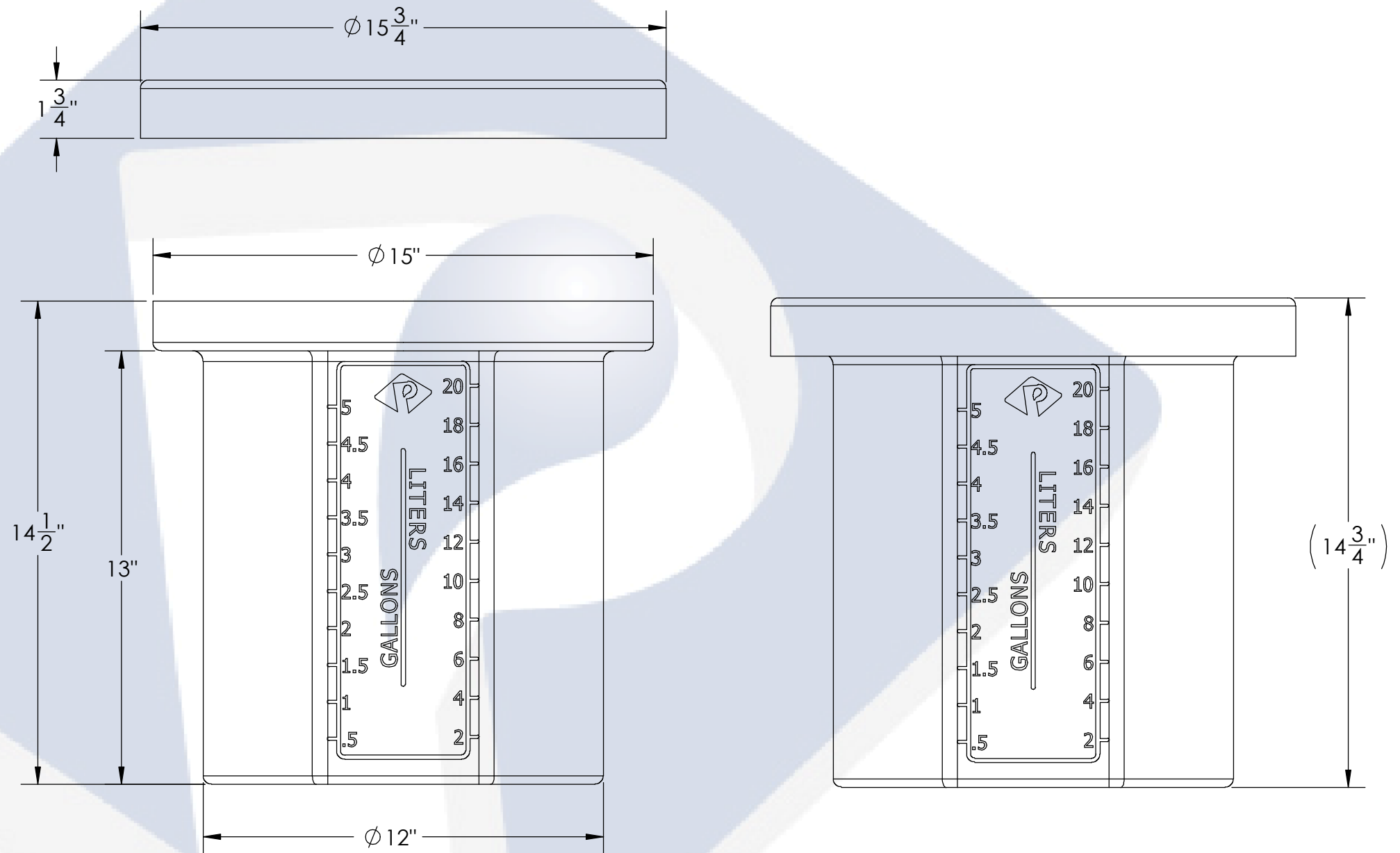
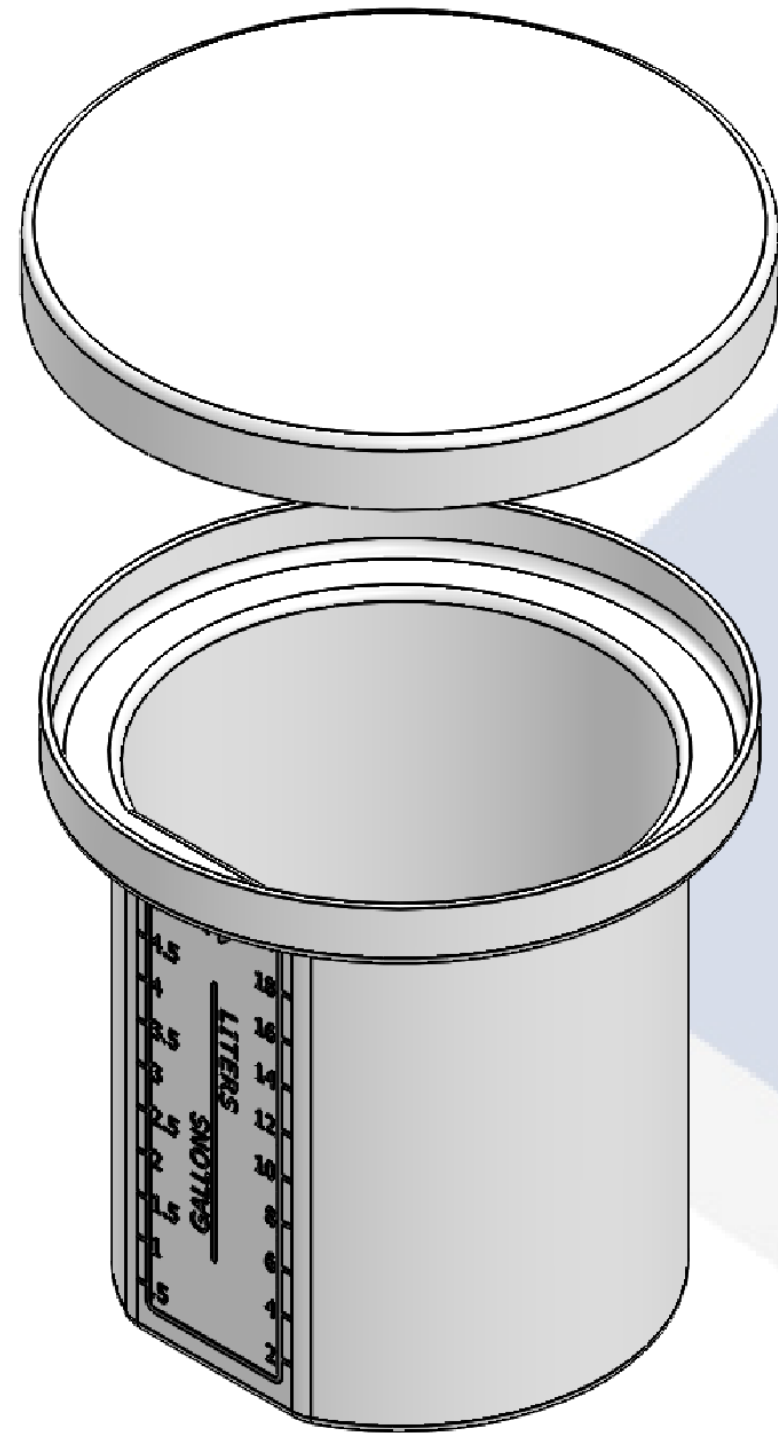


5 GALLON OPEN TOP	PART NUMBER	
	BLUE	NATURAL
STANDARD (1.5 SPG)	01-29593	01-28958



- NOTES:**
- CAPACITY: 5 GAL. NOMINAL
  - APPROXIMATE WEIGHT: 6 LBS
  - TANK MATERIAL: HDPE W/ UV INHIBITOR
  - SERVICE PRESSURE: ATMOSPHERIC

**PROPRIETARY AND CONFIDENTIAL**  
 THE INFORMATION CONTAINED IN THIS DRAWING IS THE SOLE PROPERTY OF PEABODY ENGINEERING. ANY REPRODUCTION IN PART OR AS A WHOLE WITHOUT THE WRITTEN PERMISSION OF PEABODY ENGINEERING IS PROHIBITED.

UNLESS OTHERWISE SPECIFIED:  
 DIMENSIONS ARE IN INCHES  
 TOLERANCES: ±1/4"  
 ANGULAR: ±.5°  
 ONE PLACE DECIMAL: ±.25  
 TWO PLACE DECIMAL: ±.125  
 THREE PLACE DECIMAL: ±.063

TANK MATERIAL: **HDPE**

INNER TANK S/N:

OUTER TANK S/N:

CUSTOMER PO#

DO NOT SCALE DRAWING

NAME	DATE
DRAWN <b>MSM</b>	11/25/13
CHECKED	
ENG APPR.	
MFG APPR.	
Q.A.	

**ALTERNATIVE VERSIONS**

**MATERIALS:** XLPE, PPL, PVDF  
**COLORS:** NATURAL, BLUE OR BLACK  
 AVAILABLE WITH FRP WRAP

**CALL FOR PART NUMBERS**

PROJECT: **5 GALLON OPEN TOP TANK ASSEMBLY**

CUSTOMER: **PEABODY STANDARD**

SITE/LOCATION: **-**

DRAWING#: **SEE TABLE**

SIZE	DESC.	REV.
<b>B</b>	<b>PEABODY 5 GALLON OPEN TOP</b>	<b>B</b>

SCALE: 1:5

SHEET **1** OF **1**