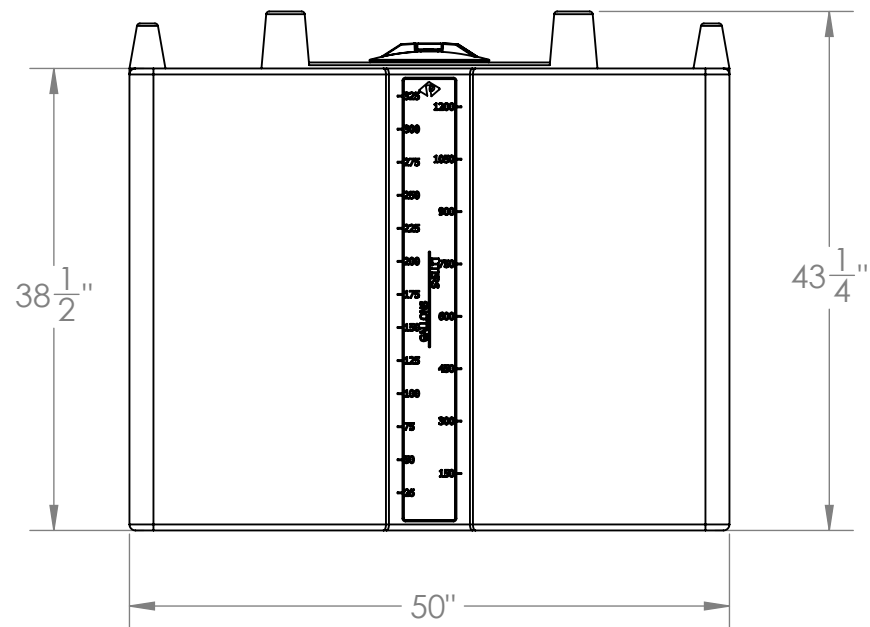
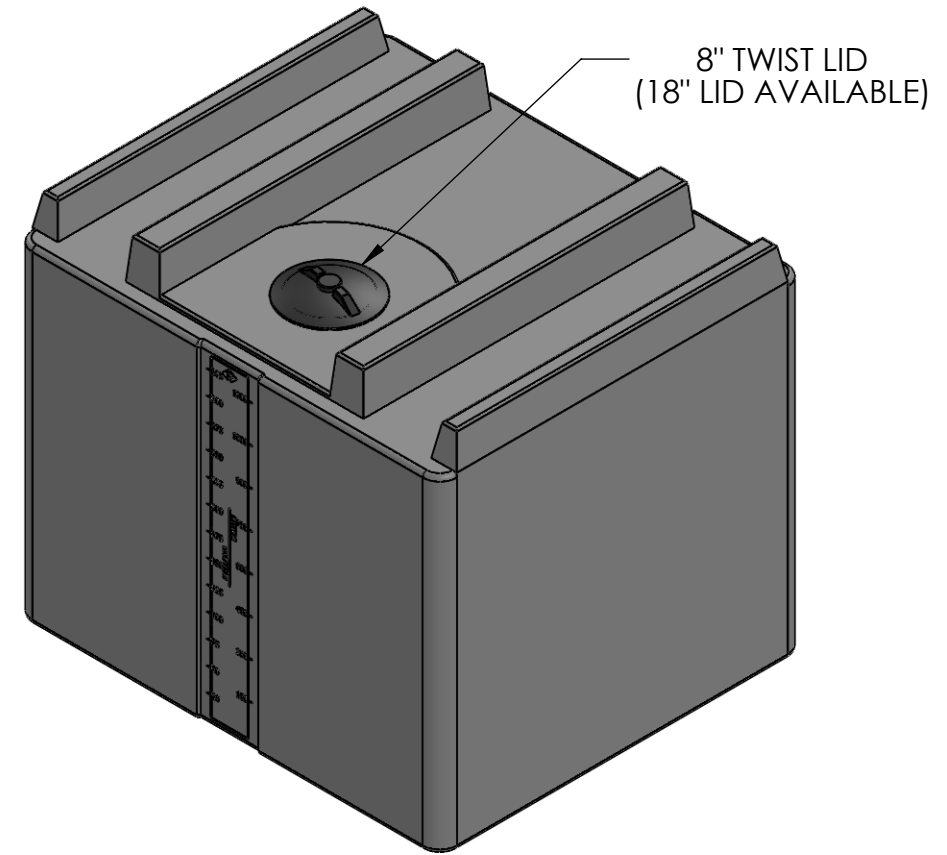


**PLAN VIEW**



**ELEVATION VIEW**



**ISOMETRIC VIEW**

**NOTES:**

1. CAPACITY: 330 GAL. NOMINAL
2. APPROXIMATE WEIGHT: 108.13 LBS
3. TANK MATERIAL: HDPE W/ UV INHIBITOR
4. SERVICE PRESSURE: ATMOSPHERIC

**PROPRIETARY AND CONFIDENTIAL**  
 THE INFORMATION CONTAINED IN THIS DRAWING IS THE SOLE PROPERTY OF PEABODY ENGINEERING. ANY REPRODUCTION IN PART OR AS A WHOLE WITHOUT THE WRITTEN PERMISSION OF PEABODY ENGINEERING IS PROHIBITED.

UNLESS OTHERWISE SPECIFIED:  
 DIMENSIONS ARE IN INCHES  
 TOLERANCES: ±1/4"  
 FRACTIONAL ±.5°  
 ONE PLACE DECIMAL ±  
 TWO PLACE DECIMAL ±  
 THREE PLACE DECIMAL ±

TANK MATERIAL: **HDPE**  
 INNER TANK S/N:  
 OUTER TANK S/N:  
 CUSTOMER PO#  
 DO NOT SCALE DRAWING

	NAME	DATE
DRAWN	<b>MSM</b>	<b>9/20/13</b>
CHECKED		
ENG APPR.		
MFG APPR.		
Q.A.		
COMMENTS:		

PROJECT: <b>330 GALLON RECTANGULAR TANK</b>		
CUSTOMER: <b>PEABODY STANDARD</b>		
SITE/LOCATION:		
DRAWING#: <b>01-30437</b>		
SIZE	DESC.	REV.
<b>B</b>		<b>F</b>
SCALE: 1:16		SHEET 1 OF 1