

8

7

6

5

4

3

2

1

D

D

C

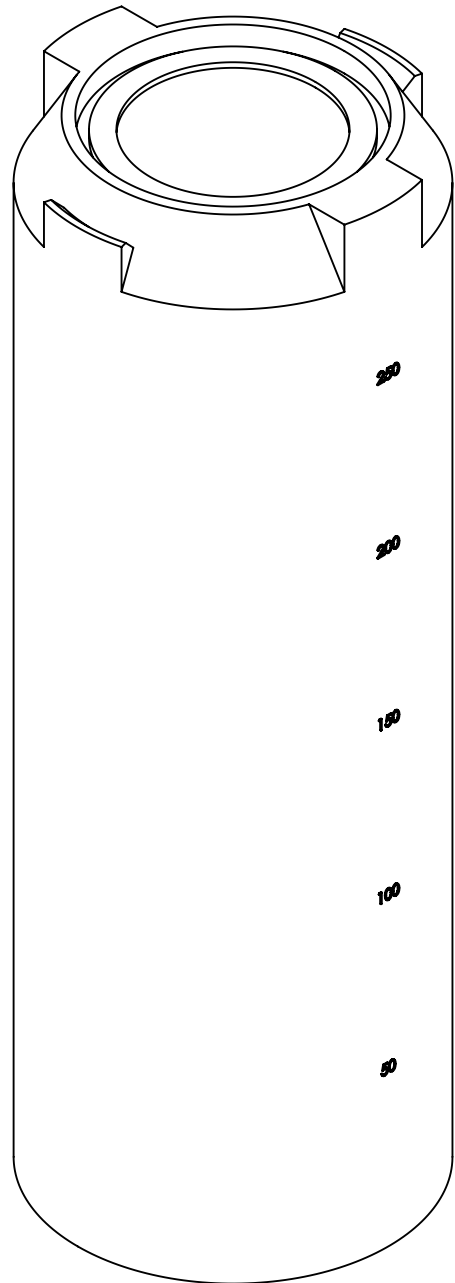
C

B

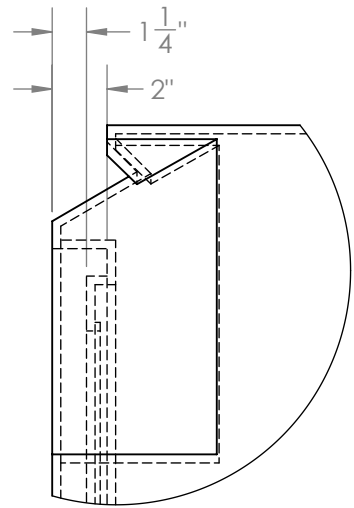
B

A

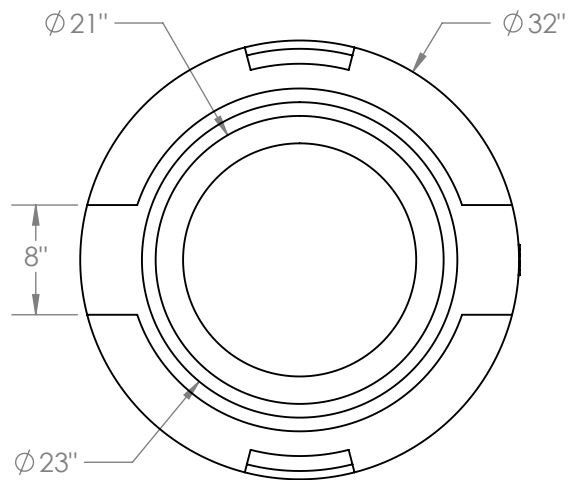
A



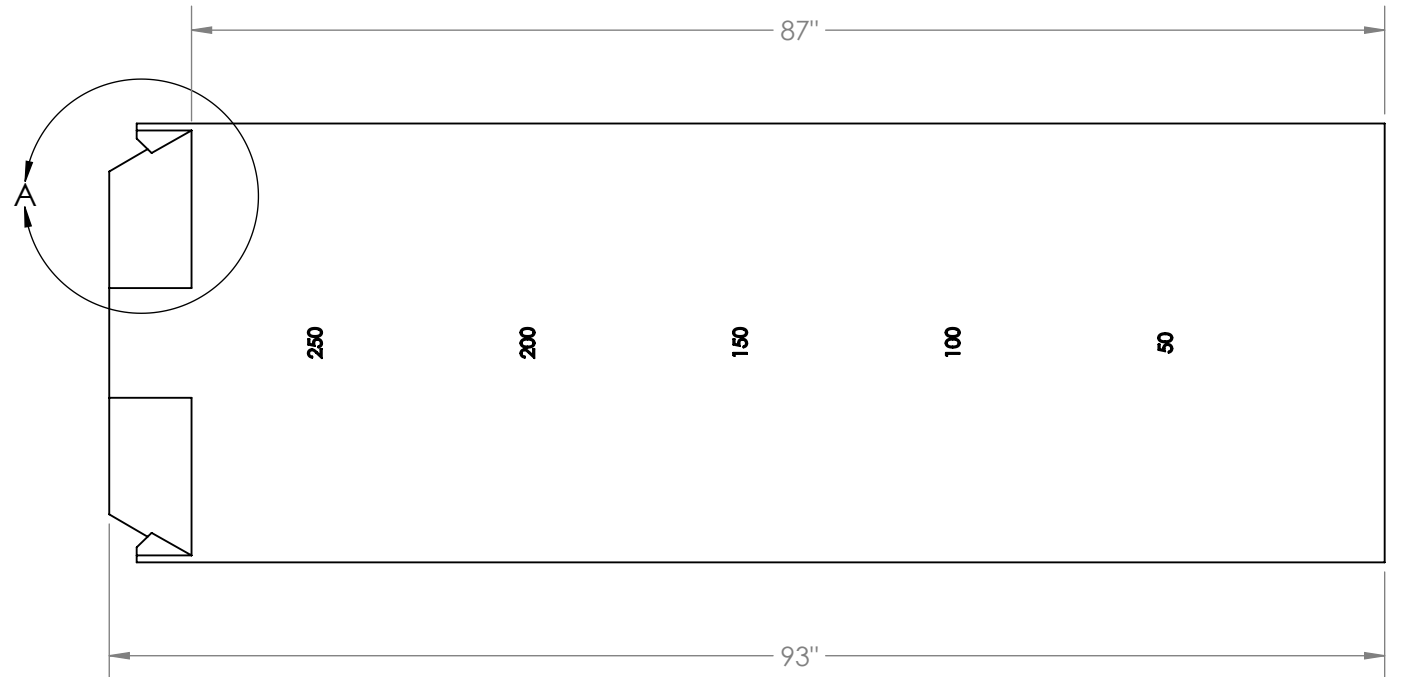
**ISO VIEW**



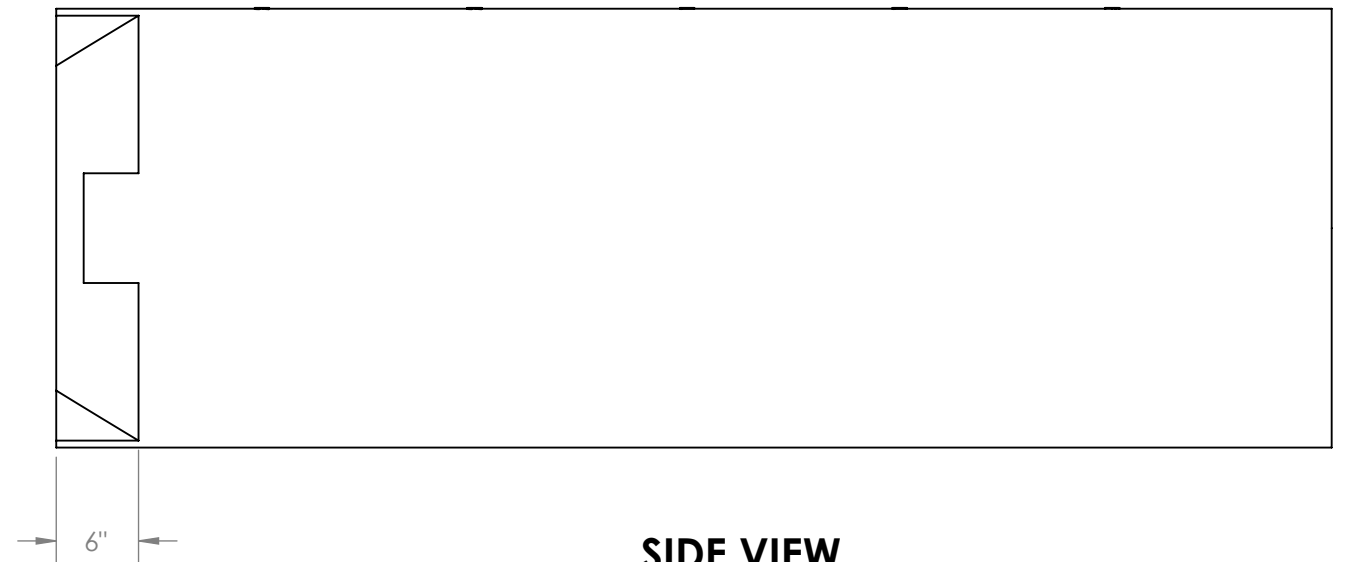
**DETAIL A**  
SCALE 1 : 7



**TOP VIEW**



**FRONT VIEW**



**SIDE VIEW**

**STANDARD SPECS:**  
16" FILL OPENING,  
(1) 2" POLYPROPYLENE FITTING  
WITH SIPHON TUBE  
IN STANDARD LOCATIONS

**PROPRIETARY AND CONFIDENTIAL**  
THE INFORMATION CONTAINED IN THIS  
DRAWING IS THE SOLE PROPERTY OF  
PEABODY ENGINEERING. ANY  
REPRODUCTION IN PART OR AS A WHOLE  
WITHOUT THE WRITTEN PERMISSION OF  
PEABODY ENGINEERING IS  
PROHIBITED.

UNLESS OTHERWISE SPECIFIED:

DIMENSIONS ARE IN INCHES  
TOLERANCES:  
FRACTIONAL ± 1/8"  
ONE PLACE DECIMAL ± .25"  
TWO PLACE DECIMAL ± .125"  
THREE PLACE DECIMAL ± .063"

TANK MATERIAL:

HDPE

INNER TANK S/N:

-

OUTER TANK S/N:

-

CUSTOMER PO#

-

DO NOT SCALE DRAWING

	NAME	DATE
DRAWN	NBH	6/7/16
CHECKED		
ENG APPR.		
MFG APPR.		
Q.A.		

COMMENTS:



PROJECT: -		
CUSTOMER: PEABODY STANDARD		
SITE/LOCATION: FOB: MN, OH		
DRAWING#:		
SIZE	DESC.	REV.
B	310 GA VERTICAL TANK Ø32" x 94"	
SCALE: 1:14		SHEET 1 OF 1