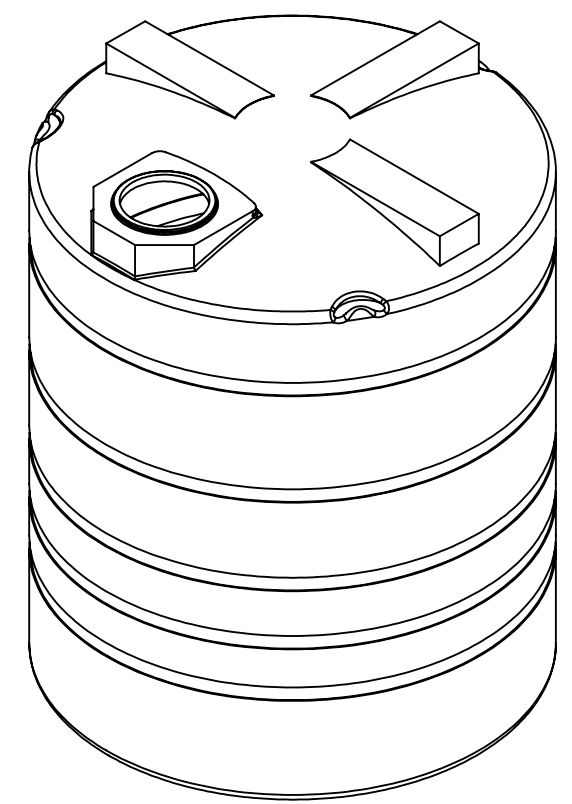
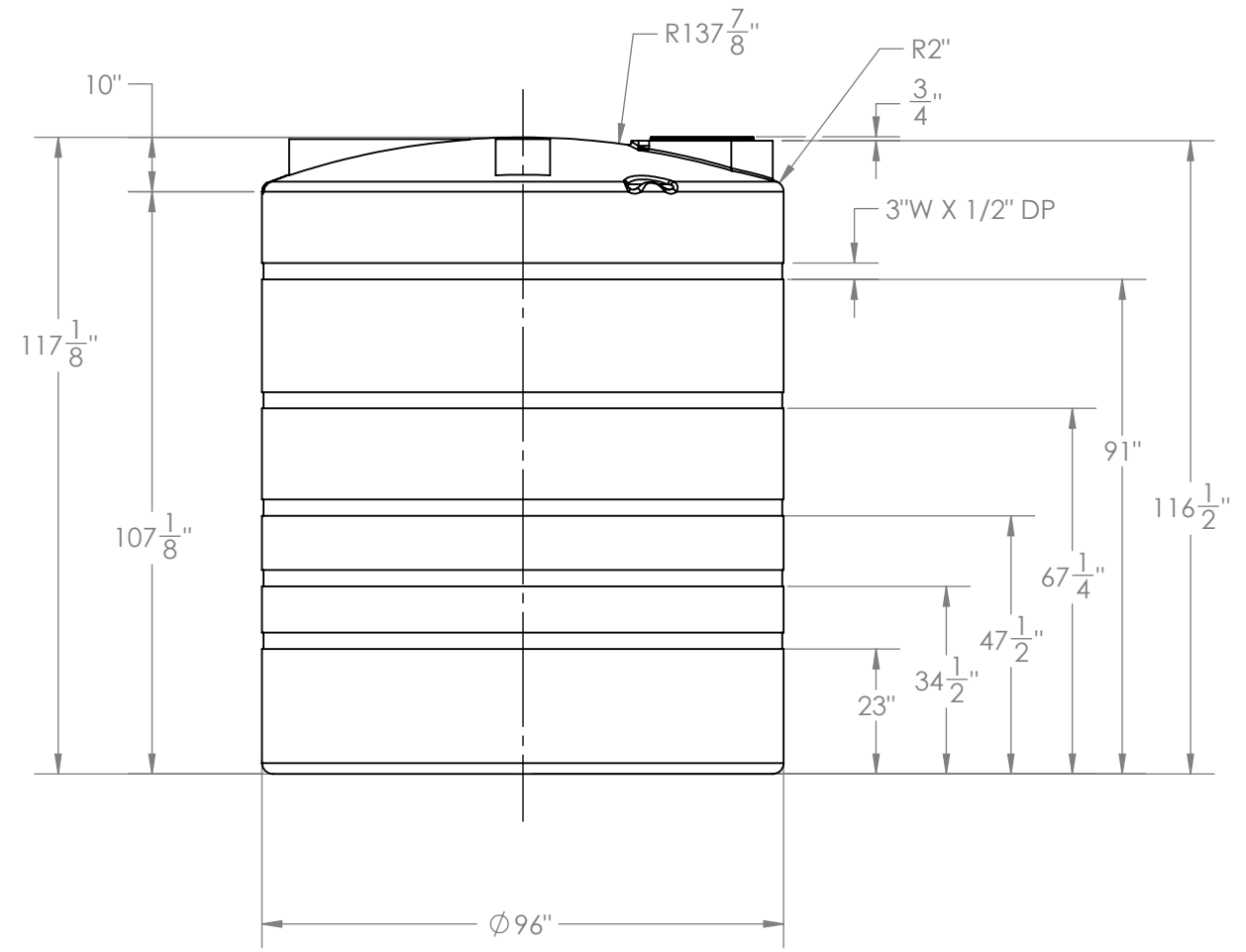


**TOP VIEW**



**ISO VIEW**



**SIDE VIEW**

**STANDARD SPECS**  
 16" FILL OPENINGS  
 WITH 2" FITTING & SIPHON TUBE  
 IN STANDARD LOCATIONS.

**PROPRIETARY AND CONFIDENTIAL**  
 THE INFORMATION CONTAINED IN THIS  
 DRAWING IS THE SOLE PROPERTY OF  
 PEABODY ENGINEERING. ANY  
 REPRODUCTION IN PART OR AS A WHOLE  
 WITHOUT THE WRITTEN PERMISSION OF  
 PEABODY ENGINEERING IS  
 PROHIBITED.

UNLESS OTHERWISE SPECIFIED:

DIMENSIONS ARE IN INCHES  
 TOLERANCES: ±1/4"  
 ANGULAR: ±.5°  
 ONE PLACE DECIMAL ±.250"  
 TWO PLACE DECIMAL ±.125"  
 THREE PLACE DECIMAL ±.063"

TANK MATERIAL: **HDPE**

INNER TANK S/N: -

OUTER TANK S/N: -

CUSTOMER PO#: -

DO NOT SCALE DRAWING

	NAME	DATE
DRAWN	DRM	11/07/16
CHECKED		
ENG APPR.		
MFG APPR.		
Q.A.		
COMMENTS:		

PROJECT: -		
CUSTOMER: <b>PEABODY STANDARD</b>		
SITE/LOCATION: <b>FOB: TX</b>		
SALES ORDER#: -		
SIZE	DESC.	REV.
<b>B</b>	<b>3450 GA VERTICAL TANK</b> Ø 96 X 119"	-
SCALE: 1:48		SHEET 1 OF 1