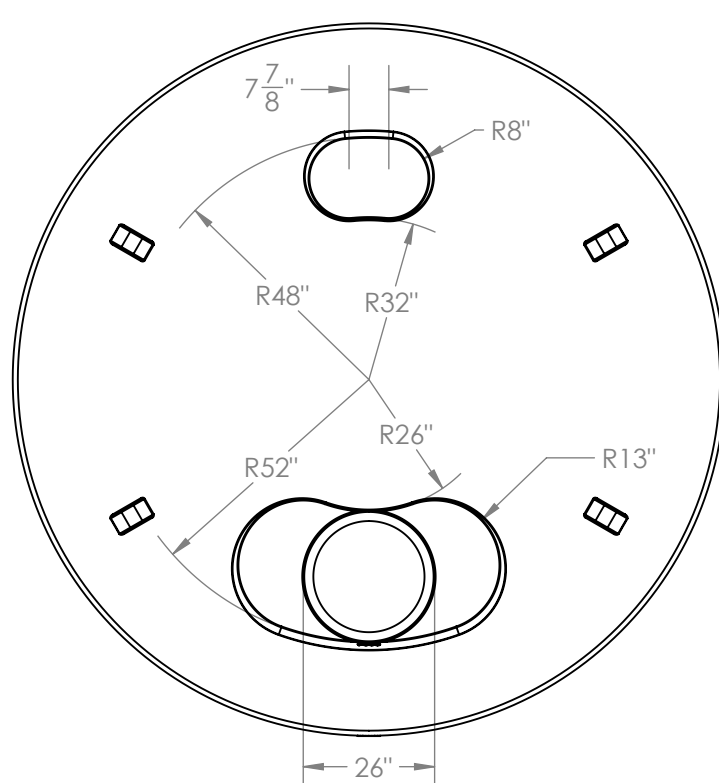


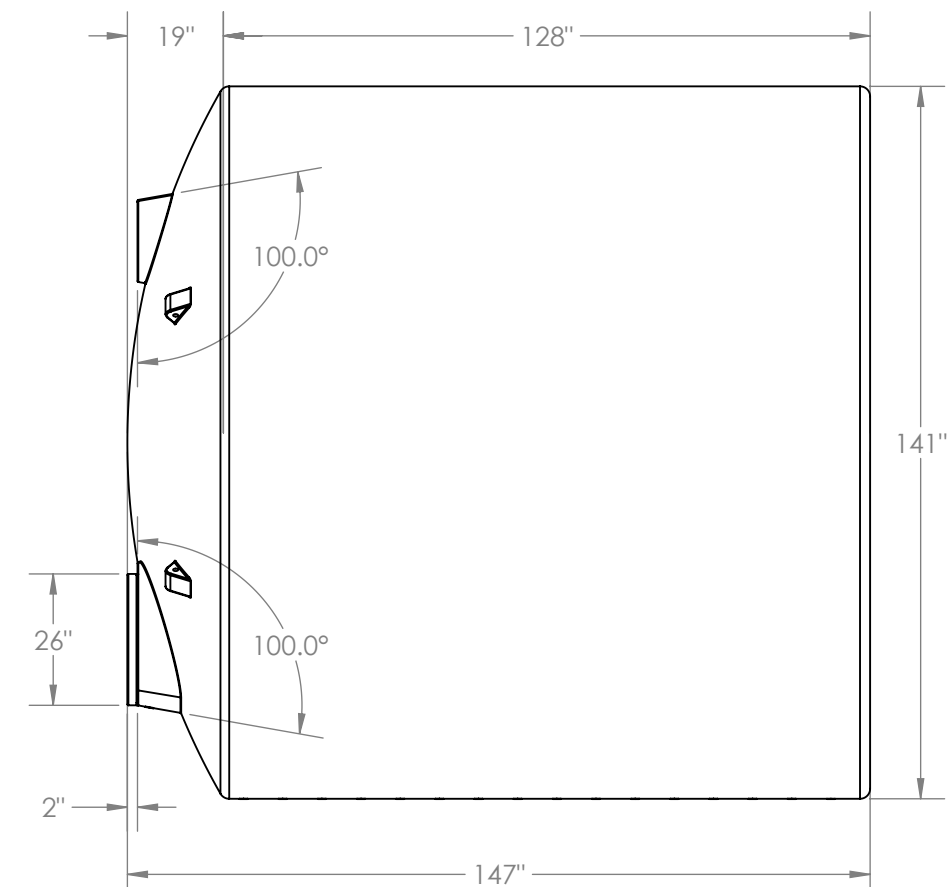
8 7 6 5 4 3 2 1

D  
C  
B  
A

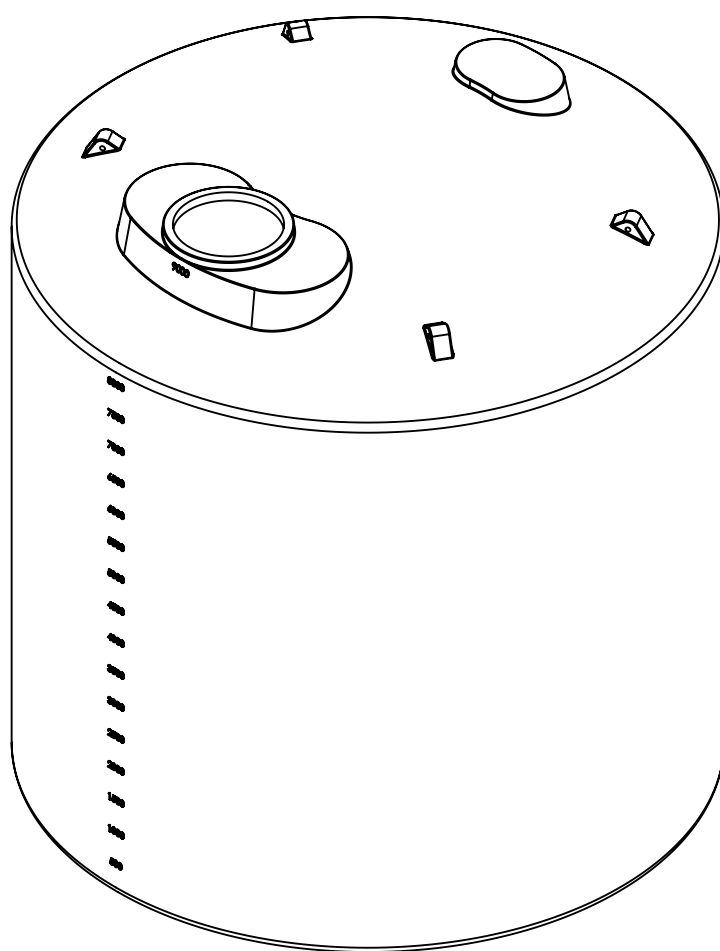
D  
C  
B  
A



**TOP VIEW**



**SIDE VIEW**



**ISO VIEW**

**STANDARD SPECS:**  
 22" FILL OPENING,  
 (1) 3" POLYPROPYLENE FITTING  
 WITH 2" REDUCER & SIPHON TUBE  
 IN STANDARD LOCATIONS

**PROPRIETARY AND CONFIDENTIAL**  
 THE INFORMATION CONTAINED IN THIS  
 DRAWING IS THE SOLE PROPERTY OF  
 PEABODY ENGINEERING. ANY  
 REPRODUCTION IN PART OR AS A WHOLE  
 WITHOUT THE WRITTEN PERMISSION OF  
 PEABODY ENGINEERING IS  
 PROHIBITED.

UNLESS OTHERWISE SPECIFIED:  
 DIMENSIONS ARE IN INCHES  
 TOLERANCES:  
 FRACTIONAL ± 1/8"  
 ONE PLACE DECIMAL ± .25"  
 TWO PLACE DECIMAL ± .125"  
 THREE PLACE DECIMAL ± .063"

TANK MATERIAL:  
**HDPE**

INNER TANK S/N:  
 -

OUTER TANK S/N:  
 -

CUSTOMER PO#  
 -

DO NOT SCALE DRAWING

|           | NAME | DATE    |
|-----------|------|---------|
| DRAWN     | NBH  | 6/22/16 |
| CHECKED   |      |         |
| ENG APPR. |      |         |
| MFG APPR. |      |         |
| Q.A.      |      |         |
| COMMENTS: |      |         |



PROJECT: -  
 CUSTOMER: **PEABODY STANDARD**  
 SITE/LOCATION: **FOB: MN**  
 DRAWING#:

| SIZE     | DESC.   | REV. |
|----------|---|------|
| <b>B</b> | <b>9000 GA VERTICAL TANK<br/>Ø141" x 146"</b> |      |

SCALE: 1:38 SHEET 1 OF 1

8 7 6 5 4 3 2 1