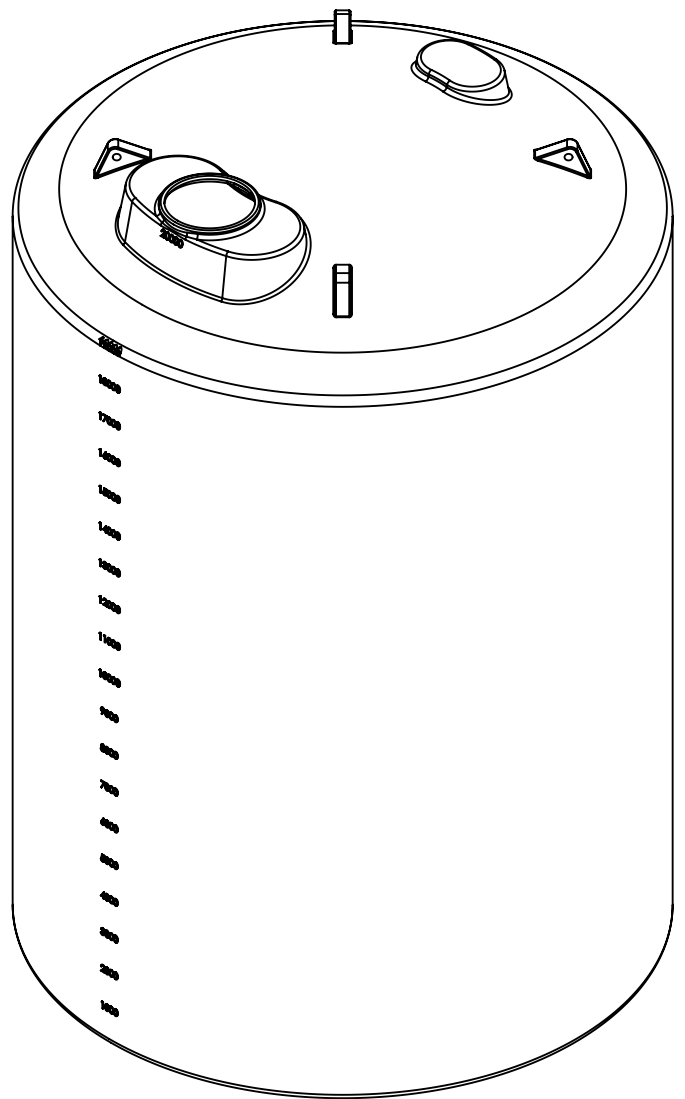
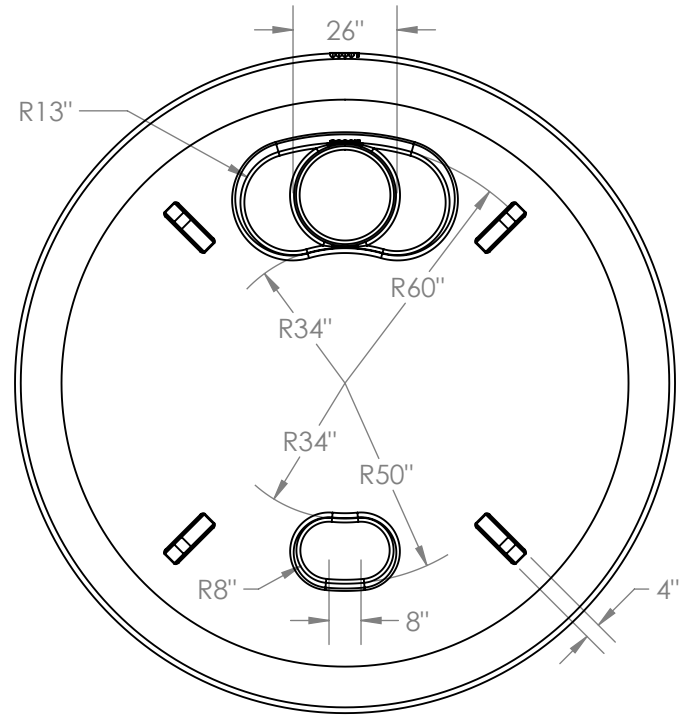


8 7 6 5 4 3 2 1

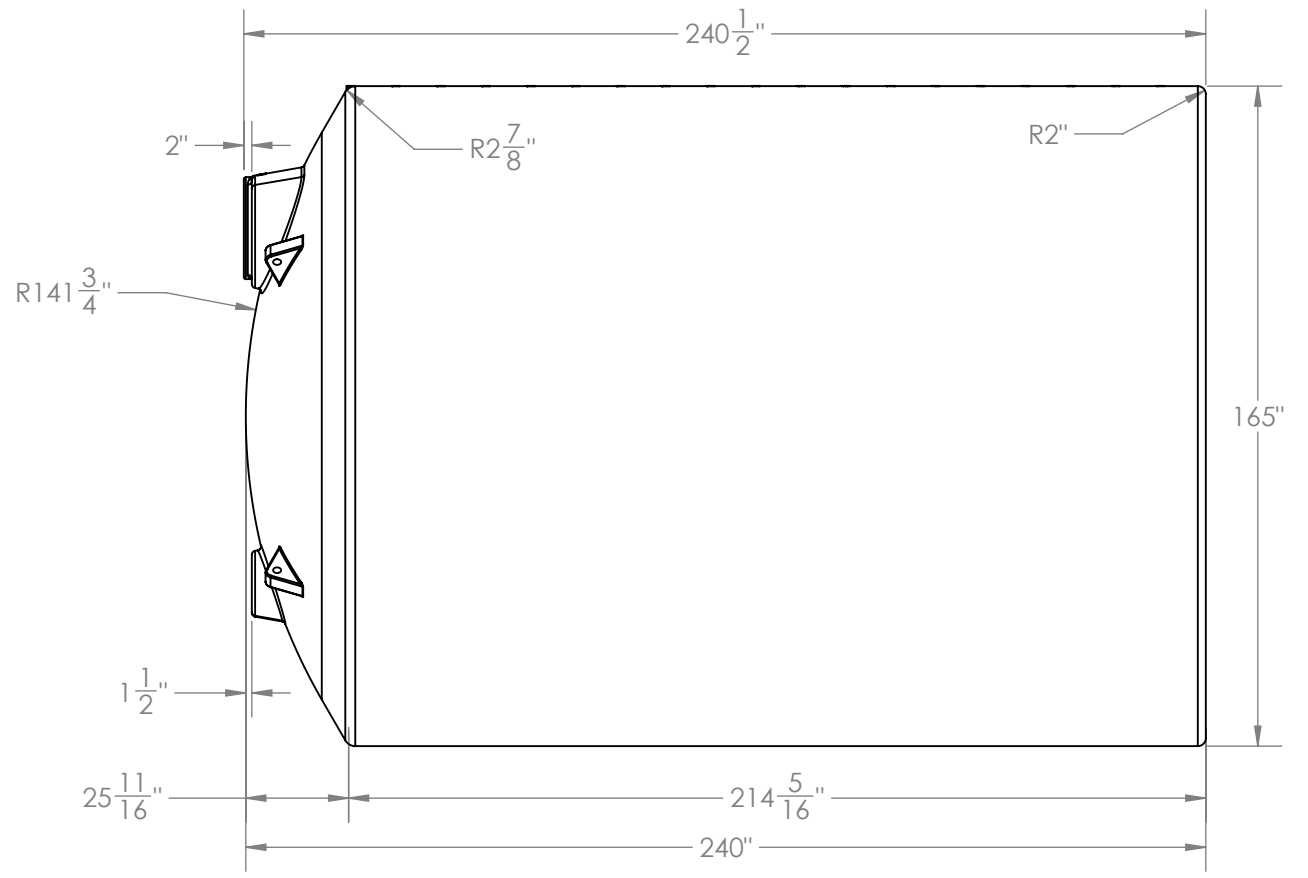
D  
C  
B  
A



**ISO VIEW**



**TOP VIEW**



**SIDE VIEW**

**STANDARD SPECS:**  
 22" FILL OPENING,  
 (1) 3" STAINLESS STEEL FITTING  
 WITH LONG BOLTS & SIPHON TUBE  
 IN STANDARD LOCATIONS

**PROPRIETARY AND CONFIDENTIAL**  
 THE INFORMATION CONTAINED IN THIS  
 DRAWING IS THE SOLE PROPERTY OF  
 PEABODY ENGINEERING. ANY  
 REPRODUCTION IN PART OR AS A WHOLE  
 WITHOUT THE WRITTEN PERMISSION OF  
 PEABODY ENGINEERING IS  
 PROHIBITED.

UNLESS OTHERWISE SPECIFIED:  
 DIMENSIONS ARE IN INCHES  
 TOLERANCES:  
 FRACTIONAL ± 1/8"  
 ONE PLACE DECIMAL ± .25"  
 TWO PLACE DECIMAL ± .125"  
 THREE PLACE DECIMAL ± .063"

TANK MATERIAL:  
**HDPE**

INNER TANK S/N:  
 -

OUTER TANK S/N:  
 -

CUSTOMER PO#  
 -

DO NOT SCALE DRAWING

	NAME	DATE
DRAWN	<b>NBH</b>	<b>6/28/16</b>
CHECKED		
ENG APPR.		
MFG APPR.		
Q.A.		
COMMENTS:		

PROJECT: -		
CUSTOMER: <b>PEABODY STANDARD</b>		
SITE/LOCATION: <b>FOB: MN, OH, AL</b>		
DRAWING#:		
SIZE	DESC.	REV.
<b>B</b>	<b>20,000 GA VERTICAL TANK Ø165" x 242"</b>	
SCALE: 1:48		SHEET 1 OF 1

8 7 6 5 4 3 2 1