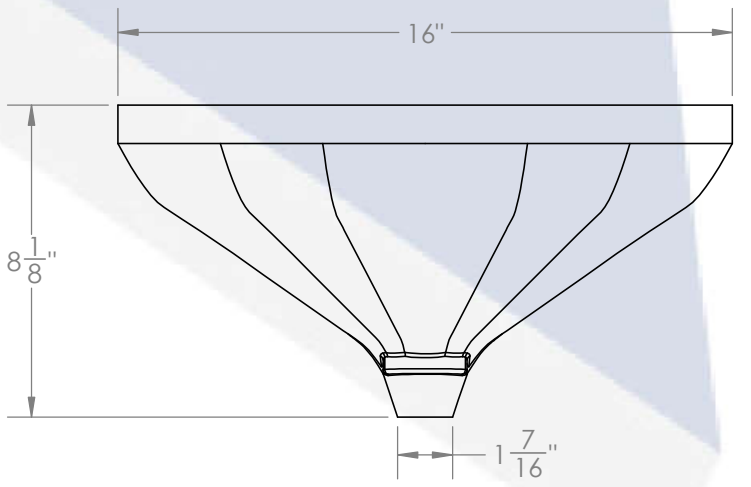
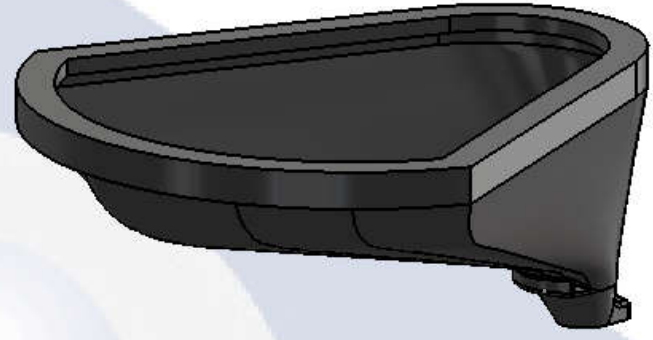


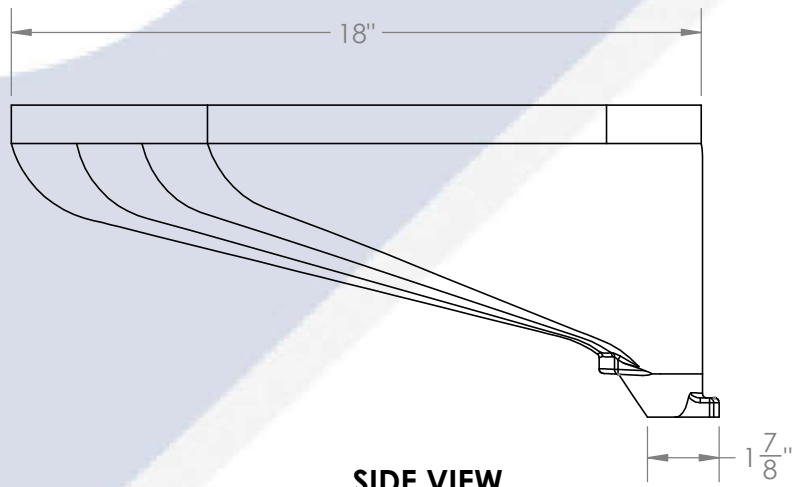
TOP VIEW



FRONT VIEW



DIMETRIC VIEW



SIDE VIEW

- NOTES:**
1. APPROXIMATE WEIGHT: 4 LBS
 2. MATERIAL: LLDPE W/ UV INHIBITOR
 3. SERVICE PRESSURE: ATMOSPHERIC

PROPRIETARY AND CONFIDENTIAL
 THE INFORMATION CONTAINED IN THIS DRAWING IS THE SOLE PROPERTY OF PEABODY ENGINEERING. ANY REPRODUCTION IN PART OR AS A WHOLE WITHOUT THE WRITTEN PERMISSION OF PEABODY ENGINEERING IS PROHIBITED.

UNLESS OTHERWISE SPECIFIED:
 DIMENSIONS ARE IN INCHES
 TOLERANCES: ±1/4"
 ANGULAR: ± .5°
 ONE PLACE DECIMAL: ± .25
 TWO PLACE DECIMAL: ± .125
 THREE PLACE DECIMAL: ± .063

TANK MATERIAL: **LLDPE**

INNER TANK S/N:

OUTER TANK S/N:

CUSTOMER PO#

DO NOT SCALE DRAWING

	NAME	DATE
DRAWN	RFR	06/12/17
CHECKED		
ENG APPR.		
MFG APPR.		
Q.A.		



PROJECT: **PROCHEM CLAMSHELL FUNNEL**

CUSTOMER: **PEABODY STANDARD**

SITE/LOCATION: **FOB: CORONA, CA**

SALES ORDER: -

SIZE	DESC.	REV.
B	MCU CLAMSHELL, 2" FUNNEL, BLACK	0

SCALE: 1:5 SHEET 1 OF 1