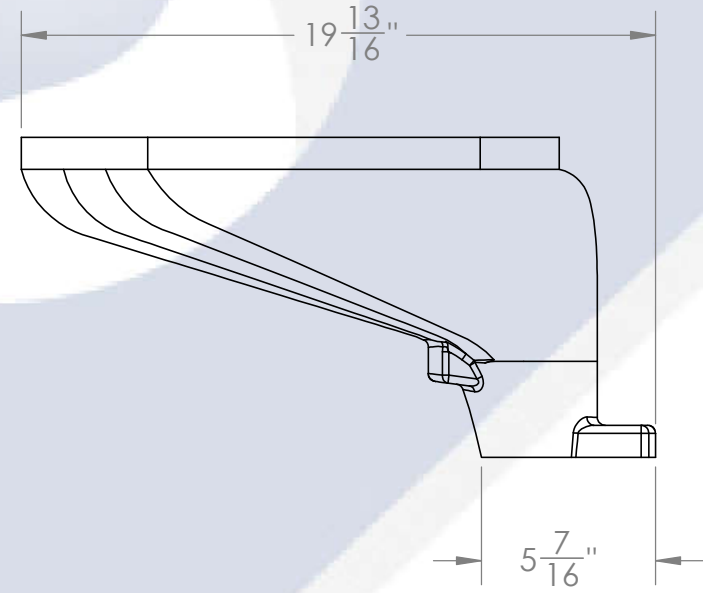
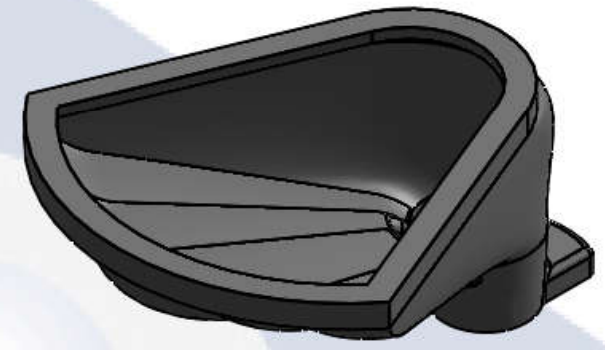
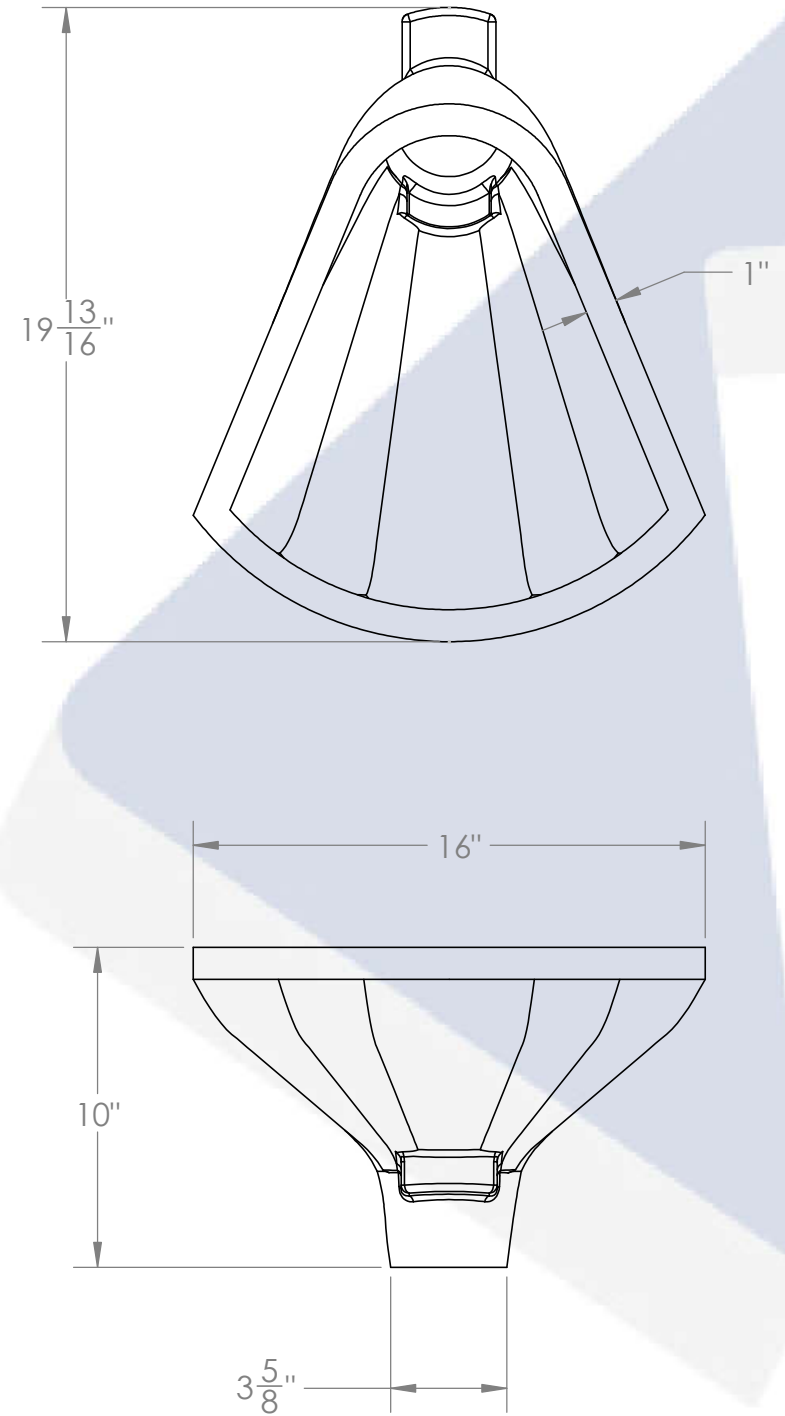



D  
C  
B  
A



D  
C  
B  
A

- NOTES:**
1. APPROXIMATE WEIGHT: 3 LBS
  2. MATERIAL: LLDPE W/ UV INHIBITOR
  3. SERVICE PRESSURE: ATMOSPHERIC

**PROPRIETARY AND CONFIDENTIAL**  
 THE INFORMATION CONTAINED IN THIS DRAWING IS THE SOLE PROPERTY OF PEABODY ENGINEERING. ANY REPRODUCTION IN PART OR AS A WHOLE WITHOUT THE WRITTEN PERMISSION OF PEABODY ENGINEERING IS PROHIBITED.

UNLESS OTHERWISE SPECIFIED:		NAME	DATE				
DIMENSIONS ARE IN INCHES TOLERANCES: ±1/4" ANGULAR: ±.5° ONE PLACE DECIMAL: ±.25 TWO PLACE DECIMAL: ±.125 THREE PLACE DECIMAL: ±.063		DRAWN	RFR 05/15/17			PROJECT:	PROCHEM CLAMSHELL FUNNEL
TANK MATERIAL: LLDPE		CHECKED		CUSTOMER:	PEABODY STANDARD		
INNER TANK S/N:		ENG APPR.		SITE/LOCATION:	FOB: CORONA, CA		
OUTER TANK S/N:		MFG APPR.		PART#:	02-31977		
CUSTOMER PO#		Q.A.		SIZE	DESC.	REV.	
DO NOT SCALE DRAWING					<b>B</b>	MCU CLAMSHELL 4" - 6" FUNNEL, BLACK	<b>A</b>
				SCALE: 1:6	SHEET 1 OF 1		