

D

D

C

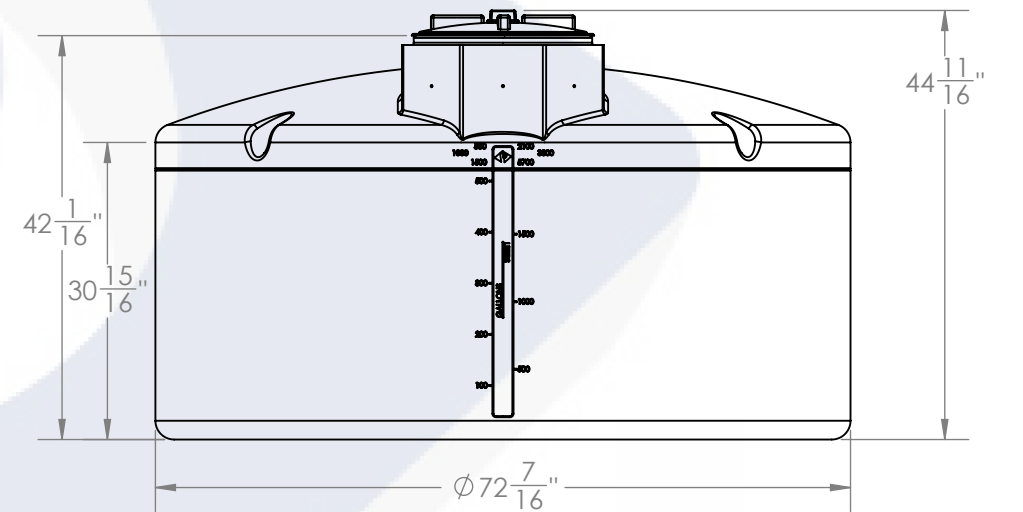
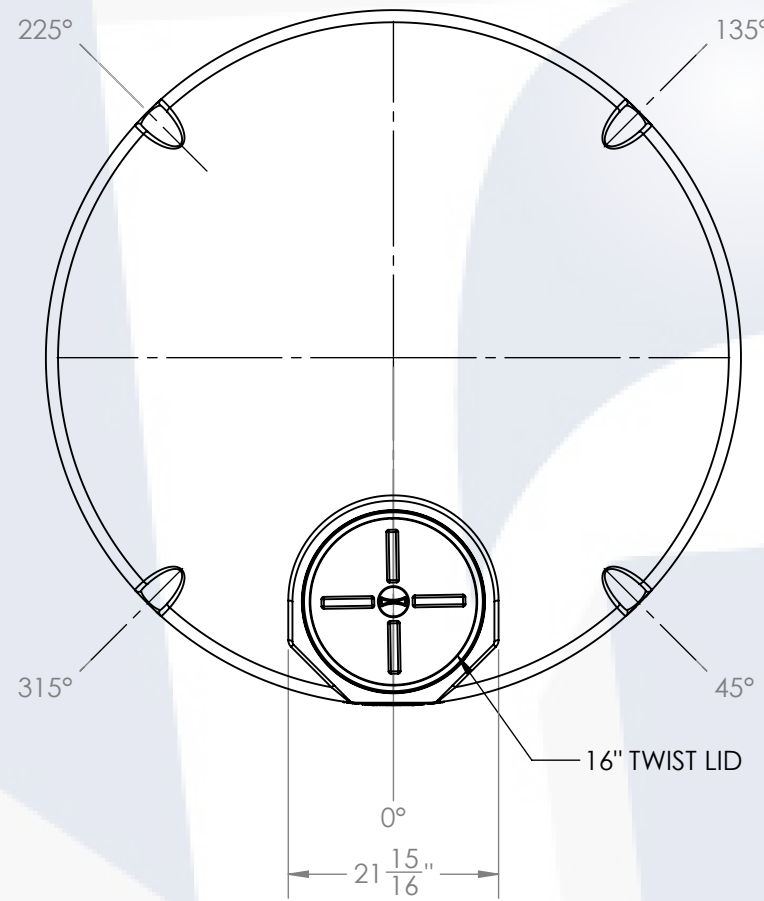
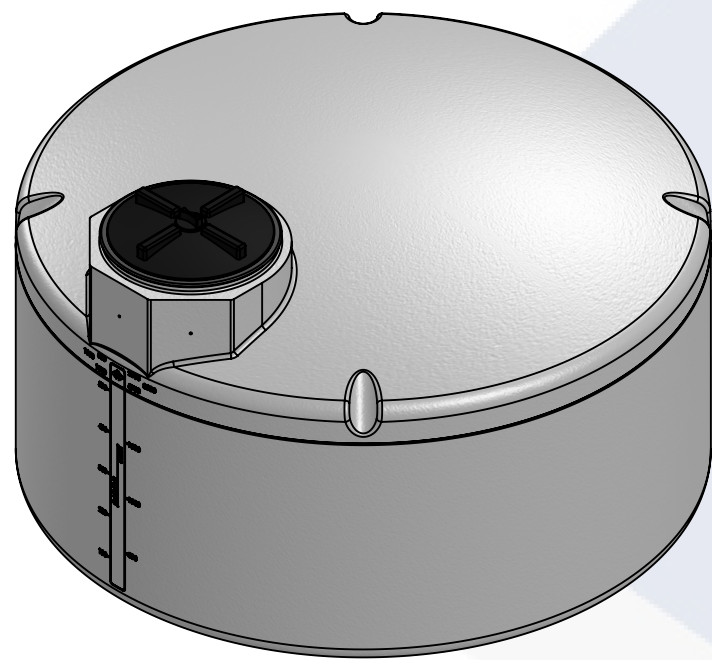
C

B

B

A

A



NOTES:

1. CAPACITY: 550 GAL. NOMINAL
2. TANK MATERIAL OPTIONS:
LLDPE HDLPE XLPE FDA WATER PPL PVDF
3. SERVICE PRESSURE: ATMOSPHERIC
4. NSF/ANSI STANDARD 61 CERTICIED
5. AVAILABLE W/ FRP WRAP
CONTACT CUSTOMER SERVICE FOR ADDITIONAL INFORMATION

PROPRIETARY AND CONFIDENTIAL
THE INFORMATION CONTAINED IN THIS DRAWING IS THE SOLE PROPERTY OF PEABODY ENGINEERING. ANY REPRODUCTION IN PART OR AS A WHOLE WITHOUT THE WRITTEN PERMISSION OF PEABODY ENGINEERING IS PROHIBITED.

UNLESS OTHERWISE SPECIFIED:		NAME	DATE			
DIMENSIONS ARE IN INCHES TOLERANCES: ±1/4" ANGULAR: ±.5° ONE PLACE DECIMAL: ±.25 TWO PLACE DECIMAL: ±.125 THREE PLACE DECIMAL: ±.063		DRAWN	NRG 4/1/19			
TANK MATERIAL:	INNER TANK S/N:	CHECKED		PROJECT: PROCHEM® TANKS		
OUTER TANK S/N:	CUSTOMER PO#	ENG APPR.		CUSTOMER: PEABODY STANDARD		
DO NOT SCALE DRAWING		MFG APPR.		SITE/LOCATION: -		
		Q.A.		SALES ORDER:		
		ALTERNATIVE VERSIONS		SIZE	DESC.	REV.
		MATERIALS: XLPE, PPL, PVDF COLORS: NATURAL, BLUE OR BLACK AVAILABLE WITH FRP WRAP		B	550 GAL PROCHEM® TANK, Ø73" X 45"	
		CALL FOR PART NUMBERS		SCALE: 1:20	SHEET 1 OF 1	