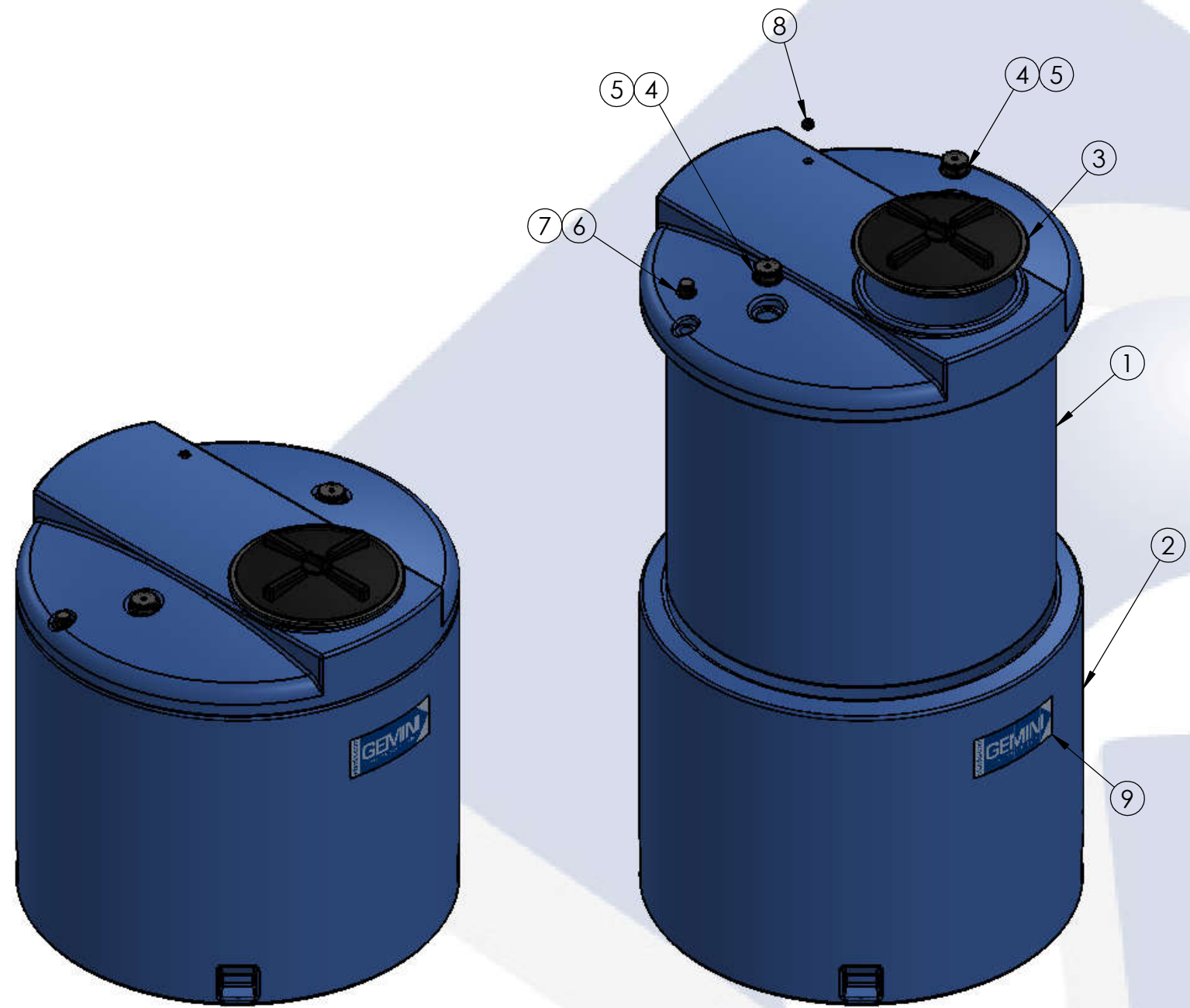


220 GALLON GEMINI	PART NUMBER	
	BLUE	NATURAL
STANDARD (1.5 SPG)	01-14872	01-1074
HD (1.9 SPG)	01-29778	01-29769



ALTERNATE CONFIGURATION TO MEET NSF/ANSI STANDARD 61 AVAILABLE

TOP LEVEL ASSEMBLY		
ITEM NO.	DESCRIPTION	QTY.
1	GEMINI 220G, PRIMARY TANK	1
2	GEMINI 220G, SECONDARY TANK	1
3	Ø18" OD / 16" ID TWIST LID ASSY	1
4	Ø2" FNPT SPIN WELD FITTING, PE, BLACK	2
5	Ø2" MPT PLUG, PE, BLACK	2
6	Ø1" FNPT SPIN WELD FITTING, PE, BLACK	1
7	Ø1" MPT PLUG, PE, BLACK	1
8	Ø1-1/4" CAPLUG / GROMMET SUB-ASSY	1
9	MOLD IN GRAPHIC	1

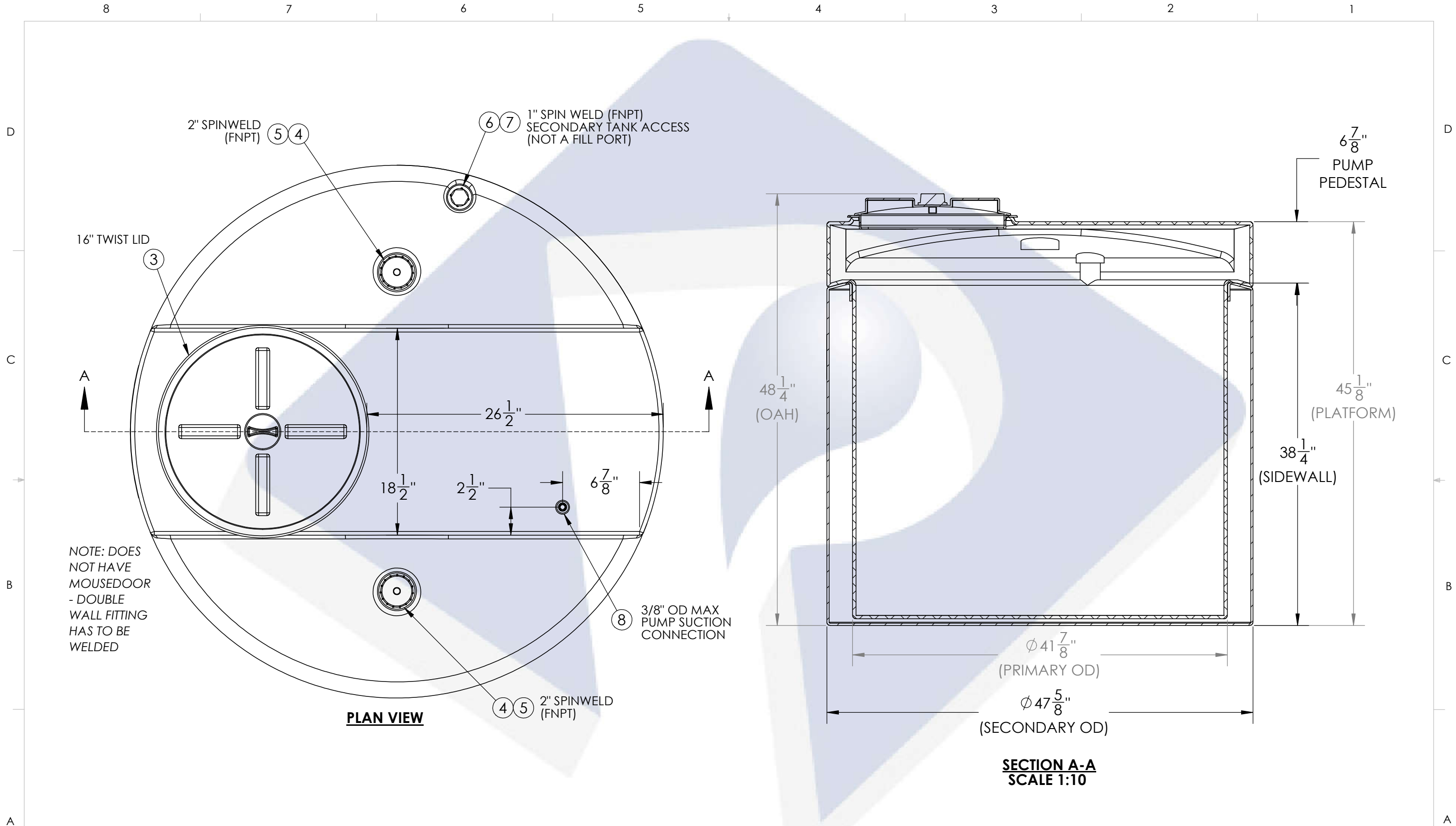
ISOMETRIC VIEW (ASSEMBLED)

ISOMETRIC VIEW (EXPLODED)

- NOTES:**
- CAPACITY: 220 GAL. NOMINAL
 - APPROXIMATE WEIGHT: 192 LBS
 - TANK MATERIAL: LLDPE W/ UV INHIBITOR
 - GASKETS: EPDM
 - SERVICE PRESSURE: ATMOSPHERIC

PROPRIETARY AND CONFIDENTIAL
 THE INFORMATION CONTAINED IN THIS DRAWING IS THE SOLE PROPERTY OF PEABODY ENGINEERING. ANY REPRODUCTION IN PART OR AS A WHOLE WITHOUT THE WRITTEN PERMISSION OF PEABODY ENGINEERING IS PROHIBITED.

UNLESS OTHERWISE SPECIFIED:		NAME	DATE	
DIMENSIONS ARE IN INCHES TOLERANCES: ±1/4" ANGULAR: ±.5° ONE PLACE DECIMAL: ±.25 TWO PLACE DECIMAL: ±.125 THREE PLACE DECIMAL: ±.063		DRAWN	MHS 2/28/17	
TANK MATERIAL:	LLDPE	CHECKED		PROJECT: GEMINI DUAL CONTAINMENT TANKS
INNER TANK S/N:		ENG APPR.		CUSTOMER: PEABODY STANDARD
OUTER TANK S/N:		MFG APPR.		SITE/LOCATION: -
CUSTOMER PO#		Q.A.		DRAWING#: SEE TABLE
DO NOT SCALE DRAWING		ALTERNATIVE VERSIONS MATERIALS: XLPE, PPL, PVDF COLORS: NATURAL, BLUE OR BLACK AVAILABLE WITH FRP WRAP CALL FOR PART NUMBERS		SIZE: B DESC: 220 GALLON GEMINI TANK, Ø48" x 48" REV: F+
SCALE: 1:16			SHEET 1 OF 2	



PROJECT: 220G Gemini, CUSTOMER Print

SCALE: 1:8

SHEET 2 OF 2