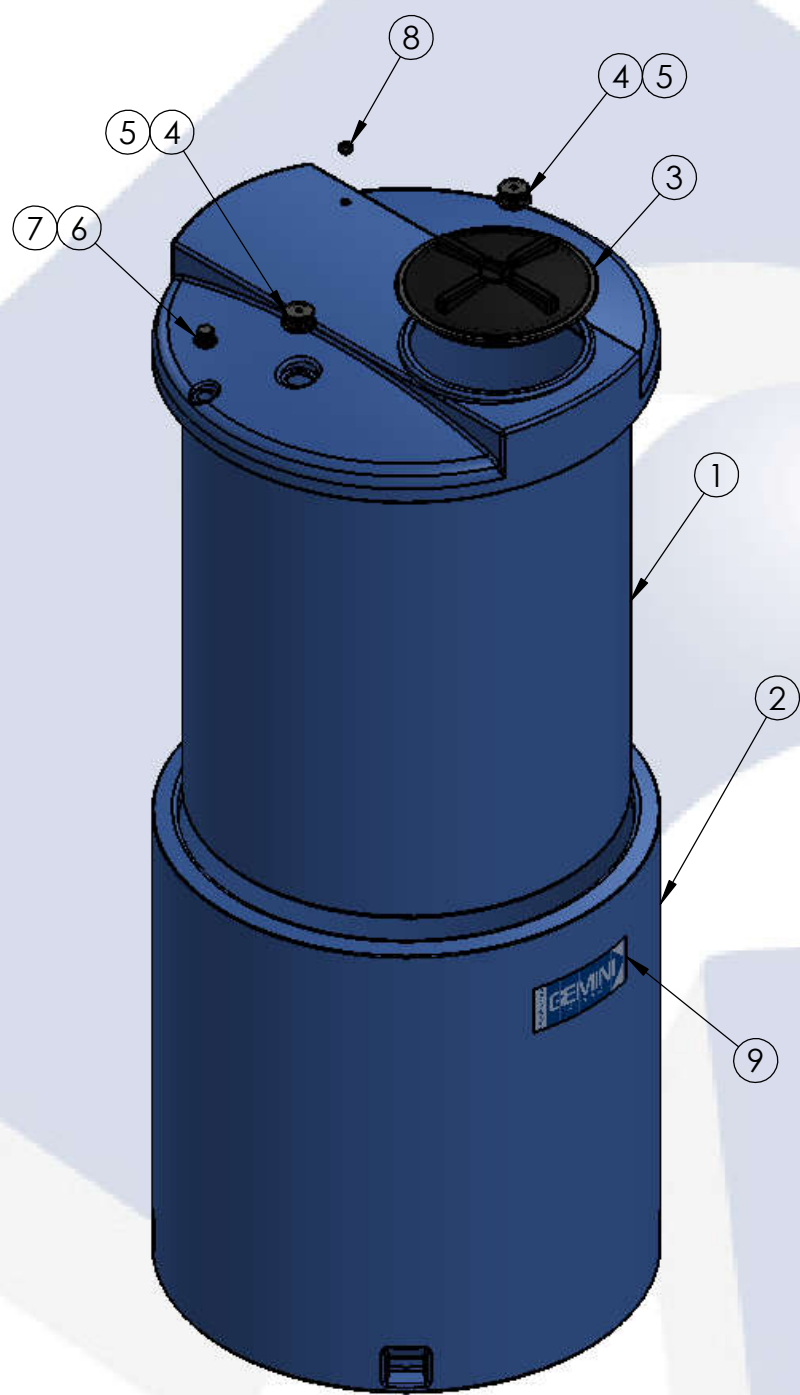


320 GALLON GEMINI	PART NUMBER	
	BLUE	NATURAL
STANDARD (1.5 SPG)	01-14873	01-1075
HD (1.9 SPG)	01-29779	01-29770



**ISOMETRIC VIEW  
(ASSEMBLED)**



**ISOMETRIC VIEW  
(EXPLODED)**

ALTERNATE CONFIGURATION TO MEET  
NSF/ANSI STANDARD 61 AVAILABLE

TOP LEVEL ASSEMBLY		
ITEM NO.	DESCRIPTION	QTY.
1	GEMINI 320G, PRIMARY TANK	1
2	GEMINI 320G, SECONDARY TANK	1
3	Ø18" OD / 16" ID TWIST LID ASSY	1
4	Ø2" FNPT SPIN WELD FITTING, PE, BLACK	2
5	Ø2" MPT PLUG, PE, BLACK	2
6	Ø1" FNPT SPIN WELD FITTING, PE, BLACK	1
7	Ø1" MPT PLUG, PE, BLACK	1
8	Ø1-1/4" CAPLUG / GROMMET SUB-ASSY	1
9	MOLD IN GRAPHIC	1

- NOTES:**
- CAPACITY: 320 GAL. NOMINAL
  - APPROXIMATE WEIGHT: 223 LBS
  - TANK MATERIAL: LLDPE W/ UV INHIBITOR
  - GASKETS: EPDM
  - SERVICE PRESSURE: ATMOSPHERIC

**PROPRIETARY AND CONFIDENTIAL**  
THE INFORMATION CONTAINED IN THIS DRAWING IS THE SOLE PROPERTY OF PEABODY ENGINEERING. ANY REPRODUCTION IN PART OR AS A WHOLE WITHOUT THE WRITTEN PERMISSION OF PEABODY ENGINEERING IS PROHIBITED.

UNLESS OTHERWISE SPECIFIED:		NAME	DATE	
DIMENSIONS ARE IN INCHES TOLERANCES: ±1/4" ANGULAR: ± .5° ONE PLACE DECIMAL: ± .25 TWO PLACE DECIMAL: ± .125 THREE PLACE DECIMAL: ± .063		DRAWN	MHS 2/28/17	
TANK MATERIAL: LLDPE		CHECKED		
INNER TANK S/N:		ENG APPR.		
OUTER TANK S/N:		MFG APPR.		PROJECT: GEMINI DUAL CONTAINMENT TANK
CUSTOMER PO#		Q.A.		CUSTOMER: PEABODY STANDARD
DO NOT SCALE DRAWING		ALTERNATIVE VERSIONS		SITE/LOCATION: -
		MATERIALS: XLPE, PPL, PVDF COLORS: NATURAL, BLUE OR BLACK AVAILABLE WITH FRP WRAP		DRAWING#: SEE TABLE
		CALL FOR PART NUMBERS		SIZE B
				DESC. 320 GALLON GEMINI TANK Ø48" x 60-1/2"
				REV. F+
				SCALE: 1:18
				SHEET 1 OF 2

8 7 6 5 4 3 2 1

D

D

C

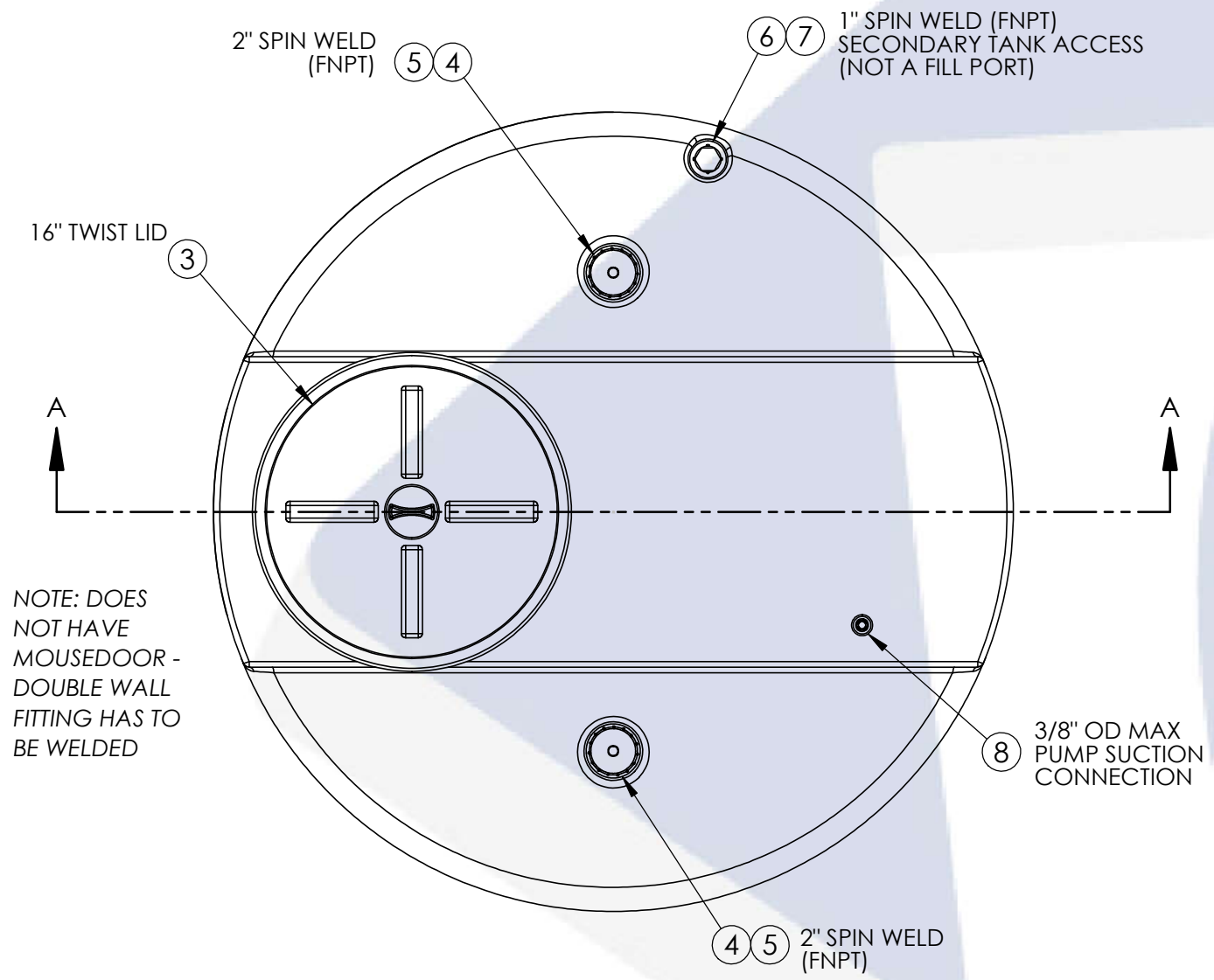
C

B

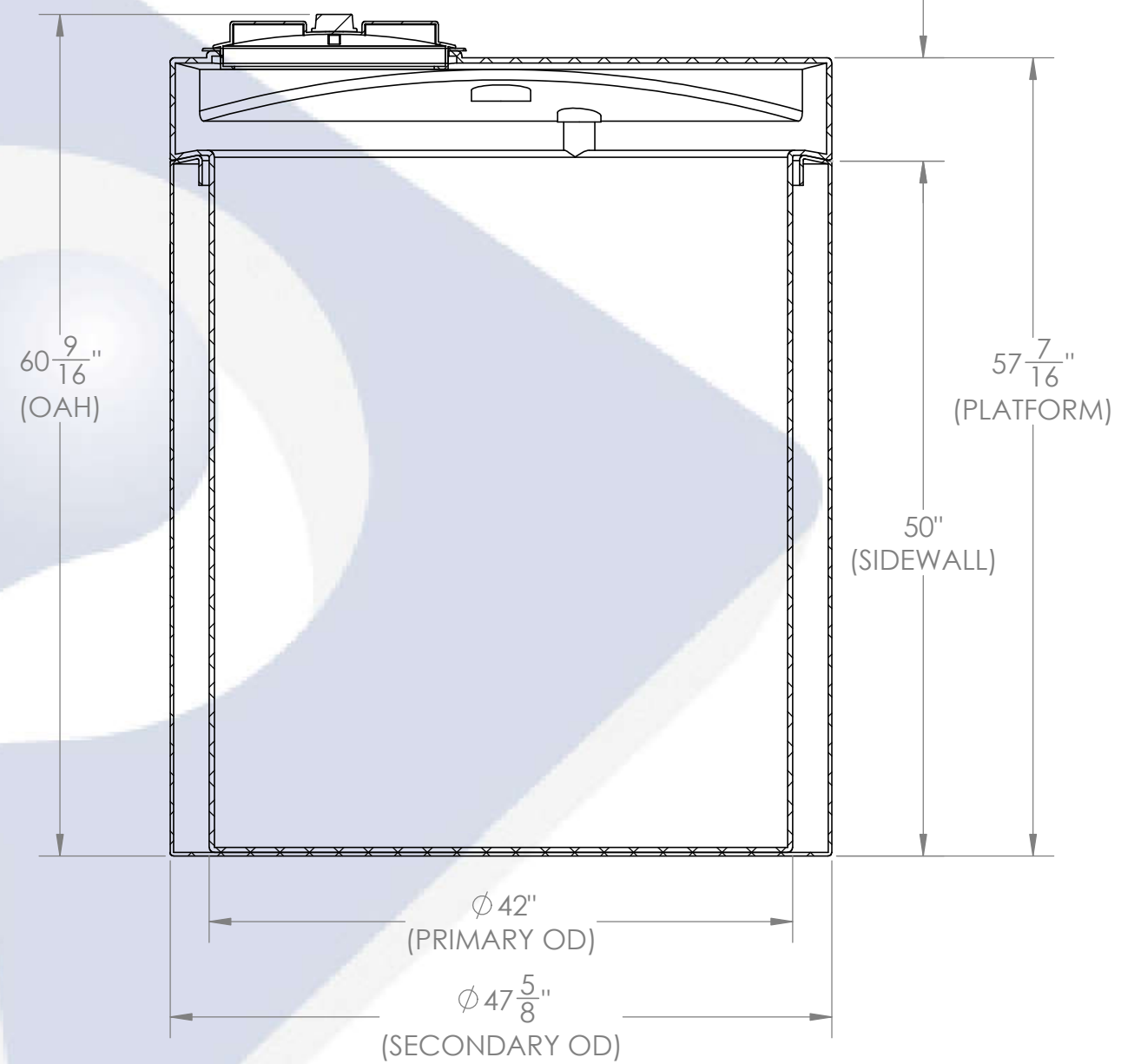
B

A

A



**PLAN VIEW**



**SECTION A-A**  
**SCALE 1:12**



PROJECT: 320G Gemini, CUSTOMER Print

SCALE: 1:10

SHEET 2 OF 2

8 7 6 5 4 3 2 1