

8 7 6 5 4 3 2 1

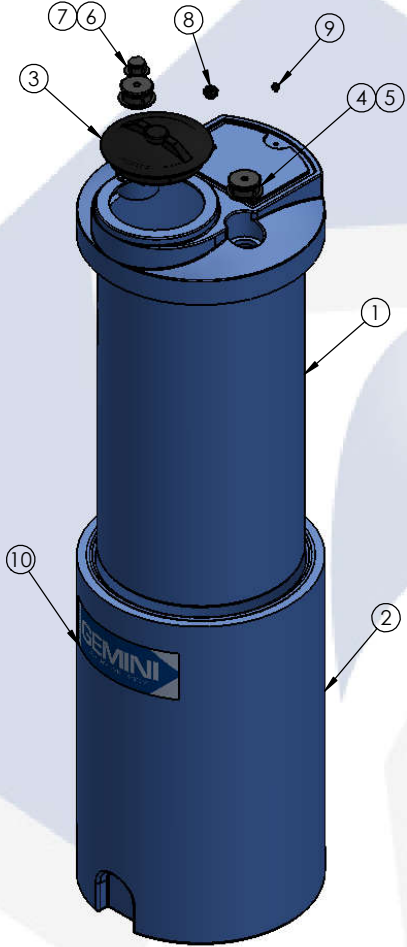
40 GALLON GEMINI	PART NUMBER	
	BLUE	NATURAL
STANDARD (1.5 SPG)	01-29436	01-29437
HD (1.9 SPG)	01-29775	01-29766

ALTERNATE CONFIGURATION TO MEET NSF/ANSI STANDARD 61 AVAILABLE

TOP LEVEL ASSEMBLY		
ITEM NO.	DESCRIPTION	QTY.
1	40G GEMINI PRIMARY TANK	1
2	40G GEMINI SECONDARY TANK	1
3	Ø10" OD / 8" ID TWIST LID ASSY	1
4	Ø2" FNPT SPIN WELD FITTING, PE	2
5	Ø2" THREADED PLUG, PE	2
6	Ø1" FNPT SPIN WELD FITTING, PE	1
7	Ø1" THREADED PLUG, PE	1
8	Ø1-1/4" CAPLUG / GROMMET SUB-ASSY	1
9	RED CAPLUG / O-RING SUB-ASSY	1
10	MOLD IN GRAPHIC	1



**ISOMETRIC VIEW (ASSEMBLED)**



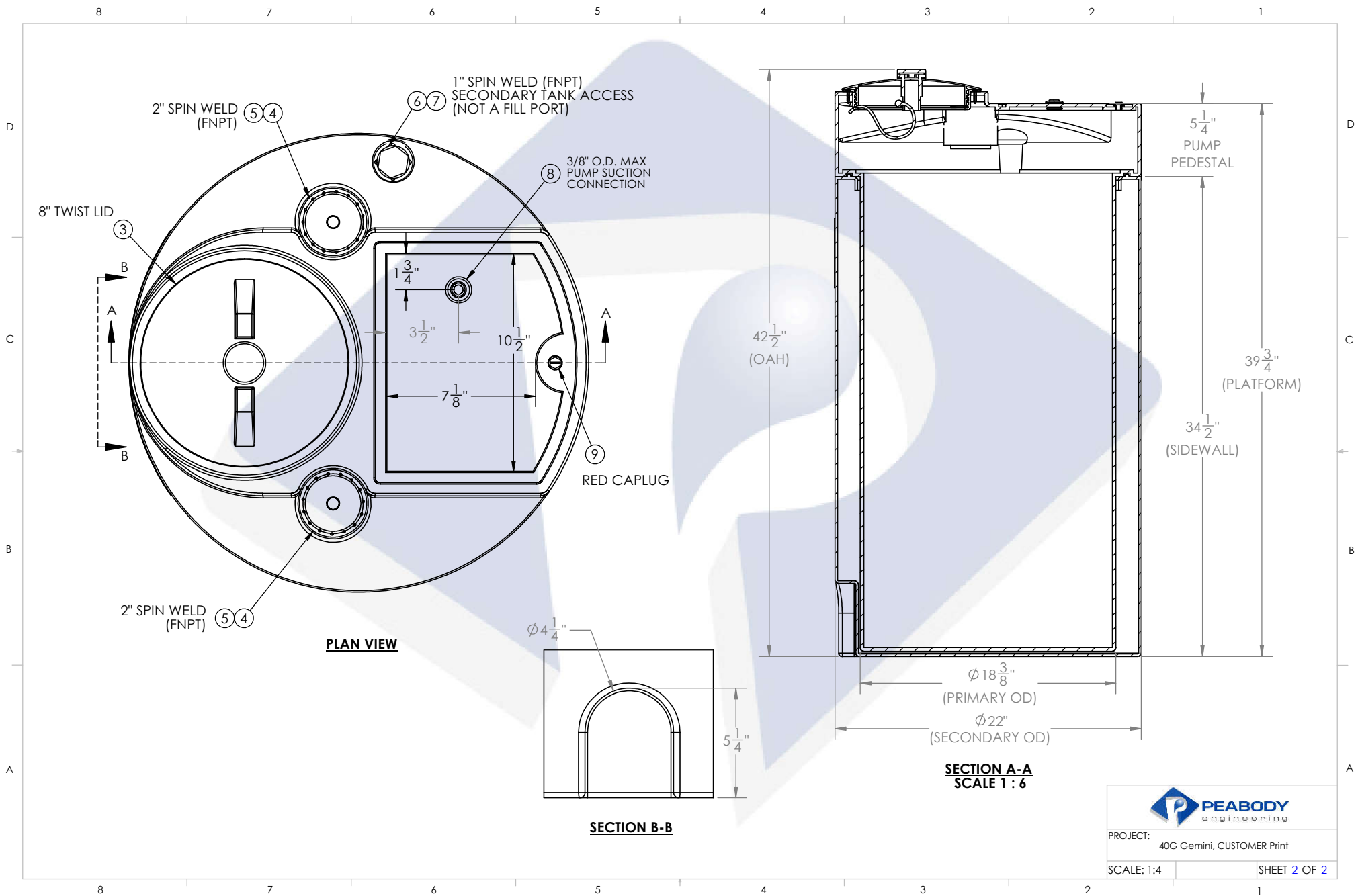
**ISOMETRIC VIEW (EXPLODED)**

- NOTES:**
1. CAPACITY: 40 GAL. NOMINAL
  2. APPROXIMATE WEIGHT: 43 LBS
  3. TANK MATERIAL: LLDPE W/ UV INHIBITOR
  4. GASKETS: EPDM
  5. SERVICE PRESSURE: ATMOSPHERIC

**PROPRIETARY AND CONFIDENTIAL**  
 THE INFORMATION CONTAINED IN THIS DRAWING IS THE SOLE PROPERTY OF PEABODY ENGINEERING. ANY REPRODUCTION IN PART OR AS A WHOLE WITHOUT THE WRITTEN PERMISSION OF PEABODY ENGINEERING IS PROHIBITED.

UNLESS OTHERWISE SPECIFIED:		NAME	DATE	
DIMENSIONS ARE IN INCHES TOLERANCES: ±1/4" ANGULAR: ±.5° ONE PLACE DECIMAL: ±.25 TWO PLACE DECIMAL: ±.125 THREE PLACE DECIMAL: ±.063		DRAWN	MHS 2/27/17	
TANK MATERIAL: LLDPE		CHECKED		PROJECT: GEMINI DUAL CONTAINMENT TANKS
INNER TANK S/N:		ENG APPR.		CUSTOMER: PEABODY STANDARD
OUTER TANK S/N:		MFG APPR.		SITE/LOCATION: -
CUSTOMER PO#		Q.A.		DRAWING#: SEE TABLE
DO NOT SCALE DRAWING		<b>ALTERNATIVE VERSIONS</b> MATERIALS: XLPE, PPL, PVDF COLORS: NATURAL, BLUE OR BLACK AVAILABLE WITH FRP WRAP		SIZE B DESC. 40 GALLON GEMINI TANK, Ø22" x 42-1/2" REV. E
CALL FOR PART NUMBERS		SCALE: 1:11		SHEET 1 OF 2

8 7 6 5 4 3 2 1



PROJECT: 40G Gemini, CUSTOMER Print

SCALE: 1:4

SHEET 2 OF 2