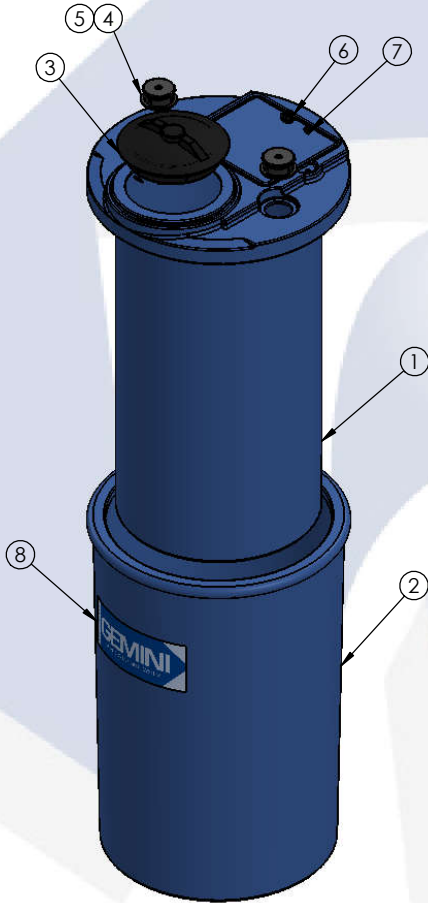


8 7 6 5 4 3 2 1

40 GALLON GEMINI	PART NUMBER	
	BLUE	NATURAL
STANDARD (1.5 SPG)	01-14874	01-1076
HD (1.9 SPG)	01-29774	01-29765



**ISOMETRIC VIEW
(ASSEMBLED)**




**ISOMETRIC VIEW
(EXPLODED)**

ALTERNATE CONFIGURATION TO MEET
NSF/ANSI STANDARD 61 AVAILABLE

TOP LEVEL ASSEMBLY		
ITEM NO.	DESCRIPTION	QTY.
1	40G GEMINI PRIMARY TANK (FLAT TOP)	1
2	40G GEMINI SECONDARY TANK (FLAT TOP)	1
3	Ø10" OD / 8" ID TWIST LID ASSY	1
4	Ø2" FNPT SPIN WELD FITTING, PE, BLACK	2
5	Ø2" MPT PLUG, PE, BLACK	2
6	Ø1-1/4" CAPLUG / GROMMET SUB-ASSY	1
7	RED CAPLUG / O-RING SUB-ASSY	1
8	MOLD IN GRAPHIC	1

- NOTES:**
1. CAPACITY: 40 GAL. NOMINAL
 2. APPROXIMATE WEIGHT: 45 LBS
 3. TANK MATERIAL: LLDPE W/ UV INHIBITOR
 4. GASKETS: EPDM
 5. SERVICE PRESSURE: ATMOSPHERIC

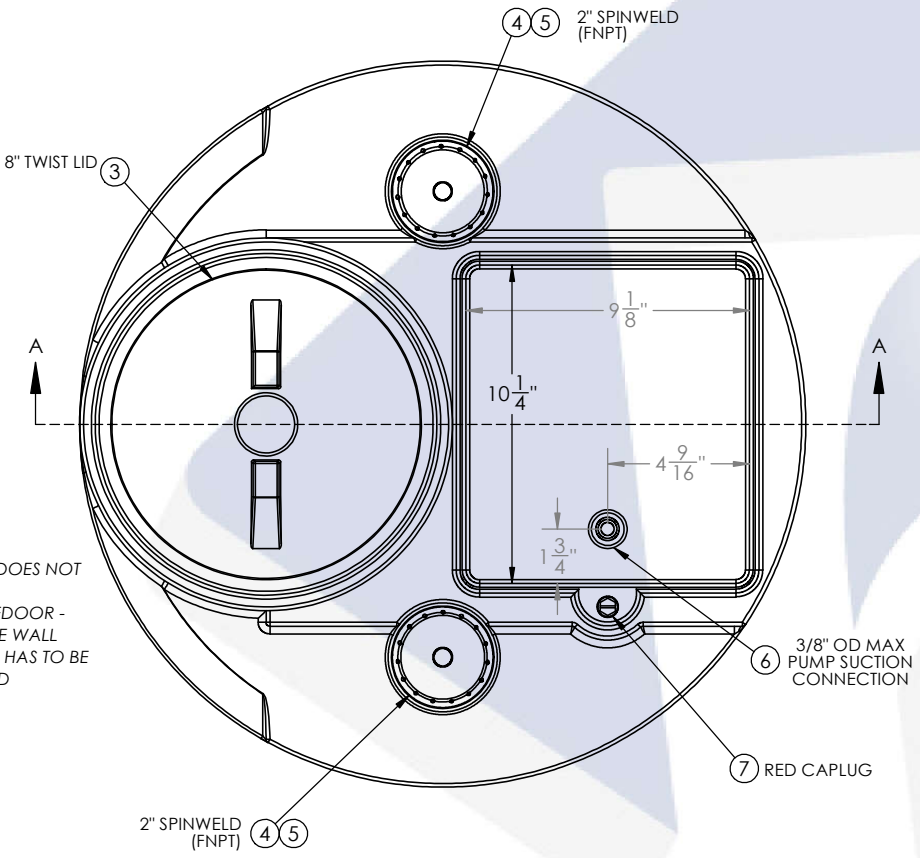
PROPRIETARY AND CONFIDENTIAL
THE INFORMATION CONTAINED IN THIS DRAWING IS THE SOLE PROPERTY OF PEABODY ENGINEERING. ANY REPRODUCTION IN PART OR AS A WHOLE WITHOUT THE WRITTEN PERMISSION OF PEABODY ENGINEERING IS PROHIBITED.

UNLESS OTHERWISE SPECIFIED:		NAME	DATE	
DIMENSIONS ARE IN INCHES TOLERANCES: ±1/4" ANGULAR: ±.5° ONE PLACE DECIMAL: ±.25 TWO PLACE DECIMAL: ±.125 THREE PLACE DECIMAL: ±.063		DRAWN	MHS 2/27/17	
TANK MATERIAL: LLDPE		CHECKED		CUSTOMER: PEABODY STANDARD
INNER TANK S/N:		ENG APPR.		SITE/LOCATION: -
OUTER TANK S/N:		MFG APPR.		DRAWING#: SEE TABLE
CUSTOMER PO#		Q.A.		SIZE B
DO NOT SCALE DRAWING		ALTERNATIVE VERSIONS MATERIALS: XLPE, PPL, PVDF COLORS: NATURAL, BLUE OR BLACK AVAILABLE WITH FRP WRAP		DESC. 40 GALLON GEMINI TANK (FLAT TOP), Ø23-1/2" x 39"
		CALL FOR PART NUMBERS		REV. F
		SCALE: 1:11		SHEET 1 OF 2

8 7 6 5 4 3 2 1

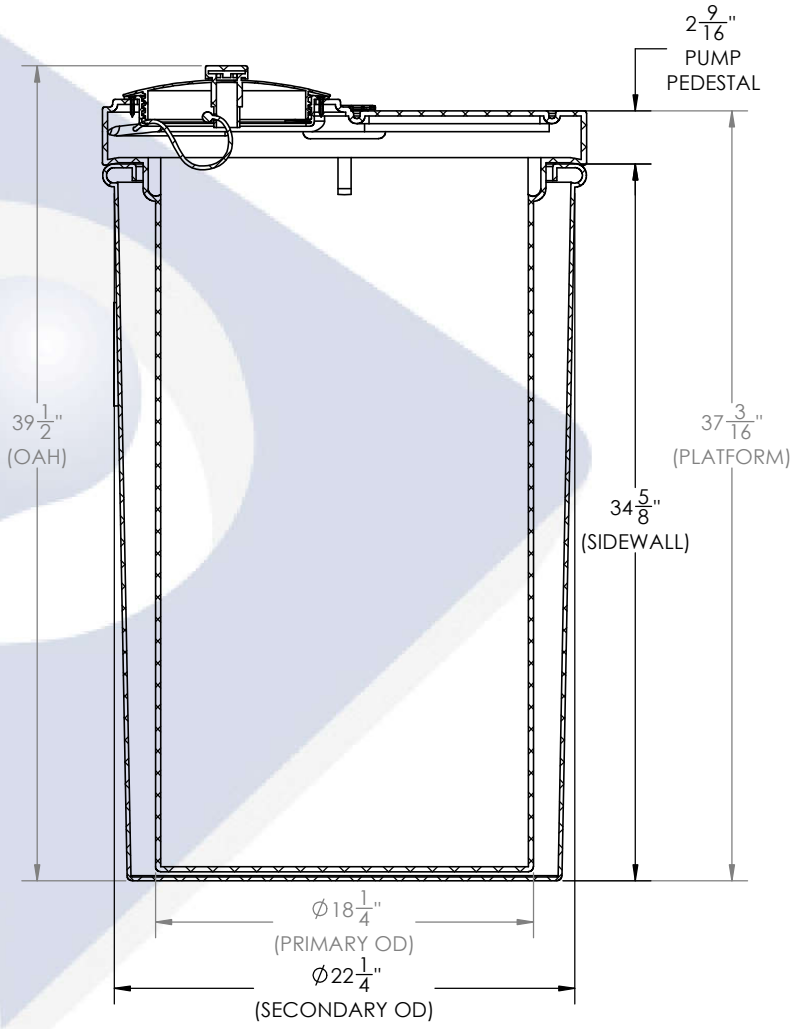
8 7 6 5 4 3 2 1

D
C
B
A



NOTE: DOES NOT HAVE MOUSEDOOR - DOUBLE WALL FITTING HAS TO BE WELDED

PLAN VIEW



SECTION A-A
SCALE 1 : 6



PROJECT: 40G Gemini (Flat Top), CUSTOMER Print

SCALE: 1:4

SHEET 2 OF 2

8 7 6 5 4 3 2 1