

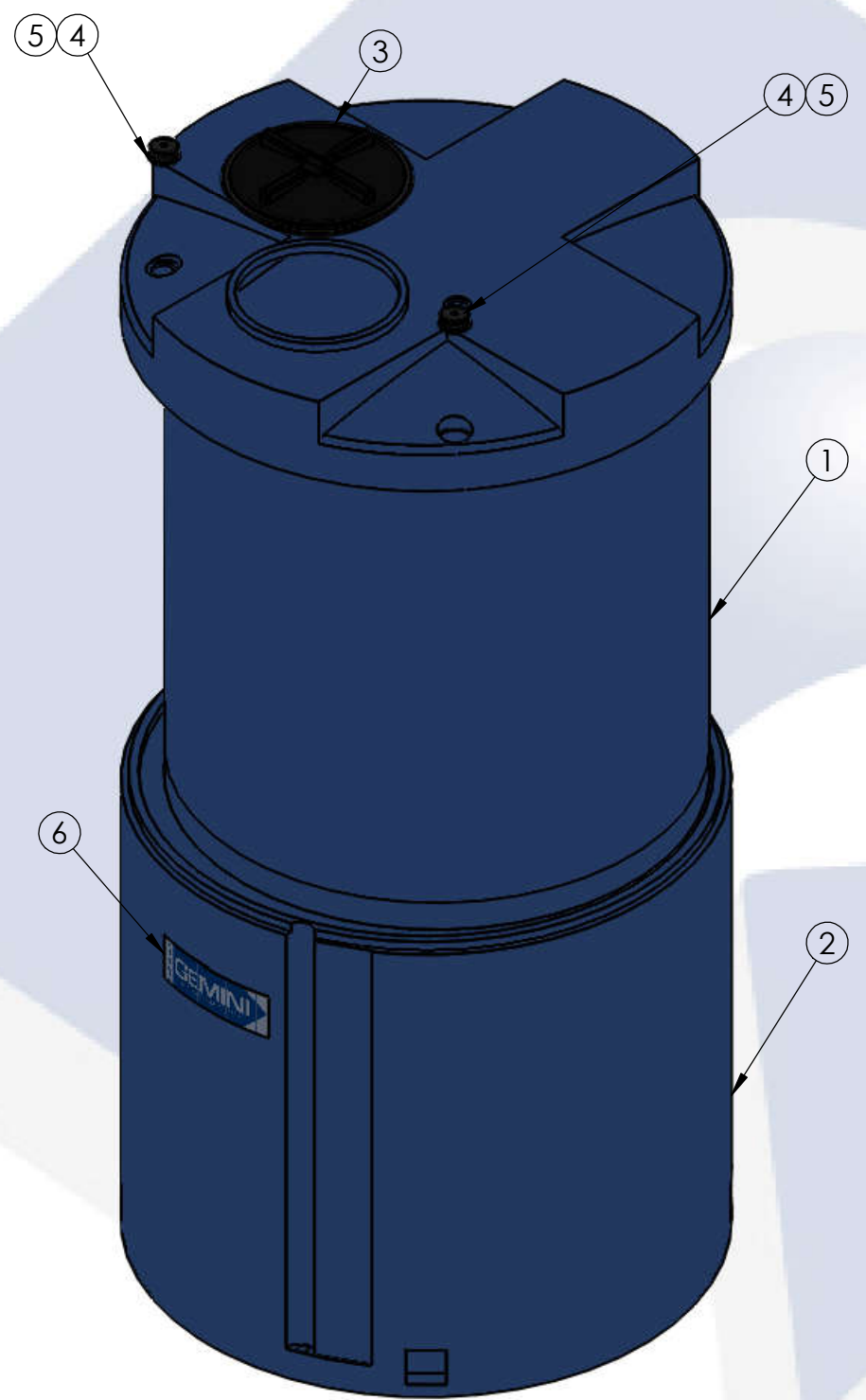
500 GALLON GEMINI	PART NUMBER	
	BLUE	NATURAL
STANDARD (1.5 SPG)	01-14876	01-14875
HD (1.9 SPG)	01-29780	01-29771

ALTERNATE CONFIGURATION TO MEET  
NSF/ANSI STANDARD 61 AVAILABLE

TOP LEVEL ASSEMBLY		
ITEM NO.	DESCRIPTION	QTY.
1	GEMINI 500G, PRIMARY TANK	1
2	GEMINI 500G, SECONDARY TANK	1
3	Ø18" OD / 16" ID TWIST LID ASSY	1
4	Ø2" FNPT SPIN WELD FITTING, PE	2
5	Ø2" THREADED PLUG, PE	2
6	MOLD IN GRAPHIC	1



**ISOMETRIC VIEW  
(ASSEMBLED)**



**ISOMETRIC VIEW  
(EXPLODED)**

- NOTES:**
- CAPACITY: 500 GAL. NOMINAL
  - APPROXIMATE WEIGHT: 337 LBS
  - TANK MATERIAL: LLDPE W/ UV INHIBITOR
  - GASKETS: EPDM
  - SERVICE PRESSURE: ATMOSPHERIC

**PROPRIETARY AND CONFIDENTIAL**  
THE INFORMATION CONTAINED IN THIS DRAWING IS THE SOLE PROPERTY OF PEABODY ENGINEERING. ANY REPRODUCTION IN PART OR AS A WHOLE WITHOUT THE WRITTEN PERMISSION OF PEABODY ENGINEERING IS PROHIBITED.

UNLESS OTHERWISE SPECIFIED:  
DIMENSIONS ARE IN INCHES  
TOLERANCES: ±1/4"  
ANGULAR: ±.5°  
ONE PLACE DECIMAL: ±.25  
TWO PLACE DECIMAL: ±.125  
THREE PLACE DECIMAL: ±.063

TANK MATERIAL: LLDPE  
INNER TANK S/N:  
OUTER TANK S/N:  
CUSTOMER PO#

DO NOT SCALE DRAWING

NAME	DATE
MHS	2/28/17
CHECKED	
ENG APPR.	
MFG APPR.	
Q.A.	

**ALTERNATIVE VERSIONS**  
MATERIALS: XLPE, PPL, PVDF  
COLORS: NATURAL, BLUE OR BLACK  
AVAILABLE WITH FRP WRAP

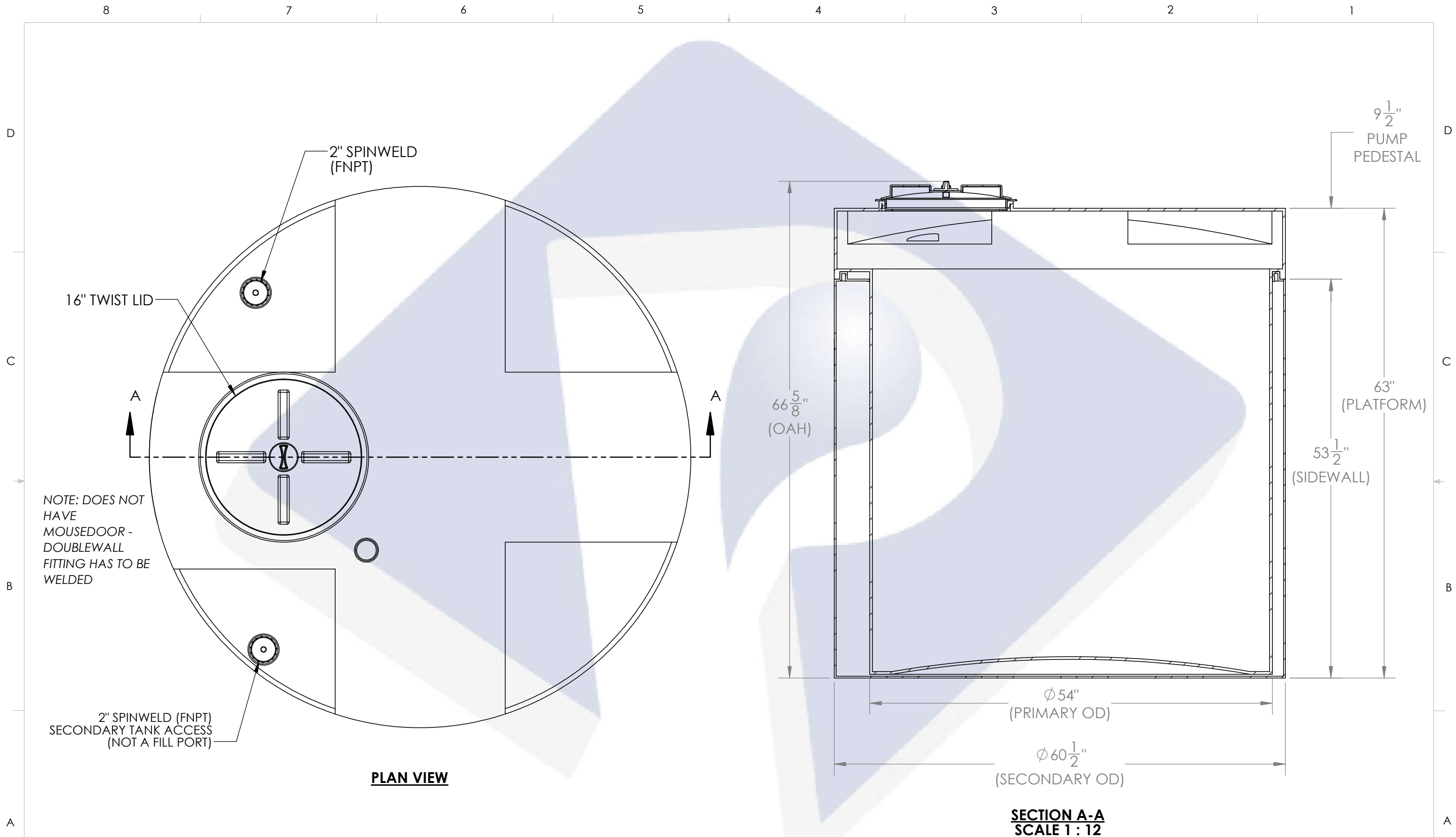
CALL FOR PART NUMBERS

**PEABODY**  
ENGINEERING

PROJECT: GEMINI DUAL CONTAINMENT TANK  
CUSTOMER: PEABODY STANDARD  
SITE/LOCATION: -  
DRAWING#: SEE TABLE

SIZE	DESC.	REV.
B	500 GALLON GEMINI TANK, Ø61" x 66-1/2"	A+

SCALE: 1:18 SHEET 1 OF 2



PROJECT: 500G Gemini, CUSTOMER Print

SCALE: 1:10

SHEET 2 OF 2