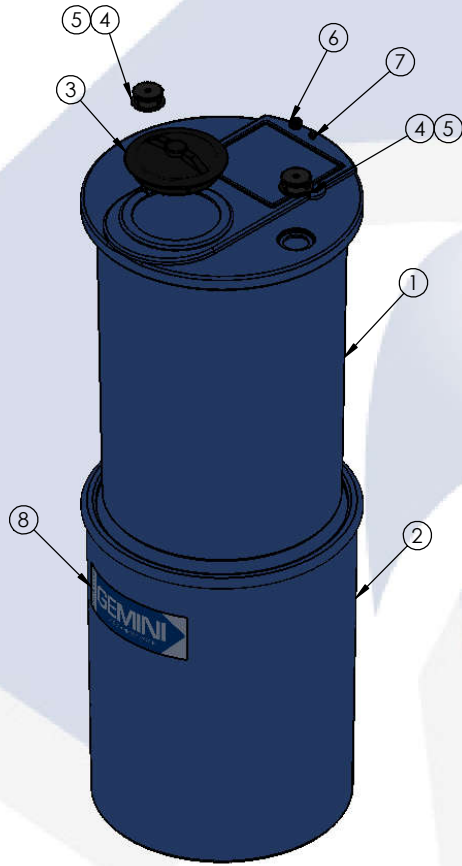


8 7 6 5 4 3 2 1

62 GALLON GEMINI	PART NUMBER	
	BLUE	NATURAL
STANDARD (1.5 SPG)	01-14877	01-1077
HD (1.9 SPG)	01-29776	01-29767



**ISOMETRIC VIEW  
(ASSEMBLED)**



**ISOMETRIC VIEW  
(EXPLODED)**

ALTERNATE CONFIGURATION TO MEET NSF/ANSI STANDARD 61 AVAILABLE

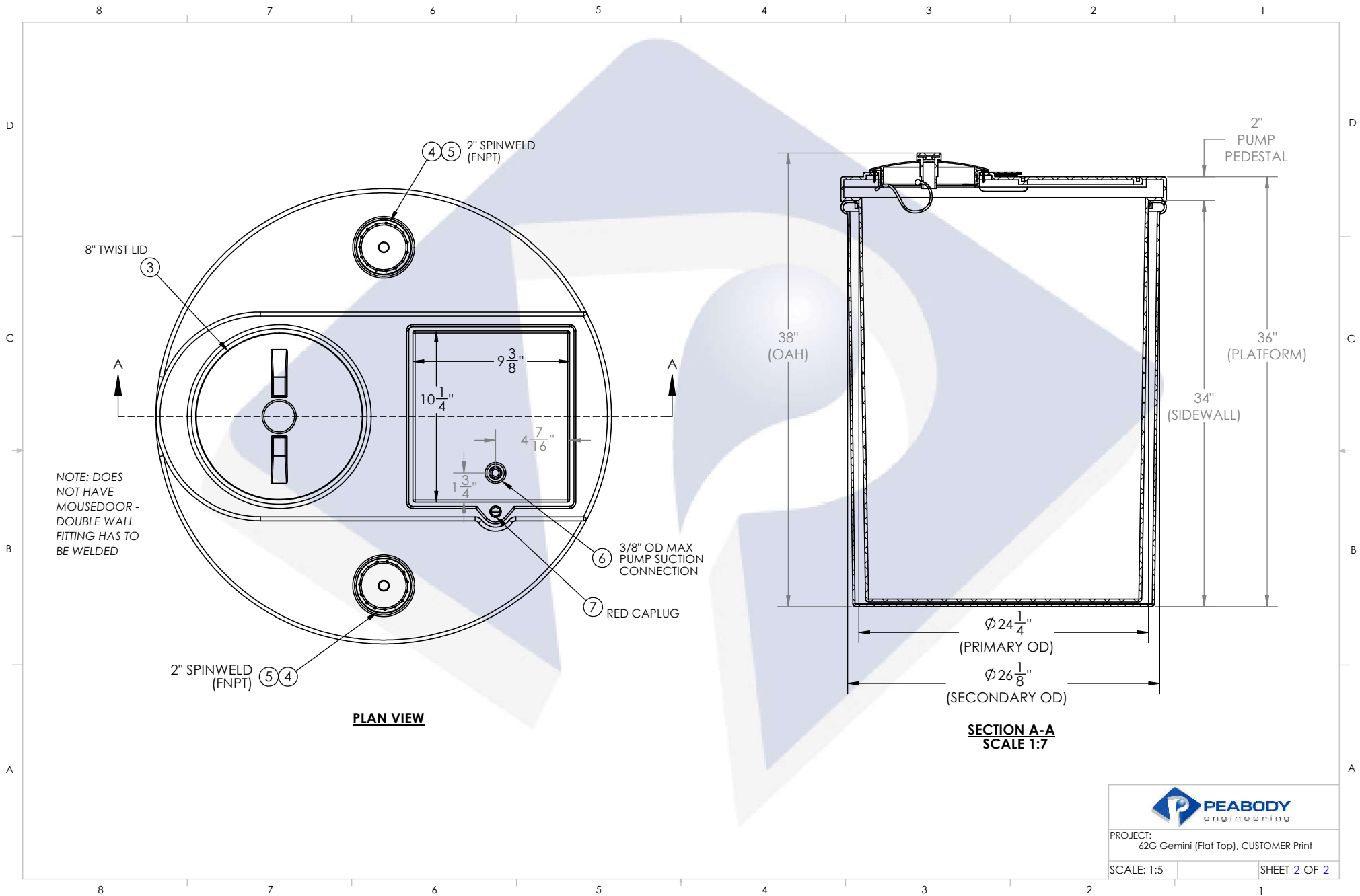
TOP LEVEL ASSEMBLY		
ITEM NO.	DESCRIPTION	QTY.
1	62G GEMINI PRIMARY TANK (FLAT TOP)	1
2	62G GEMINI SECONDARY TANK (FLAT TOP)	1
3	Ø10" OD / 8" ID TWIST LID ASSY	1
4	Ø2" FNPT SPIN WELD FITTING, PE, BLACK	2
5	Ø2" MPT PLUG, PE, BLACK	2
6	Ø1-1/4" CAPLUG / GROMMET SUB-ASSY	1
7	RED CAPLUG / O-RING SUB-ASSY	1
8	MOLD-IN LOGO	1

- NOTES:**
- CAPACITY: 62 GAL. NOMINAL
  - APPROXIMATE WEIGHT: 55 LBS
  - TANK MATERIAL: LLDPE W/ UV INHIBITOR
  - GASKETS: EPDM
  - SERVICE PRESSURE: ATMOSPHERIC

**PROPRIETARY AND CONFIDENTIAL**  
 THE INFORMATION CONTAINED IN THIS DRAWING IS THE SOLE PROPERTY OF PEABODY ENGINEERING. ANY REPRODUCTION IN PART OR AS A WHOLE WITHOUT THE WRITTEN PERMISSION OF PEABODY ENGINEERING IS PROHIBITED.

UNLESS OTHERWISE SPECIFIED:		NAME	DATE	
DIMENSIONS ARE IN INCHES TOLERANCES: ±1/4" ANGULAR: ±.5° ONE PLACE DECIMAL: ±.25 TWO PLACE DECIMAL: ±.125 THREE PLACE DECIMAL: ±.063		DRAWN	MHS 2/28/17	
TANK MATERIAL:	LLDPE	CHECKED		PROJECT: GEMINI DUAL CONATINMENT TANKS
INNER TANK S/N:		ENG APPR.		CUSTOMER: PEABODY STANDARD
OUTER TANK S/N:		MFG APPR.		SITE/LOCATION: -
CUSTOMER PO#		Q.A.		DRAWING#: SEE TABLE
DO NOT SCALE DRAWING	CALL FOR PART NUMBERS	<b>MATERIALS: XLPE, PPL, PVDF</b> <b>COLORS: NATURAL, BLUE OR BLACK</b> <b>AVAILABLE WITH FRP WRAP</b>		SIZE: <b>B</b> DESC: 62 GALLON GEMINI TANK (FLAT TOP), Ø25-1/2" x 38" REV: <b>F</b>
		SCALE: 1:12		SHEET 1 OF 2

8 7 6 5 4 3 2 1



PROJECT: 62G Gemini (Flat Top), CUSTOMER Print

SCALE: 1:5

SHEET 2 OF 2