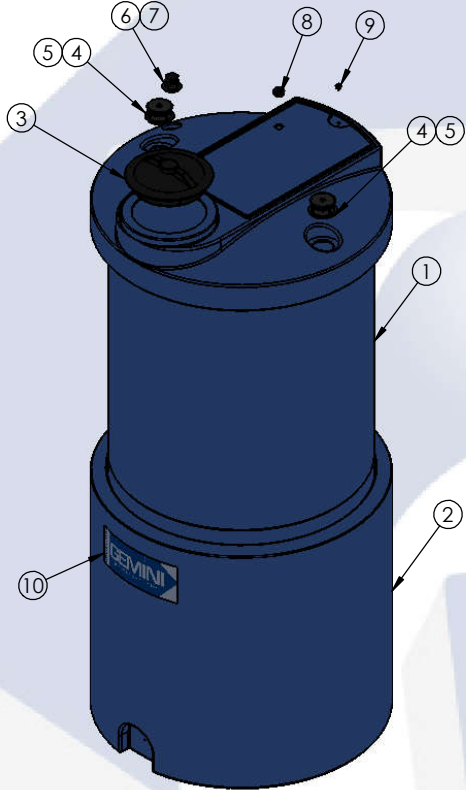


8 7 6 5 4 3 2 1

| | | |
|--------------------|-------------|----------|
| 90 GALLON GEMINI | PART NUMBER | |
| | BLUE | NATURAL |
| STANDARD (1.5 SPG) | 01-30294 | 01-30295 |
| HD (1.9 SPG) | 01-30296 | 01-30297 |



**ISOMETRIC VIEW
(ASSEMBLED)**



**ISOMETRIC VIEW
(EXPLODED)**

ALTERNATE CONFIGURATION TO MEET
NSF/ANSI STANDARD 61 AVAILABLE

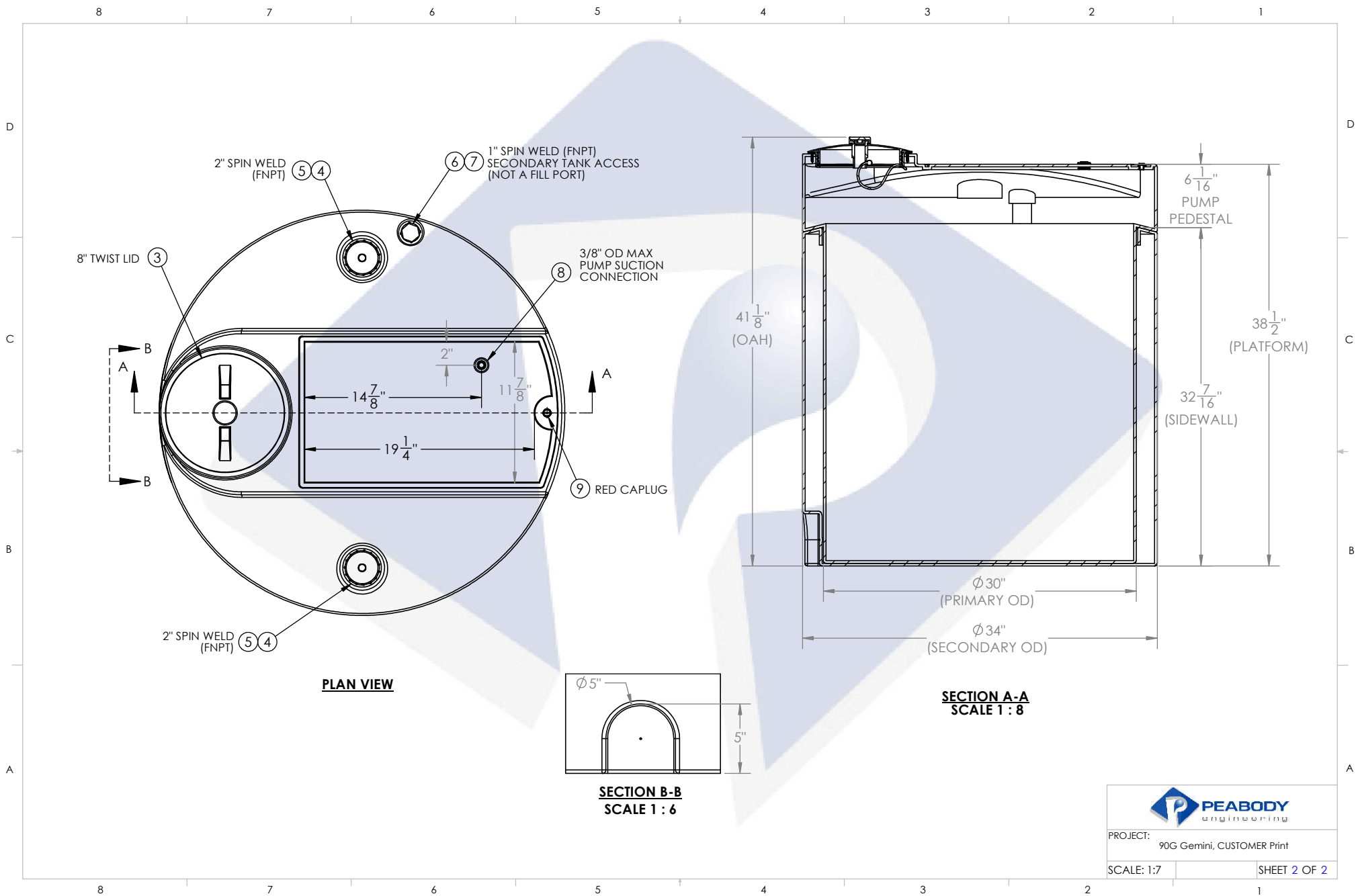
| TOP LEVEL ASSEMBLY | | |
|--------------------|---------------------------------------|------|
| ITEM NO. | DESCRIPTION | QTY. |
| 1 | 90G GEMINI PRIMARY TANK | 1 |
| 2 | 90G GEMINI SECONDARY TANK | 1 |
| 3 | Ø10" OD / 8" ID TWIST LID ASSY | 1 |
| 4 | Ø2" FNPT SPIN WELD FITTING, PE, BLACK | 2 |
| 5 | Ø2" MPT PLUG, PE, BLACK | 2 |
| 6 | Ø1" FNPT SPIN WELD FITTING, PE, BLACK | 1 |
| 7 | Ø1" MPT PLUG, PE, BLACK | 1 |
| 8 | Ø1-1/4" CAPLUG & GROMMET SUB ASSY | 1 |
| 9 | RED CAPLUG / O-RING SUB-ASSY | 1 |
| 10 | MOLD IN GRAPHIC | 1 |

- NOTES:**
1. CAPACITY: 90 GAL. NOMINAL
 2. APPROXIMATE WEIGHT: 84 LBS
 3. TANK MATERIAL: LLDPE W/ UV INHIBITOR
 4. GASKETS: EPDM
 5. SERVICE PRESSURE: ATMOSPHERIC

PROPRIETARY AND CONFIDENTIAL
THE INFORMATION CONTAINED IN THIS DRAWING IS THE SOLE PROPERTY OF PEABODY ENGINEERING. ANY REPRODUCTION IN PART OR AS A WHOLE WITHOUT THE WRITTEN PERMISSION OF PEABODY ENGINEERING IS PROHIBITED.

| | | | | |
|---|-----------------------|--|-------------|---|
| UNLESS OTHERWISE SPECIFIED: | | NAME | DATE | |
| DIMENSIONS ARE IN INCHES TOLERANCES: ±1/4" ANGULAR: ±.5° ONE PLACE DECIMAL: ±.25 TWO PLACE DECIMAL: ±.125 THREE PLACE DECIMAL: ±.063 | | DRAWN | MHS 2/28/17 | |
| TANK MATERIAL: | LLDPE | CHECKED | | PROJECT: GEMINI DUAL CONTAINMENT TANKS |
| INNER TANK S/N: | | ENG APPR. | | CUSTOMER: PEABODY STANDARD |
| OUTER TANK S/N: | | MFG APPR. | | SITE/LOCATION: - |
| CUSTOMER PO# | | Q.A. | | DRAWING#: SEE TABLE |
| DO NOT SCALE DRAWING | CALL FOR PART NUMBERS | MATERIALS: XLPE, PPL, PVDF COLORS: NATURAL, BLUE OR BLACK AVAILABLE WITH FRP WRAP | | SIZE: B DESC: 90 GALLON GEMINI TANK, Ø34" x 41-1/4" SCALE: 1:14 SHEET 1 OF 2 |

8 7 6 5 4 3 2 1



PROJECT: 90G Gemini, CUSTOMER Print

SCALE: 1:7

SHEET 2 OF 2