

8

7

6

5

4

3

2

1

D

C

B

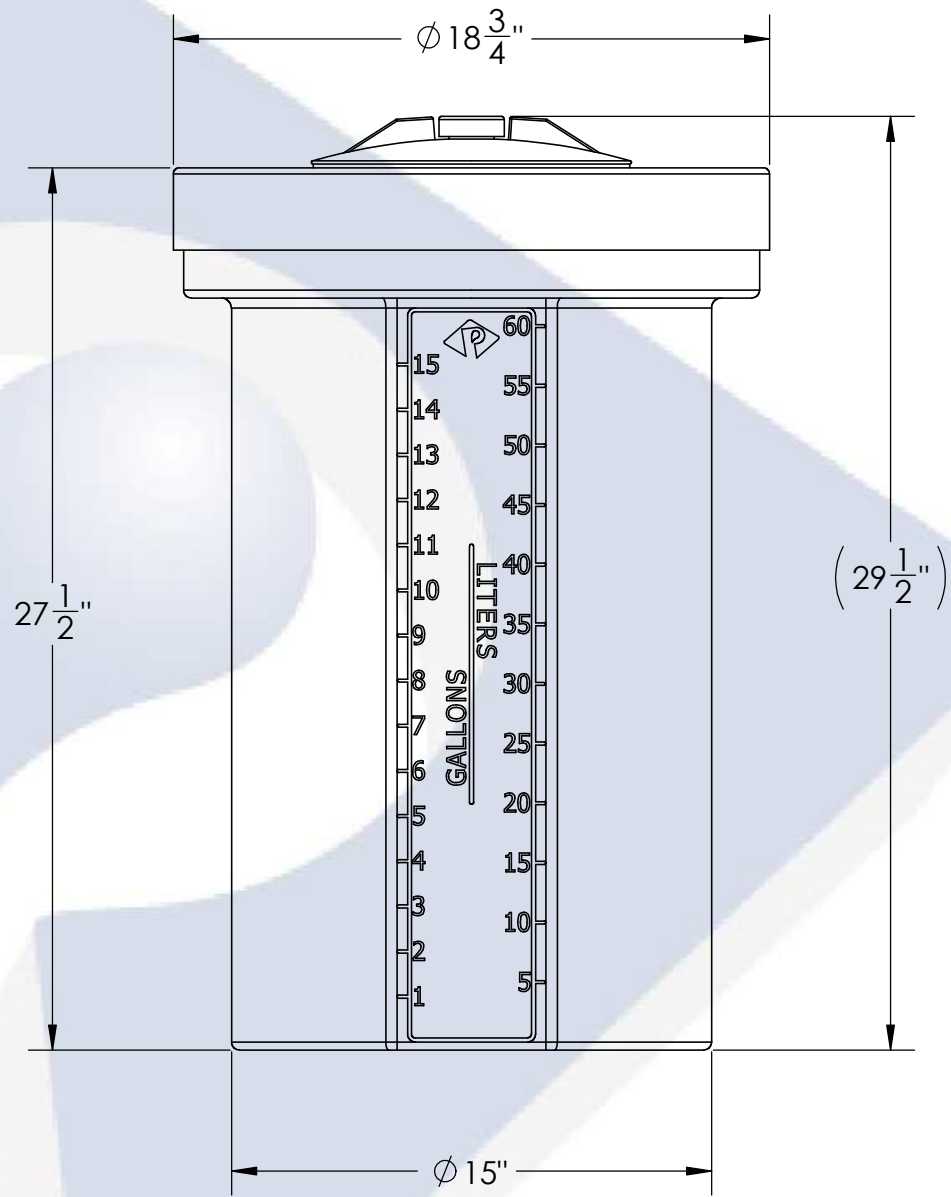
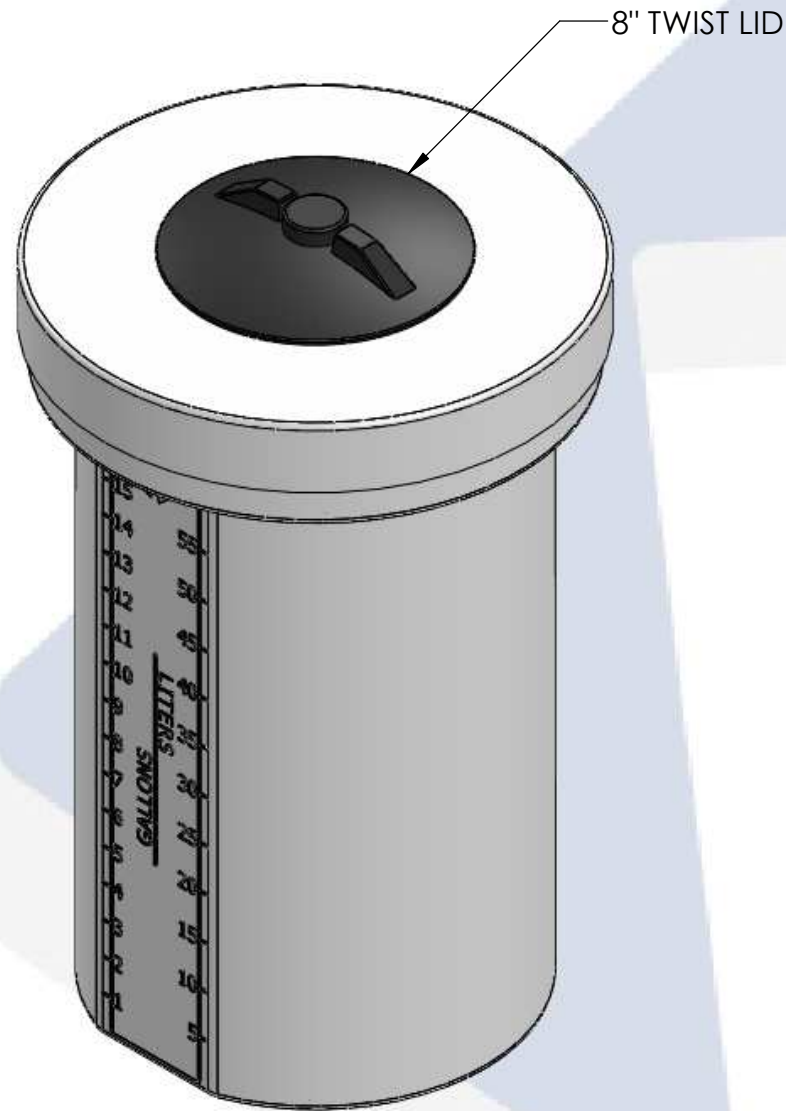
A

D

C

B

A




NOTES:

1. CAPACITY: 15 GAL. NOMINAL
2. APPROXIMATE WEIGHT: 13 LBS
3. TANK MATERIAL: HDLPE W/ UV INHIBITOR
4. SERVICE PRESSURE: ATMOSPHERIC

PROPRIETARY AND CONFIDENTIAL

THE INFORMATION CONTAINED IN THIS DRAWING IS THE SOLE PROPERTY OF PEABODY ENGINEERING. ANY REPRODUCTION IN PART OR AS A WHOLE WITHOUT THE WRITTEN PERMISSION OF PEABODY ENGINEERING IS PROHIBITED.

UNLESS OTHERWISE SPECIFIED:		NAME	DATE	
DIMENSIONS ARE IN INCHES TOLERANCES: ±1/4" ANGULAR: ±.5° ONE PLACE DECIMAL: ±.25 TWO PLACE DECIMAL: ±.125 THREE PLACE DECIMAL: ±.063		DRAWN	RFR	
TANK MATERIAL:	HDPE	CHECKED		PROJECT: 15 GALLON CLOSED TOP TANK ASSEMBLY
INNER TANK S/N:		ENG APPR.		CUSTOMER: PEABODY STANDARD
OUTER TANK S/N:		MFG APPR.		SITE/LOCATION: -
CUSTOMER PO#		Q.A.		DRAWING#: 01-30355 (NATURAL)
DO NOT SCALE DRAWING		ALTERNATIVE VERSIONS		SIZE: B
		MATERIALS: XLPE, PPL, PVDF		DESC. PEABODY 15 GA CLOSED TOP
		COLORS: NATURAL, BLUE OR BLACK		REV. A
		AVAILABLE WITH FRP WRAP		SCALE: 1:6
				SHEET 1 OF 1

8

7

6

5

4

3

2

1