

8

7

6

5

4

3

2

1

D

D

C

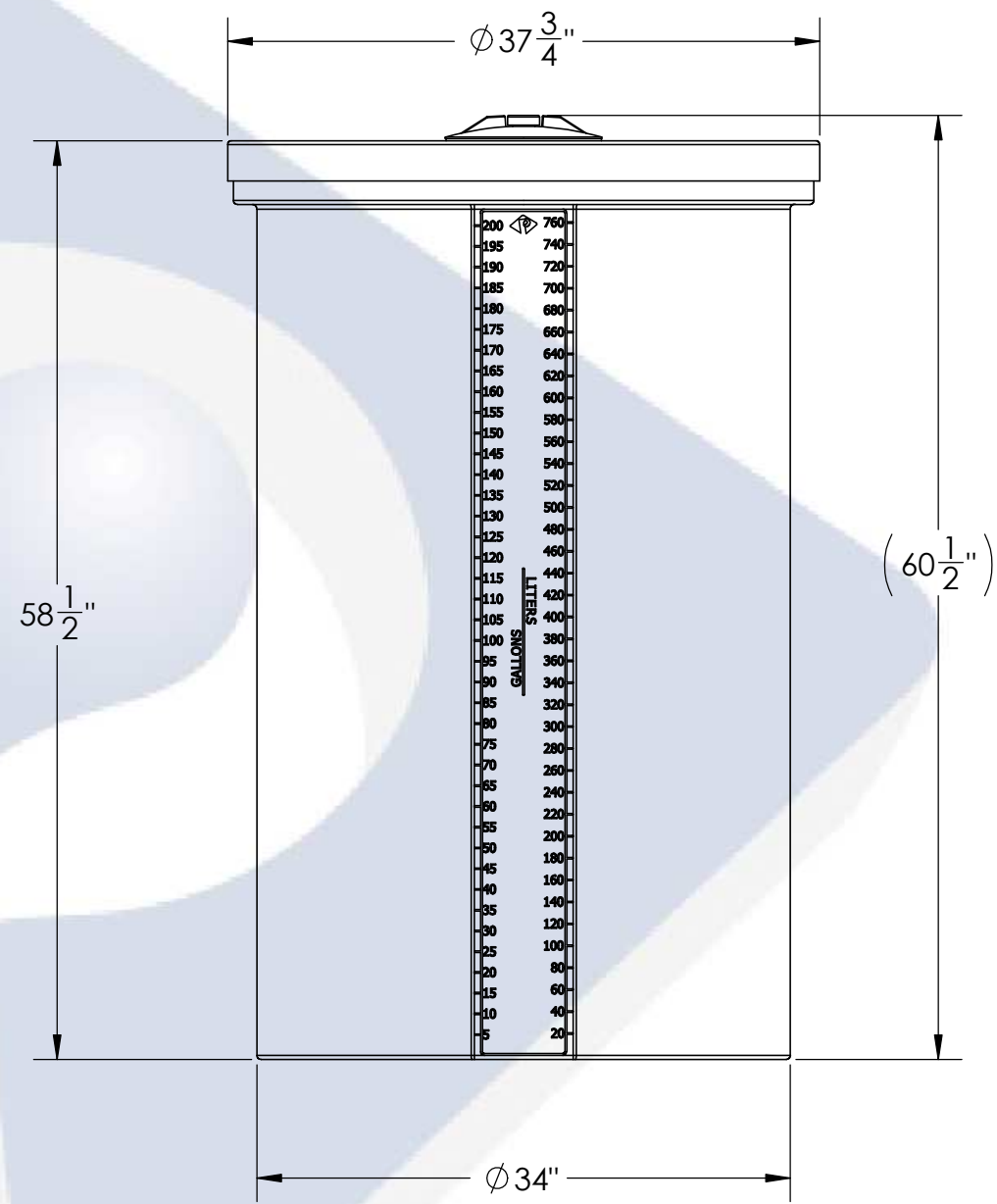
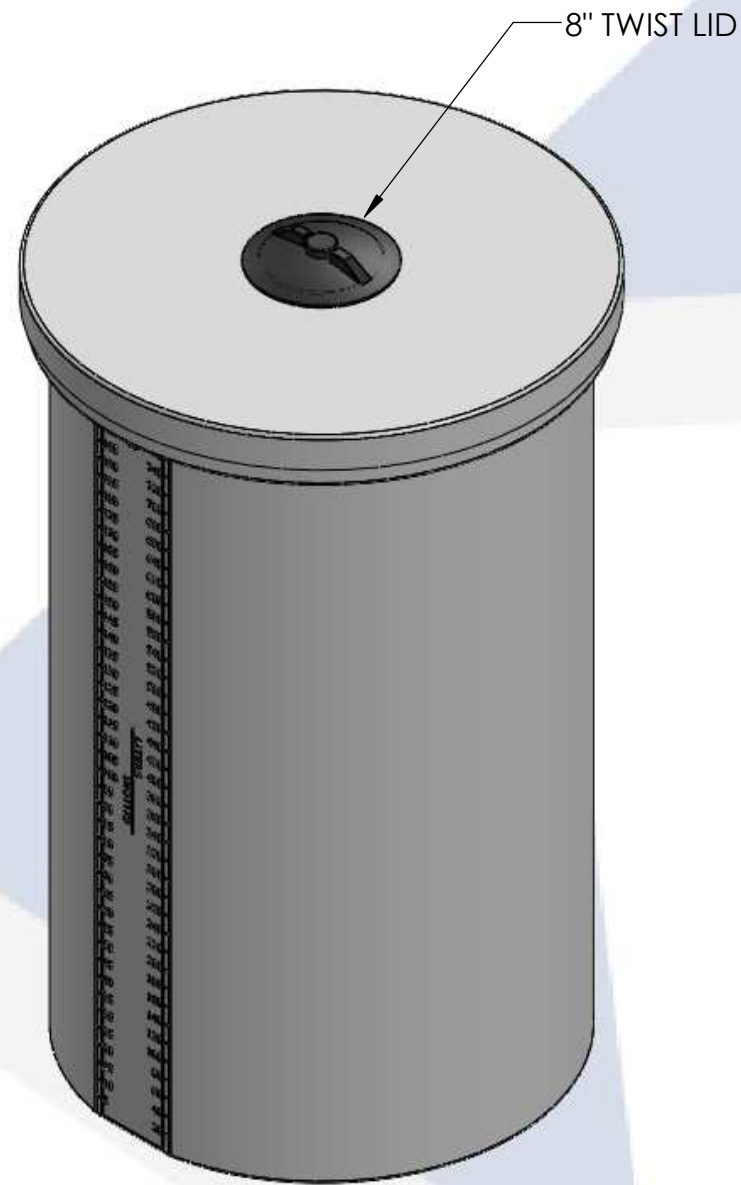
C

B

B

A


A



NOTES:

1. CAPACITY: 200 GAL. NOMINAL
2. APPROXIMATE WEIGHT: 85.32 LBS
3. TANK MATERIAL: HDLPE W/ UV INHIBITOR
4. SERVICE PRESSURE: ATMOSPHERIC

PROPRIETARY AND CONFIDENTIAL
 THE INFORMATION CONTAINED IN THIS DRAWING IS THE SOLE PROPERTY OF PEABODY ENGINEERING. ANY REPRODUCTION IN PART OR AS A WHOLE WITHOUT THE WRITTEN PERMISSION OF PEABODY ENGINEERING IS PROHIBITED.

UNLESS OTHERWISE SPECIFIED:		NAME	DATE		
DIMENSIONS ARE IN INCHES TOLERANCES: ±1/4" ANGULAR: ± .5° ONE PLACE DECIMAL: ± .25 TWO PLACE DECIMAL: ± .125 THREE PLACE DECIMAL: ± .063		DRAWN	MSM		
TANK MATERIAL:	HDPE	CHECKED			PROJECT: 200 GALLON CLOSED TOP TANK ASSEMBLY
INNER TANK S/N:		ENG APPR.			CUSTOMER: PEABODY STANDARD
OUTER TANK S/N:		MFG APPR.			SITE/LOCATION: -
CUSTOMER PO#		Q.A.			DRAWING#: 01-30360 (NATURAL)
DO NOT SCALE DRAWING		ALTERNATIVE VERSIONS		MATERIALS: XLPE, PPL, PVDF	SIZE: B
		COLORS: NATURAL, BLUE OR BLACK		AVAILABLE WITH FRP WRAP	DESC. PEABODY 200 GALLON CLOSED TOP
					REV. A
				SCALE: 1:12	SHEET 1 OF 1