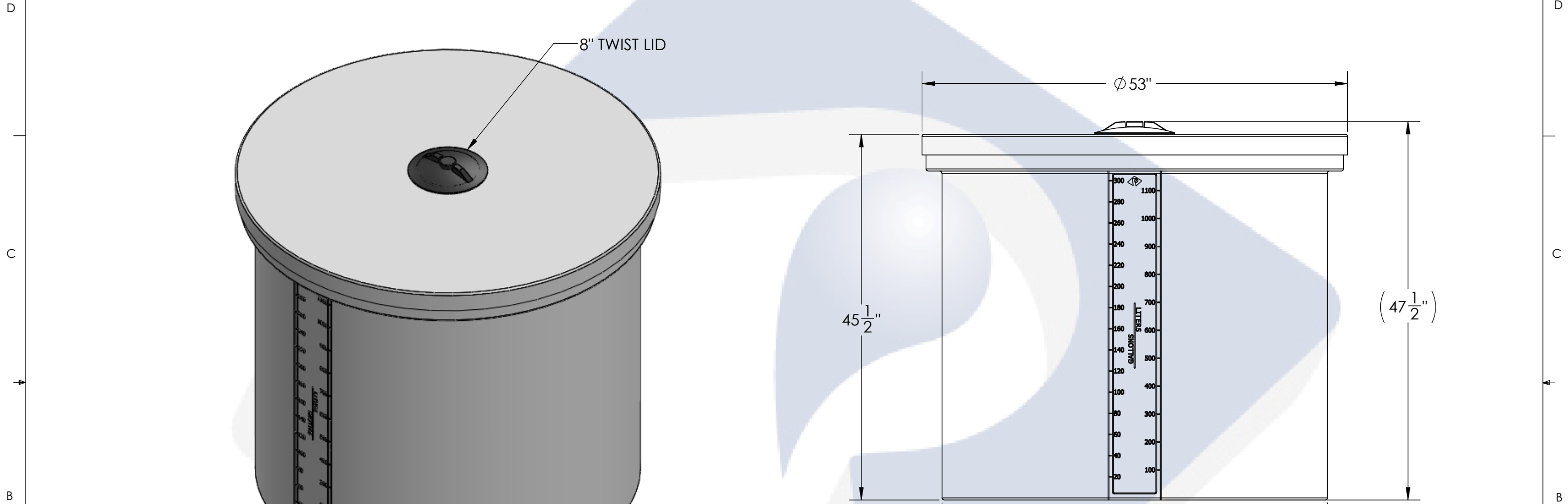


8 7 6 5 4 3 2 1



8" TWIST LID

Ø 53"

45 1/2"

(47 1/2")

Ø 48"

- NOTES:**
1. CAPACITY: 300 GAL. NOMINAL
  2. APPROXIMATE WEIGHT: 144.92 LBS
  3. TANK MATERIAL: HDLPE W/ UV INHIBITOR
  4. SERVICE PRESSURE: ATMOSPHERIC

**PROPRIETARY AND CONFIDENTIAL**  
 THE INFORMATION CONTAINED IN THIS DRAWING IS THE SOLE PROPERTY OF PEABODY ENGINEERING. ANY REPRODUCTION IN PART OR AS A WHOLE WITHOUT THE WRITTEN PERMISSION OF PEABODY ENGINEERING IS PROHIBITED.

UNLESS OTHERWISE SPECIFIED:		NAME	DATE	
DIMENSIONS ARE IN INCHES TOLERANCES: ±1/4" ANGULAR: ± .5° ONE PLACE DECIMAL: ± .25 TWO PLACE DECIMAL: ± .125 THREE PLACE DECIMAL: ± .063		DRAWN	MSM 01-29-14	
TANK MATERIAL:	HDPE	CHECKED		PROJECT: 300 GALLON CLOSED TOP TANK ASSEMBLY
INNER TANK S/N:		ENG APPR.		CUSTOMER: PEABODY STANDARD
OUTER TANK S/N:		MFG APPR.		SITE/LOCATION: -
CUSTOMER PO#		Q.A.		DRAWING#: 01-30361 (NATURAL)
DO NOT SCALE DRAWING		<b>ALTERNATIVE VERSIONS</b> MATERIALS: XLPE, PPL, PVDF COLORS: NATURAL, BLUE OR BLACK AVAILABLE WITH FRP WRAP		SIZE: <b>B</b> DESC.: PEABODY 300 GALLON CLOSED TOP REV.: <b>A</b>
				SCALE: 1:12
				SHEET 1 OF 1

8 7 6 5 4 3 2 1