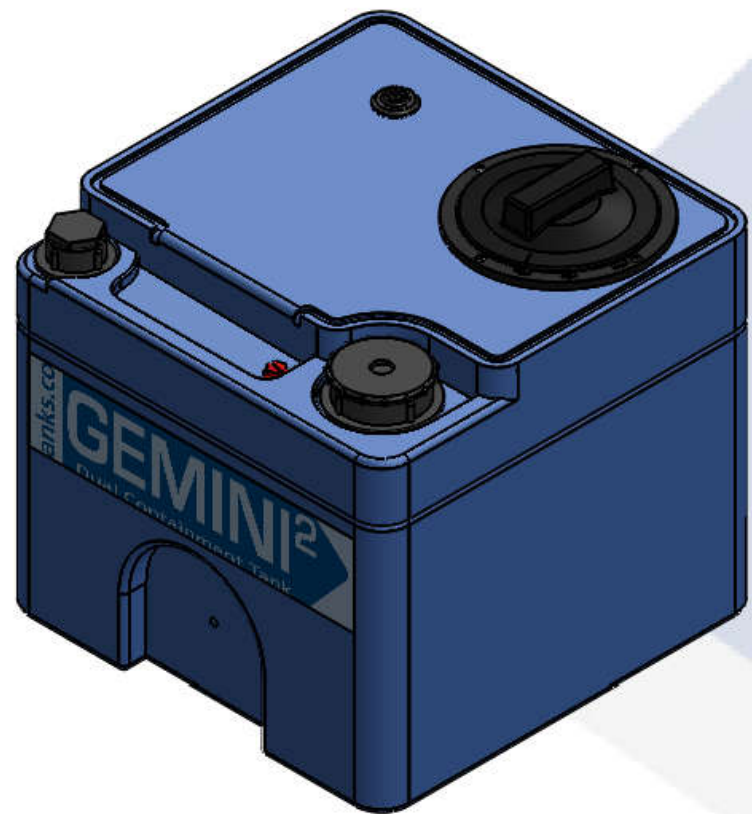
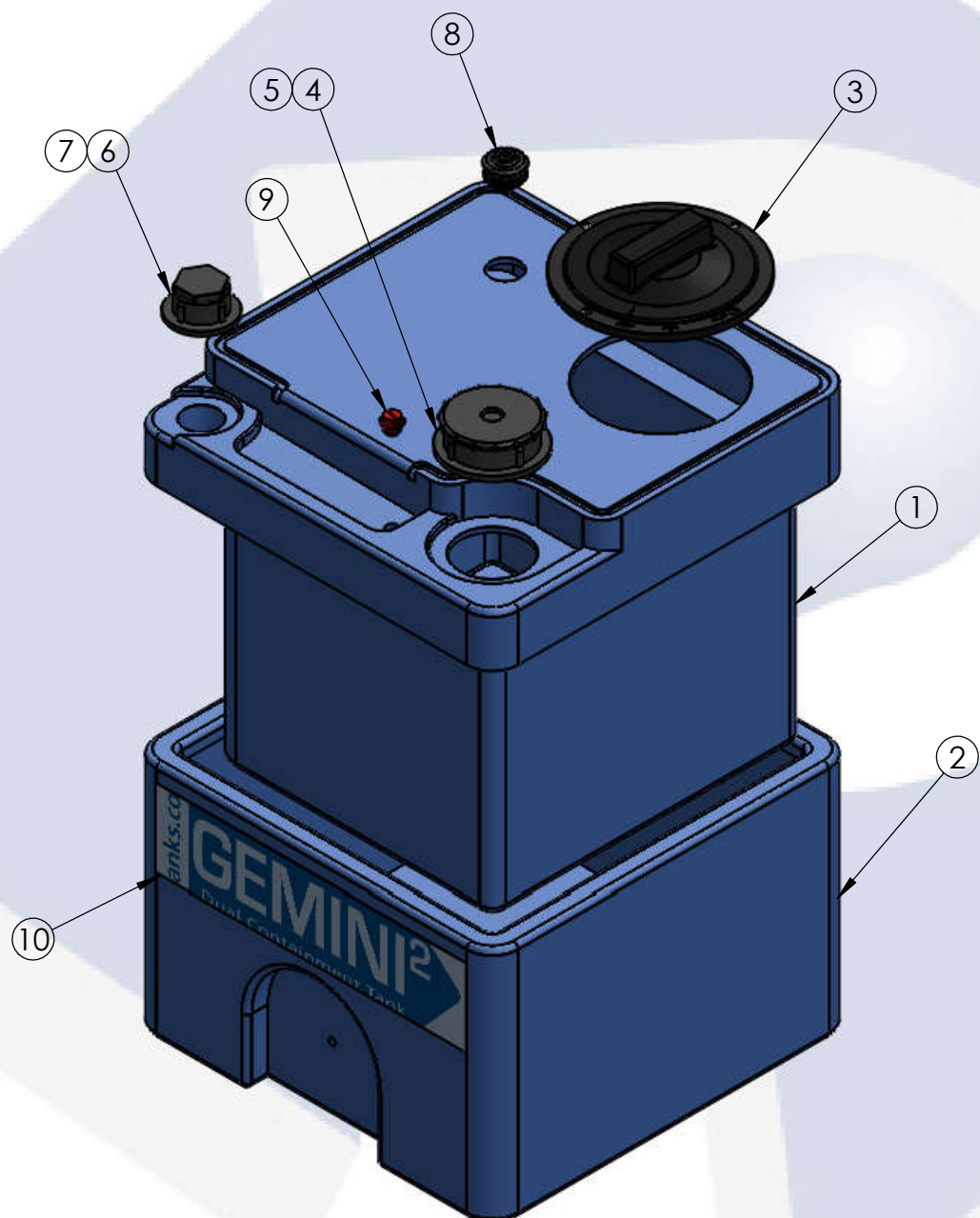


5 GALLON GEMINI ²	PART NUMBER	
	BLUE	NATURAL
STANDARD (1.5 SPG)	01-31922	01-31923
HD (1.9 SPG)	01-31924	01-31925

ALTERNATE CONFIGURATION TO MEET NSF/ANSI STANDARD 61 AVAILABLE



ISOMETRIC VIEW (ASSEMBLED)



ISOMETRIC VIEW (EXPLODED)

TOP LEVEL ASSEMBLY		
ITEM NO.	DESCRIPTION	QTY.
1	5G GEMINI ² , PRIMARY TANK	1
2	5G GEMINI ² , SECONDARY TANK	1
3	Ø6" OD / 4" ID TWIST LID ASSEMBLY	1
4	Ø2" FNPT SPIN WELD FITTING, PE	1
5	Ø2" THREADED PLUG, PE	1
6	Ø1" FNPT SPIN WELD FITTING, PE	1
7	Ø1" THREADED PLUG, PE	1
8	Ø1-1/4" CAPLUG / GROMMET ASSEMBLY	1
9	RED CAPLUG / O-RING ASSEMBLY	1
10	GEMINI ² MOLD IN LOGO	1

- NOTES:**
- CAPACITY: 5 GAL. NOMINAL
 - APPROXIMATE WEIGHT: 10 LBS
 - TANK MATERIAL: LLDPE W/ UV INHIBITOR
 - GASKETS: EPDM
 - SERVICE PRESSURE: ATMOSPHERIC

PROPRIETARY AND CONFIDENTIAL
 THE INFORMATION CONTAINED IN THIS DRAWING IS THE SOLE PROPERTY OF PEABODY ENGINEERING. ANY REPRODUCTION IN PART OR AS A WHOLE WITHOUT THE WRITTEN PERMISSION OF PEABODY ENGINEERING IS PROHIBITED.

UNLESS OTHERWISE SPECIFIED:
 DIMENSIONS ARE IN INCHES
 TOLERANCES: ±1/4"
 ANGULAR: ±.5°
 ONE PLACE DECIMAL: ±.25
 TWO PLACE DECIMAL: ±.125
 THREE PLACE DECIMAL: ±.063

TANK MATERIAL: LLDPE
 INNER TANK S/N:
 OUTER TANK S/N:
 CUSTOMER PO#

DO NOT SCALE DRAWING

NAME	MHS	DATE	02/27/17
DRAWN			
CHECKED			
ENG APPR.			
MFG APPR.			
Q.A.			

ALTERNATIVE VERSIONS

MATERIALS: XLPE, PPL, PVDF
COLORS: NATURAL, BLUE OR BLACK
 AVAILABLE WITH FRP WRAP

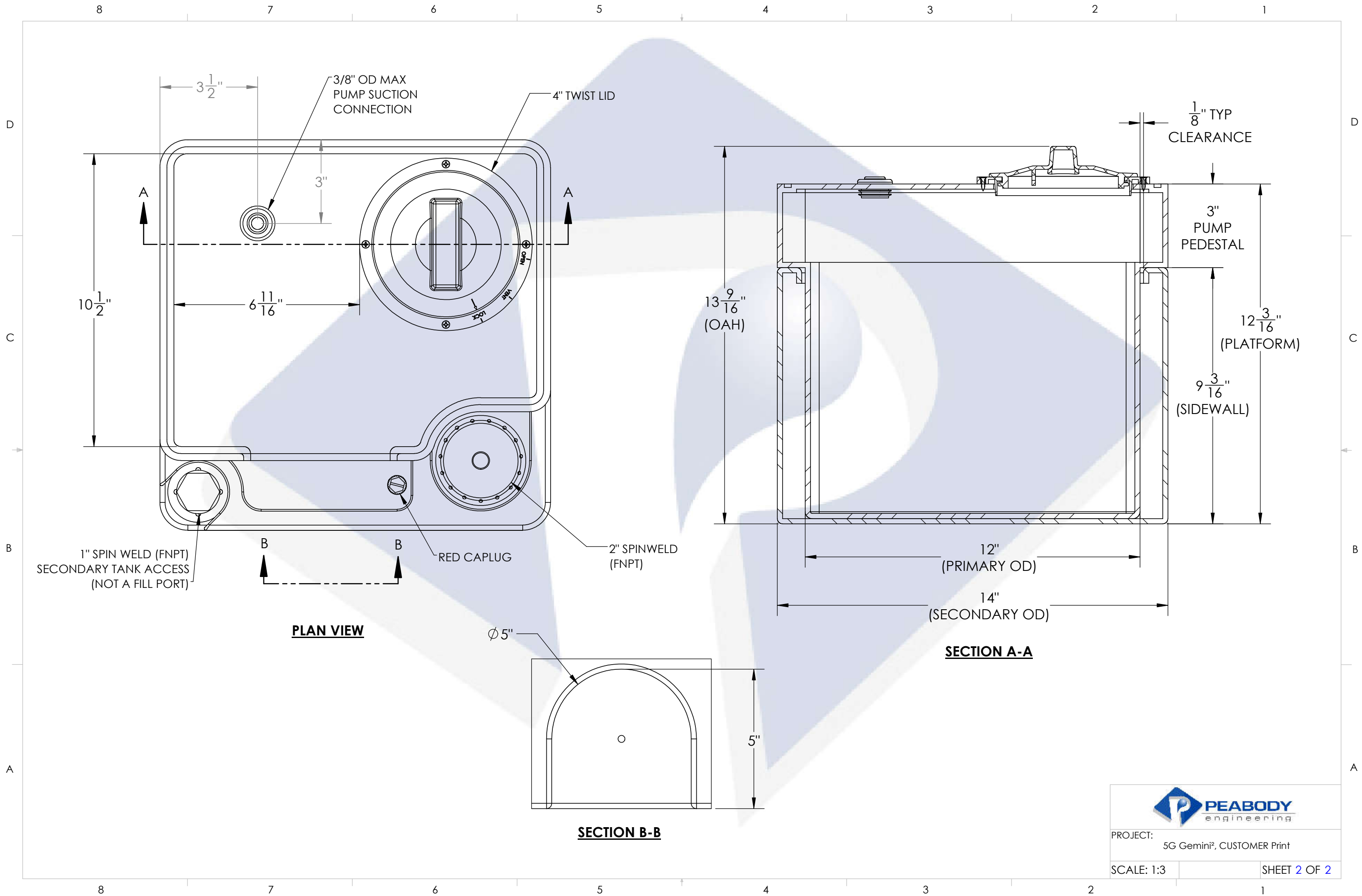
CALL FOR PART NUMBERS

PEABODY ENGINEERING

PROJECT: GEMINI DUAL CONTAINMENT TANKS
 CUSTOMER: PEABODY STANDARD
 SITE/LOCATION: -
 DRAWING#: SEE TABLE

SIZE	DESC.	REV.
B	5 GALLON GEMINI ² TANK, 14" x 14" x 13-1/2"	B

SCALE: 1:5 SHEET 1 OF 2



PROJECT: 5G Gemini², CUSTOMER Print

SCALE: 1:3

SHEET 2 OF 2