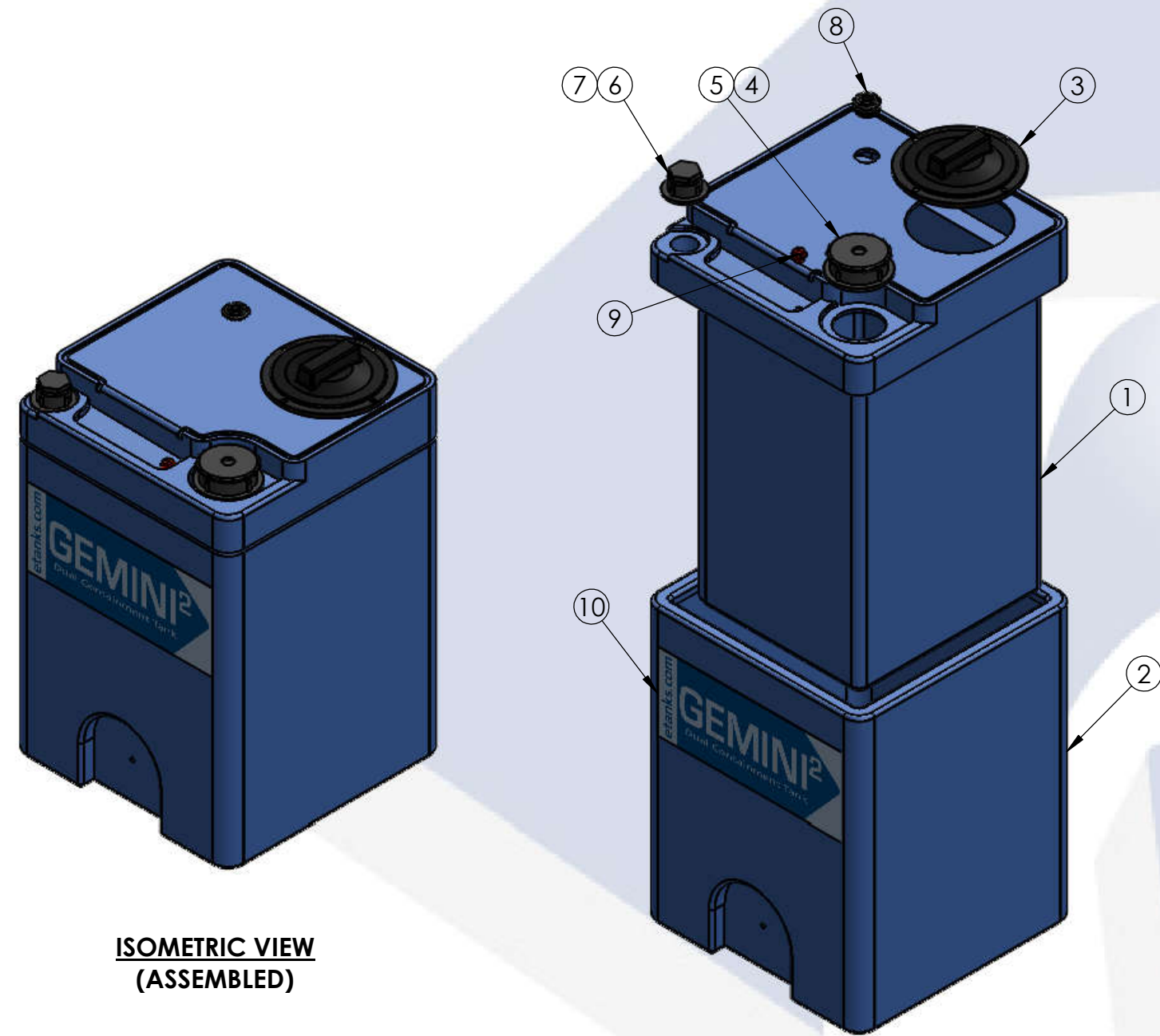


- GALLON GEMINI ²	PART NUMBER	
	BLUE	NATURAL
STANDARD (1.5 SPG)	01-29816	01-29820
HD (1.9 SPG)	01-30044	01-30048



**ISOMETRIC VIEW
(ASSEMBLED)**

**ISOMETRIC VIEW
(EXPLODED)**

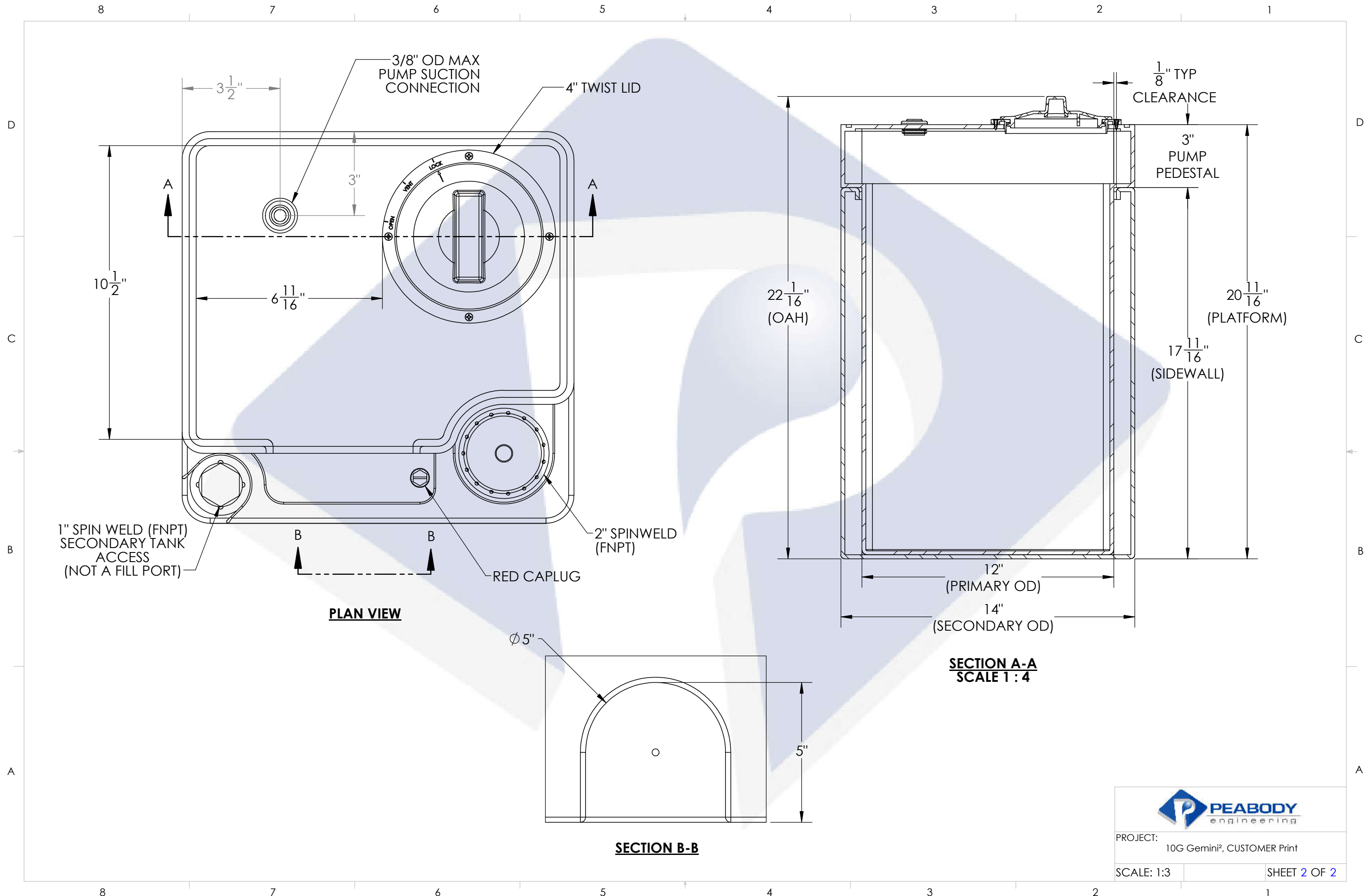
ALTERNATE CONFIGURATION TO MEET
NSF/ANSI STANDARD 61 AVAILABLE

TOP LEVEL ASSEMBLY		
ITEM NO.	DESCRIPTION	QTY.
1	10G GEMINI ² , PRIMARY TANK	1
2	10G GEMINI ² , SECONDARY TANK	1
3	Ø6" OD / 4" ID TWIST LID ASSY	1
4	Ø2" FNPT SPIN WELD FITTING, PE	1
5	Ø2" THREADED PLUG, PE	1
6	Ø1" FNPT SPIN WELD FITTING, PE	1
7	Ø1" THREADED PLUG, PE	1
8	Ø1-1/4" CAPLUG / GROMMET ASSY	1
9	RED CAPLUG / O-RING ASSY	1
10	GEMINI ² MOLD IN LOGO	1

- NOTES:**
- CAPACITY: 10 GAL. NOMINAL
 - APPROXIMATE WEIGHT: 15 LBS
 - TANK MATERIAL: LLDPE W/ UV INHIBITOR
 - GASKET: EPDM
 - SERVICE PRESSURE: ATMOSPHERIC

PROPRIETARY AND CONFIDENTIAL
THE INFORMATION CONTAINED IN THIS DRAWING IS THE SOLE PROPERTY OF PEABODY ENGINEERING. ANY REPRODUCTION IN PART OR AS A WHOLE WITHOUT THE WRITTEN PERMISSION OF PEABODY ENGINEERING IS PROHIBITED.

UNLESS OTHERWISE SPECIFIED:		NAME	DATE	
DIMENSIONS ARE IN INCHES TOLERANCES: ±1/4" ANGULAR: ±.5° ONE PLACE DECIMAL: ±.25 TWO PLACE DECIMAL: ±.125 THREE PLACE DECIMAL: ±.063		DRAWN	MHS 2/24/17	
TANK MATERIAL:	LLDPE	CHECKED		PROJECT: GEMINI ² DUAL CONTAINMENT TANK
INNER TANK S/N:		ENG APPR.		CUSTOMER: PEABODY STANDARD
OUTER TANK S/N:		MFG APPR.		SITE/LOCATION: -
CUSTOMER PO#		Q.A.		DRAWING#: SEE TABLE
DO NOT SCALE DRAWING		ALTERNATIVE VERSIONS MATERIALS: XLPE, PPL, PVDF COLORS: NATURAL, BLUE OR BLACK AVAILABLE WITH FRP WRAP CALL FOR PART NUMBERS		SIZE: B DESC: 10 GALLON GEMINI ² TANK, 14" x 14" x 22" REV. E
		SCALE: 1:7		SHEET 1 OF 2



PROJECT: 10G Gemini², CUSTOMER Print

SCALE: 1:3

SHEET 2 OF 2