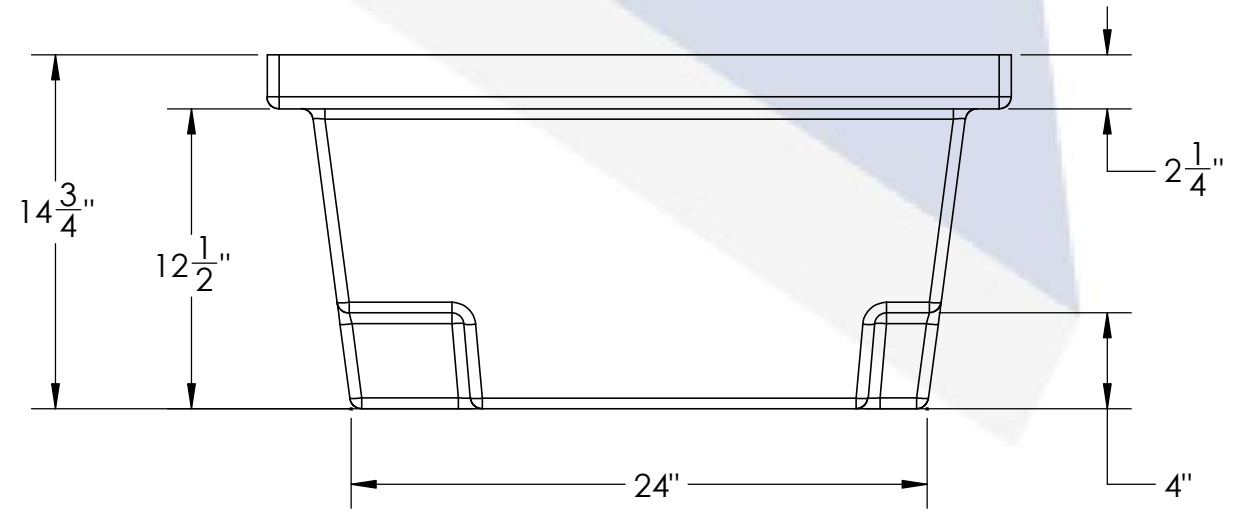
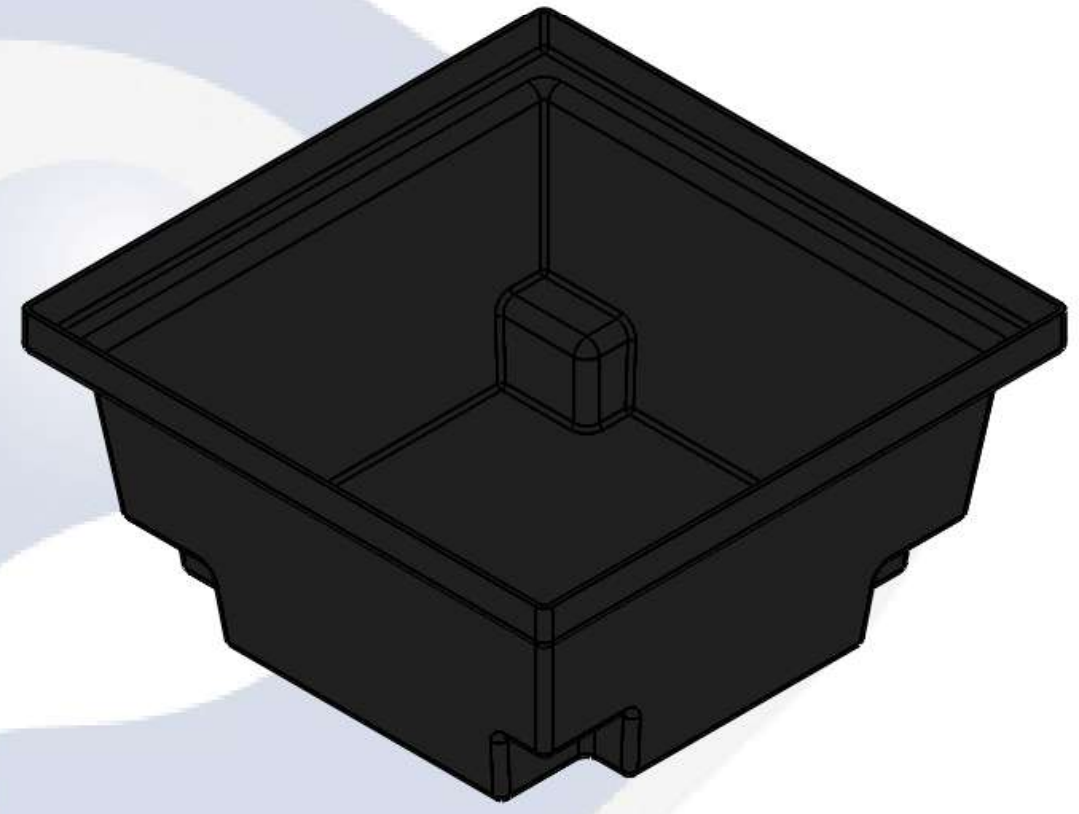
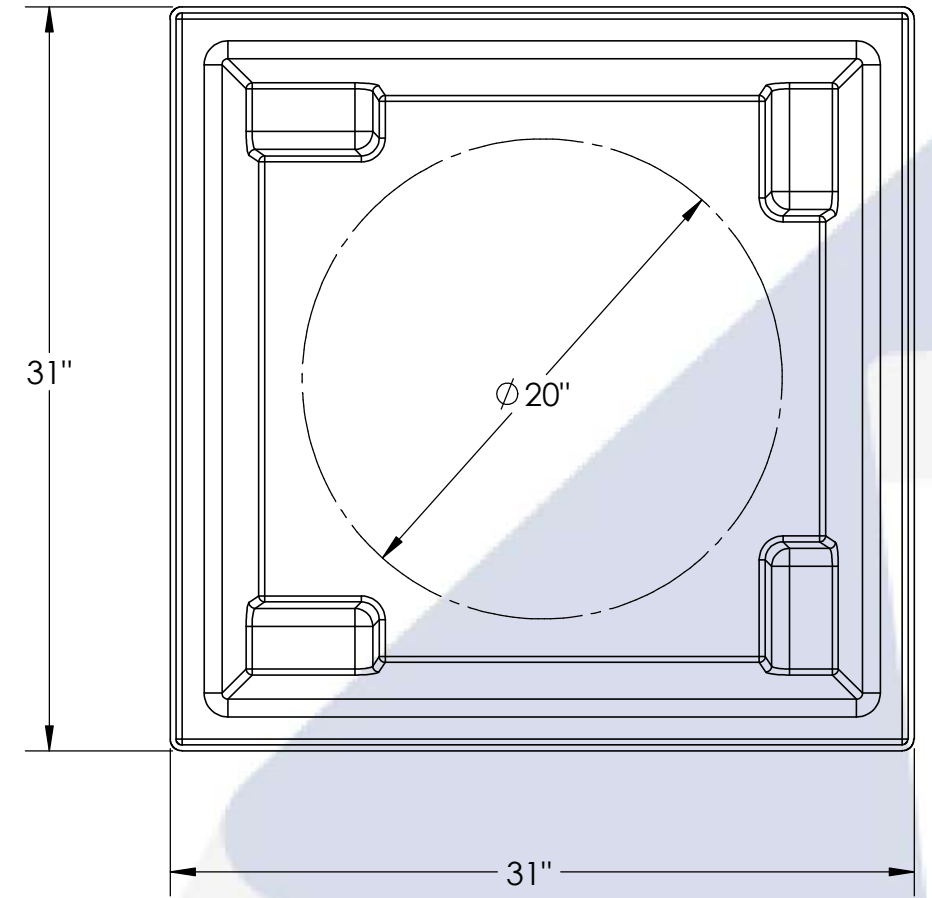


D
C
B
A

D
C
B
A



- NOTES:**
1. CAPACITY: 33.5 GAL. NOMINAL
 2. APPROXIMATE WEIGHT: 19.05 LBS
 3. TANK MATERIAL: LLDPE W/ UV INHIBITOR
 4. SERVICE PRESSURE: ATMOSPHERIC

PROPRIETARY AND CONFIDENTIAL
 THE INFORMATION CONTAINED IN THIS DRAWING IS THE SOLE PROPERTY OF PEABODY ENGINEERING. ANY REPRODUCTION IN PART OR AS A WHOLE WITHOUT THE WRITTEN PERMISSION OF PEABODY ENGINEERING IS PROHIBITED.

UNLESS OTHERWISE SPECIFIED:
 DIMENSIONS ARE IN INCHES
 TOLERANCES: ±1/4"
 ANGULAR: ±.5°
 ONE PLACE DECIMAL: ±.25
 TWO PLACE DECIMAL: ±.125
 THREE PLACE DECIMAL: ±.063

TANK MATERIAL: **LLDPE**

INNER TANK S/N:

OUTER TANK S/N:

CUSTOMER PO#

DO NOT SCALE DRAWING

	NAME	DATE
DRAWN	MSM	9/10/15
CHECKED		
ENG APPR.		
MFG APPR.		
Q.A.		

ALTERNATIVE VERSIONS

MATERIALS: XLPE, PPL, PVDF
COLORS: NATURAL, BLUE OR BLACK
AVAILABLE WITH FRP WRAP

CALL FOR PART NUMBERS



PROJECT:		25G PROCHEM BASIN	
CUSTOMER:		PEABODY STANDARD	
SITE/LOCATION:		-	
DRAWING#:		253-31629	
SIZE	DESC.	TANK (66G CONTAINMENT)	REV.
B	CONTAINMENT BASIN FOR 25 GALLON PROCHEM TANK (66G CONTAINMENT)		A
SCALE: 1:8		SHEET 1 OF 1	