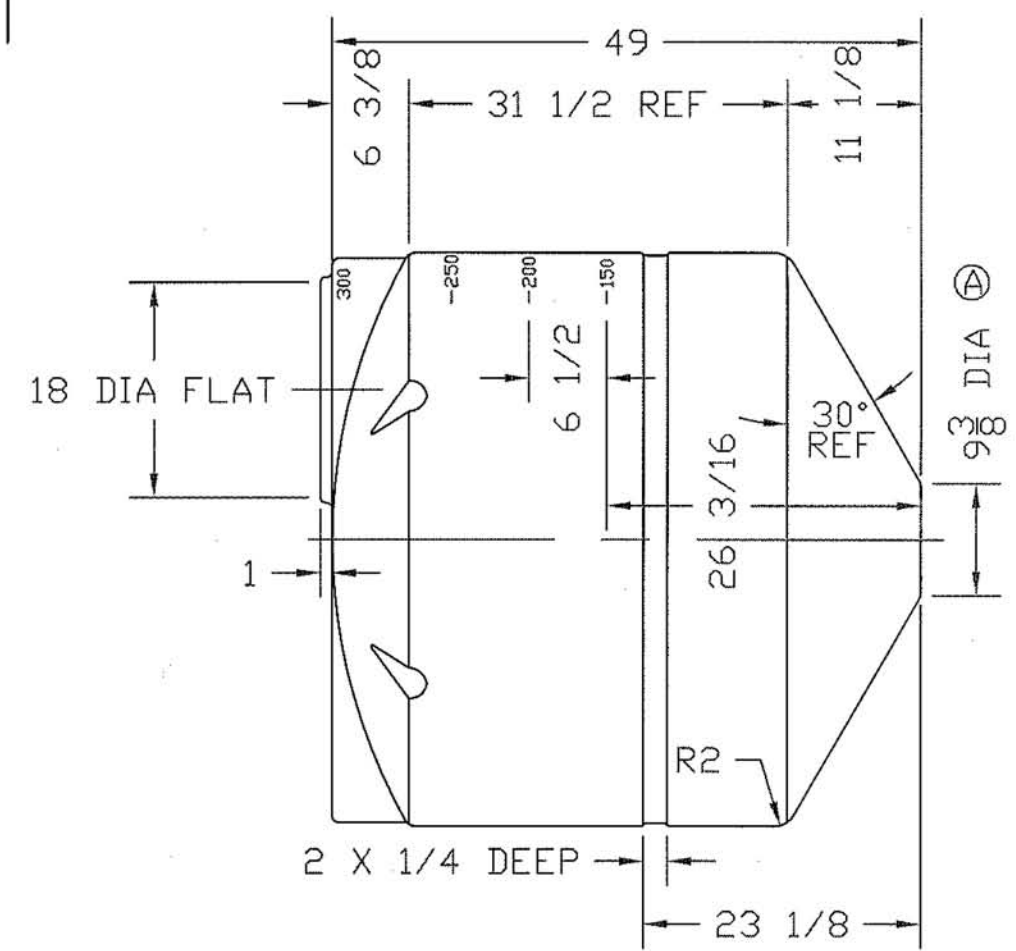
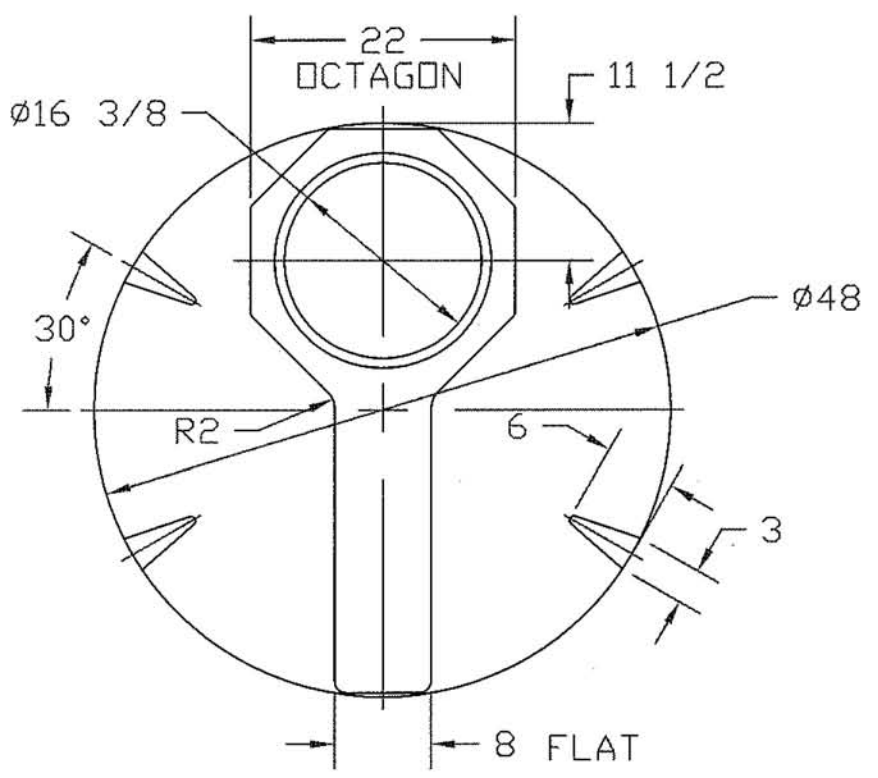



REVISIONS				
ZONE	REV	DESCRIPTION	DATE	APPROVED
	A	DIMENSION ADDED	24 JAN 05	



					
		300 GALLON CONE BOTTOM TANK			
JTP	15APR97	SIZE A	FSCM NO.	DWG NO.	REV A
		SCALE 1/16		SHEET	