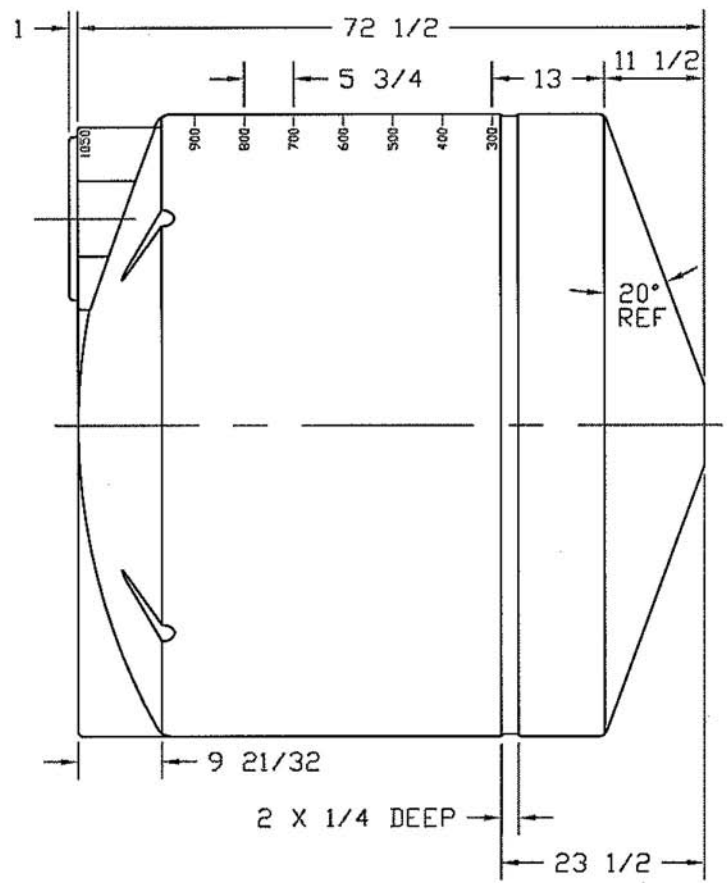
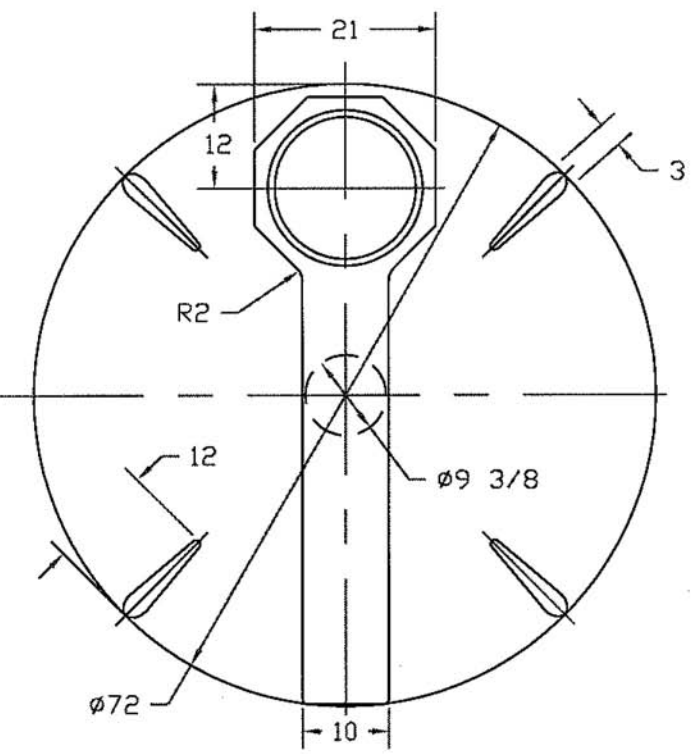



REVISIONS				
ZONE	REV	DESCRIPTION	DATE	APPROVED
	A	ADD TIEDWNS & MIXERMNT	06JUN97	



			
1050 GALLON CONE BOTTOM TANK			
JTP	06JUN97	SIZE B	FSCM NO.
		DWG NO.	REV A
		SCALE 1/16	SHEET