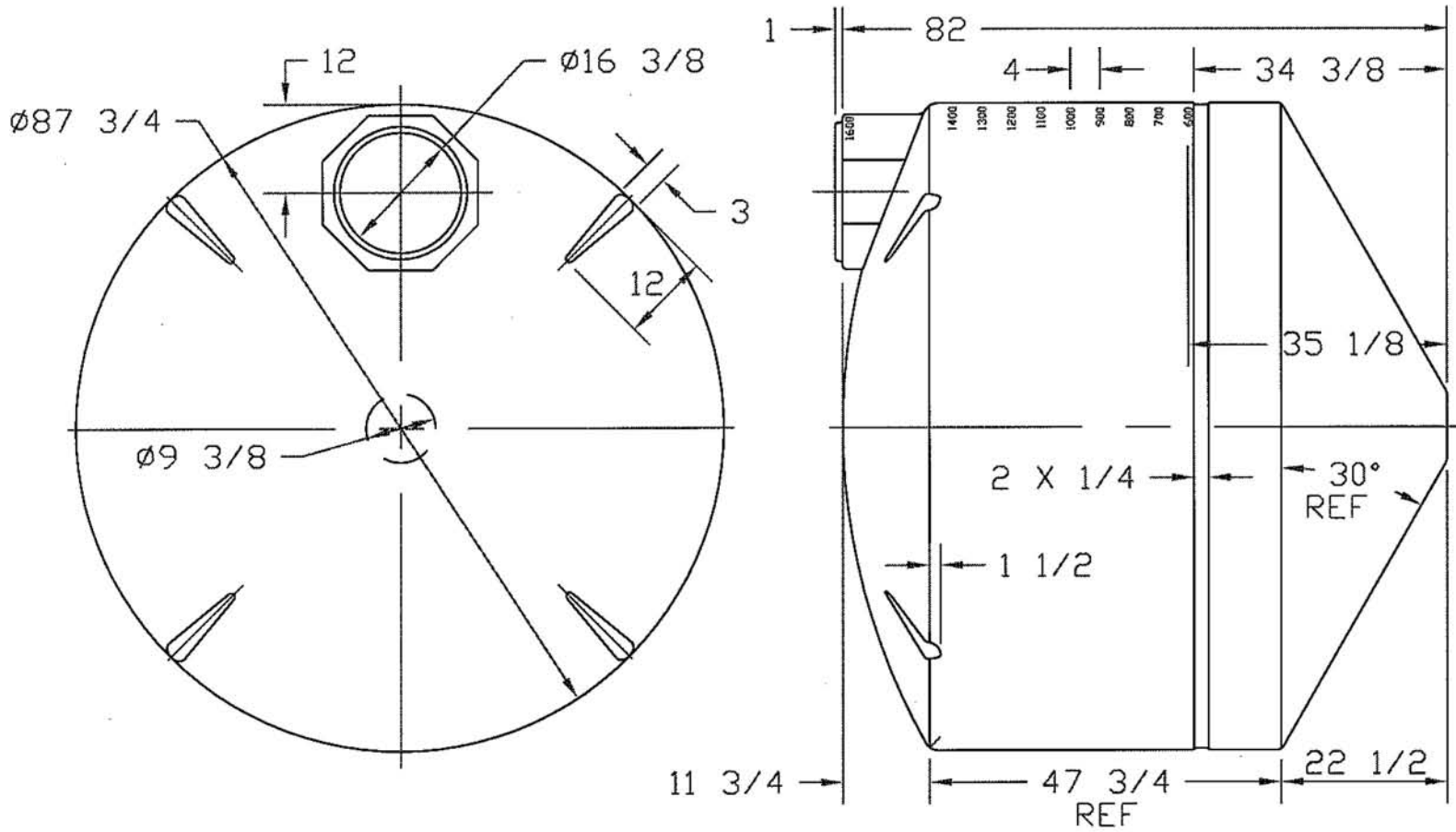



REVISIONS				
ZONE	REV	DESCRIPTION	DATE	APPROVED



					
		<h2>1600 GALLON CONE BOTTOM TANK</h2>			
JTP	13MAY97	SIZE A	FSCM NO.	DWG NO.	REV
		SCALE 1/24			SHEET